

2102087-1 ✓ ACTIVE

## Fortis Zd

TE Internal #: 2102087-1

High Speed Backplane Connectors, Board-to-Board, 60 Position, 6 Row, 10 Column, PCB Mount Header, Traditional Backplane, Right Angle

[View on TE.com >](#)



Connectors > PCB Connectors > Backplane Connectors > High Speed Connectors



Connector System: **Board-to-Board**

Number of Positions: **60**

Row-to-Row Spacing: **1.4 mm [ .05 in ]**

Mating Alignment: **Without**

Number of Rows: **6**

### Features

#### Product Type Features

Connector System	Board-to-Board
PCB Connector Assembly Type	PCB Mount Header
Shroud Style	Partially Shrouded
Connector & Contact Terminates To	Printed Circuit Board

#### Configuration Features

Number of Positions	60
Number of Rows	6
Number of Columns	10
Backplane Architecture	Traditional Backplane
PCB Mount Orientation	Right Angle
Guide Location	Center

#### Contact Features

Contact Current Rating (Max)	1.5 A
------------------------------	-------

#### Mechanical Attachment

Mating Alignment	Without
Connector Mounting Type	Panel Mount

#### Housing Features

Number of Shrouded Sides	2
--------------------------	---



Centerline (Pitch) .08 mm[1.9 in]

### Dimensions

Row-to-Row Spacing 1.4 mm[.05 in]

### Usage Conditions

Operating Temperature Range -65 – 125 °C[-85 – 257 °F]

### Operation/Application

Circuit Application Signal

## Product Compliance

[For compliance documentation, visit the product page on TE.com>](#)

EU RoHS Directive 2011/65/EU	Not Compliant
EU ELV Directive 2000/53/EC	Not Compliant
China RoHS 2 Directive MIIT Order No 32, 2016	Restricted Materials Above Threshold
EU REACH Regulation (EC) No. 1907/2006	Current ECHA Candidate List: JUNE 2022 (224) Candidate List Declared Against: JAN 2021 (211) SVHC > Threshold: Pb (2% in plating ) <b>Article Safe Usage Statements:</b> Do not eat, drink or smoke when using this product. Wash thoroughly after handling. Recycle if possible and dispose of the article by following all applicable governmental regulations relevant to your geographic location.
Halogen Content	Low Halogen - Br, Cl, F, I < 900 ppm per homogenous material. Also BFR/CFR/PVC Free
Solder Process Capability	Not applicable for solder process capability

#### Product Compliance Disclaimer

This information is provided based on reasonable inquiry of our suppliers and represents our current actual knowledge based on the information they provided. This information is subject to change. The part numbers that TE has identified as EU RoHS compliant have a maximum concentration of 0.1% by weight in homogenous materials for lead, hexavalent chromium, mercury, PBB, PBDE, DBP, BBP, DEHP, DIBP, and 0.01% for cadmium, or qualify for an exemption to these limits as defined in the Annexes of Directive 2011/65/EU (RoHS2). Finished electrical and electronic equipment products will be CE marked as required by Directive 2011/65/EU. Components may not be CE marked. Additionally, the part numbers that TE has identified as EU ELV compliant have a maximum concentration of 0.1% by weight in homogenous materials for lead, hexavalent chromium, and mercury, and 0.01% for cadmium, or qualify for an exemption to these limits as defined in the Annexes of Directive 2000/53/EC (ELV). Regarding the REACH Regulation, the information TE provides on SVHC in articles for this part number is based on the latest European Chemicals Agency (ECHA) 'Guidance on requirements for substances in articles' posted at this URL: <https://echa.europa.eu/guidance-documents/guidance-on-reach>

## Customers Also Bought



TE Part #3-1879073-3  
THS10 100R 5%



TE Part #1053354-1  
2062 0000 00,SMA PCB VERT JACK



TE Part #532448-5  
HDI PIN ASSY 4 ROW 160 POS



TE Part #458497-000  
TXR40AB00-1410BI



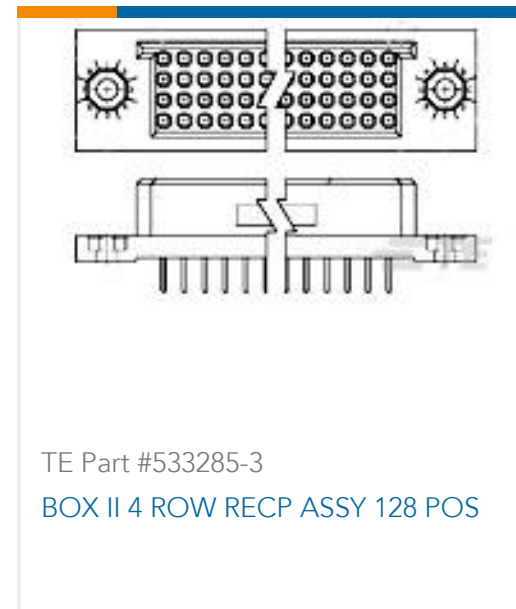
TE Part #2155384003  
ZHTM-12/6-0-SP



TE Part #776273-5  
14POS,AMPSEAL,SOC HSG ASSY,SLD,  
COD 5



TE Part #YACT26JA98SAV00100  
STRAIGHT PLUG



TE Part #533285-3  
BOX II 4 ROW RECP ASSY 128 POS



TE Part #2102096-2  
Fortis Zd 2Pr 20Col R/A Cent Module  
Assy



TE Part #YCTD126E01AC015000  
MODULE ASSY

## Documents

### Product Drawings

[Fortis Zd 2Pr 10Col R/A Cent Module Assy](#)

English

### CAD Files

[3D PDF](#)

3D

Customer View Model

[ENG\\_CVM\\_CVM\\_2102087-1\\_B.2d\\_dxf.zip](#)

English

Customer View Model

[ENG\\_CVM\\_CVM\\_2102087-1\\_B.3d\\_igs.zip](#)

English

Customer View Model

[ENG\\_CVM\\_CVM\\_2102087-1\\_B.3d\\_stp.zip](#)

English

By downloading the CAD file I accept and agree to the [Terms and Conditions](#) of use.

### Datasheets & Catalog Pages



## Fortis Zd LRM

English

---

## Product Specifications

### Application Specification

English