

207376-1 ✓ ACTIVE

AMP | AMP Metrimate

TE Internal #: 207376-1

Rectangular Connector Housings, Wire-to-Board / Wire-to-Wire, 6 Position, .197 in [5 mm] Centerline, 1 Row, PA 66, Receptacle, Pin, AMP Metrimate

[View on TE.com >](#)



Connectors > Rectangular Connectors > Rectangular Connector Housings



Connector System: **Wire-to-Board, Wire-to-Wire**

Number of Positions: **6**

Centerline (Pitch): **5 mm [.197 in]**

Row-to-Row Spacing: **5 mm [.197 in]**

Number of Rows: **1**

Features

Product Type Features

Insertion Force Type	Normal
Connector System	Wire-to-Board, Wire-to-Wire
Connector & Housing Type	Receptacle
Sealable	No
Connector & Contact Terminates To	Printed Circuit Board, Wire & Cable
Connector Type	Housing
Product Type	Connector
Wire/Cable Type	Discrete Wire
Wire Type	Stranded

Configuration Features

Number of Positions	6
Number of Rows	1

Electrical Characteristics

Operating Voltage	600 VDC
-------------------	---------



Contact Features

Contact Layout	Inline
Contact Type	Pin
Contact Current Rating (Max)	14 A

Mechanical Attachment

Panel Mount Feature	Without
Connector Mounting Type	Cable Mount (Free-Hanging)

Housing Features

Centerline (Pitch)	5 mm [.197 in]
Housing Material	PA 66
Housing Color	Black

Dimensions

Row-to-Row Spacing	5 mm [.197 in]
Length	41.3 mm
Width	12.32 mm

Usage Conditions

Operating Temperature Range	-55 – 130 °C [-67 – 266 °F]
-----------------------------	-----------------------------

Operation/Application

Circuit Application	Power & Signal
For Use With	Plug Housing

Industry Standards

Agency/Standard	CSA, UL
CSA File Number	LR16455
VDE Tested	Yes
UL File Number	E28476
UL Flammability Rating	UL 94V-0
UL Rating	Certified, Recognized

Packaging Features

Packaging Quantity	250
Packaging Method	Carton

Product Compliance

[For compliance documentation, visit the product page on TE.com>](#)

EU RoHS Directive 2011/65/EU	Compliant
EU ELV Directive 2000/53/EC	Compliant
China RoHS 2 Directive MIIT Order No 32, 2016	No Restricted Materials Above Threshold
EU REACH Regulation (EC) No. 1907/2006	Current ECHA Candidate List: JUNE 2022 (224) Candidate List Declared Against: JAN 2022 (223) SVHC > Threshold: Not Yet Reviewed
Halogen Content	Not Low Halogen - contains Br or Cl > 900 ppm.
Solder Process Capability	Not applicable for solder process capability

Product Compliance Disclaimer

This information is provided based on reasonable inquiry of our suppliers and represents our current actual knowledge based on the information they provided. This information is subject to change. The part numbers that TE has identified as EU RoHS compliant have a maximum concentration of 0.1% by weight in homogenous materials for lead, hexavalent chromium, mercury, PBB, PBDE, DBP, BBP, DEHP, DIBP, and 0.01% for cadmium, or qualify for an exemption to these limits as defined in the Annexes of Directive 2011/65/EU (RoHS2). Finished electrical and electronic equipment products will be CE marked as required by Directive 2011/65/EU. Components may not be CE marked. Additionally, the part numbers that TE has identified as EU ELV compliant have a maximum concentration of 0.1% by weight in homogenous materials for lead, hexavalent chromium, and mercury, and 0.01% for cadmium, or qualify for an exemption to these limits as defined in the Annexes of Directive 2000/53/EC (ELV). Regarding the REACH Regulation, the information TE provides on SVHC in articles for this part number is based on the latest European Chemicals Agency (ECHA) 'Guidance on requirements for substances in articles' posted at this URL: <https://echa.europa.eu/guidance-documents/guidance-on-reach>

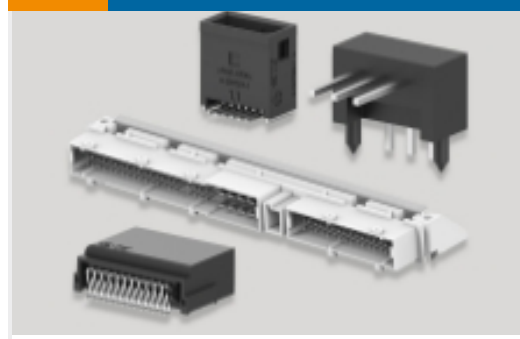
Compatible Parts

 <p>TE Part # 207377-1 HSG,PLUG 6 POSN,METRIMATE</p>	 <p>TE Part # 207378-6 METRIMATE PIN HEADER ASSY,6P</p>	 <p>TE Part # 207611-6 SKT HDR ASSY,6P,MMATE LF</p>	 <p>TE Part # 207611-7 SKT HDR ASSY,6P,MMATE LF</p>
 <p>TE Part # 207610-7 SKT HDR ASSY,6P,MMATE LF</p>	 <p>TE Part # 207378-7 METRIMATE PIN HEADER ASSY,6P</p>	 <p>TE Part # 207610-6 SKT HDR ASSY,6 POSN,METRIMATE</p>	

Also in the Series | AMP Metrimate



Insertion & Extraction Tools(1)



PCB Headers & Receptacles(83)



Rectangular Boots & Strain Relief(5)



Rectangular Connector Hardware(3)



Rectangular Connector Housings(35)



Rectangular Connector Keying Plugs(1)



Rectangular Contact Inserts(4)



Rectangular Power Connectors(2)



Standard Rectangular Connectors(5)

Customers Also Bought



TE Part #1658612-2
25 POS HDF RCPT, MS, LEAD FREE



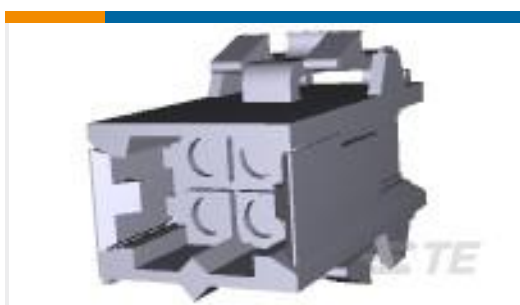
TE Part #66507-3
20 DF PIN



TE Part #205839-3
CPC PLUG ASSEMBLY SIZE 17-28



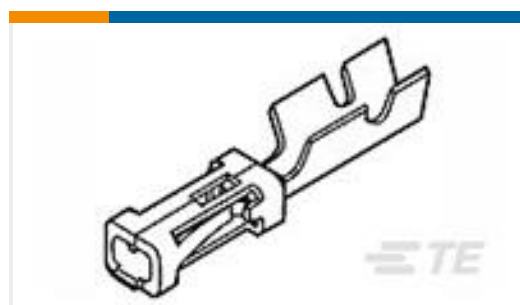
TE Part #212014-1
CONTACT,SKT,PWR 8



TE Part #207016-1
4 POS SQ GRID METRIMATE RCPT



TE Part #794187-1
03P MINI UMNL2 CAP HSG UL94V0



TE Part #87666-2
MOD IV RECP PLTD 30 SEL



TE Part #5745171-5
AMPL CBL CLMP KIT SZ 1



Documents

Product Drawings

HSG,RECEPT 6 POSN,METRIMATE

English

CAD Files

3D PDF

3D

Customer View Model

[ENG_CVM_CVM_207376-1_AD.2d_dxf.zip](#)

English

Customer View Model

[ENG_CVM_CVM_207376-1_AD.3d_igs.zip](#)

English

Customer View Model

[ENG_CVM_CVM_207376-1_AD.3d_stp.zip](#)

English

3D PDF

English

Customer View Model

[ENG_CVM_207376-1_C.3d_igs.zip](#)

English

Customer View Model

[ENG_CVM_207376-1_C.3d_stp.zip](#)

English

Customer View Model

[ENG_CVM_207376-1_C.2d_dxf.zip](#)

English

By downloading the CAD file I accept and agree to the [Terms and Conditions](#) of use.

Datasheets & Catalog Pages

METRIMATE_PIN_SOCKET_CATALOG

English

Product Specifications

Application Specification

English



Application Specification

English

METRIMATE Self-Locking Connectors

Japanese

Application Specification

Japanese

Product Environmental Compliance

[MD_207376-1_12172015626_dmtec](#)

English

[MD_207376-1_12172015626_dmtec](#)

English

Agency Approvals

UL Report

English