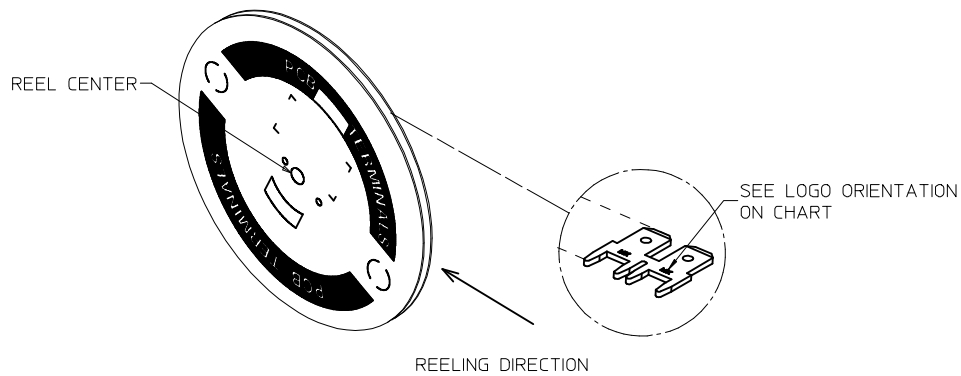
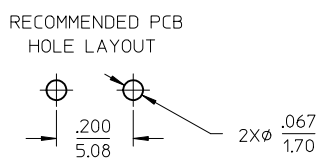
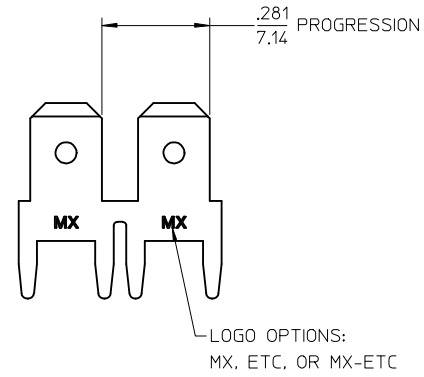
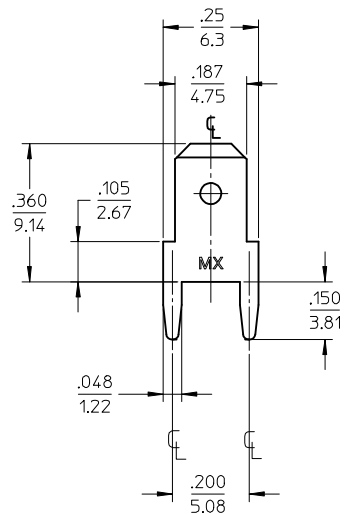
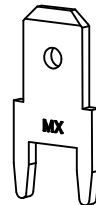


MATERIAL NUMBER	ENGINEERING NUMBER	CARRIER	TAB THICKNESS	LOGO ORIENTATION
197084003	19708-4003	STRIP	.020/0.51	IN
197084013	19708-4013	STRIP	.032/0.81	
197084015	19708-4015	STRIP	.032/0.81	
197084001	19708-4001	LOOSE	.020/0.51	-
197084011	19708-4011	LOOSE	.032/0.81	-

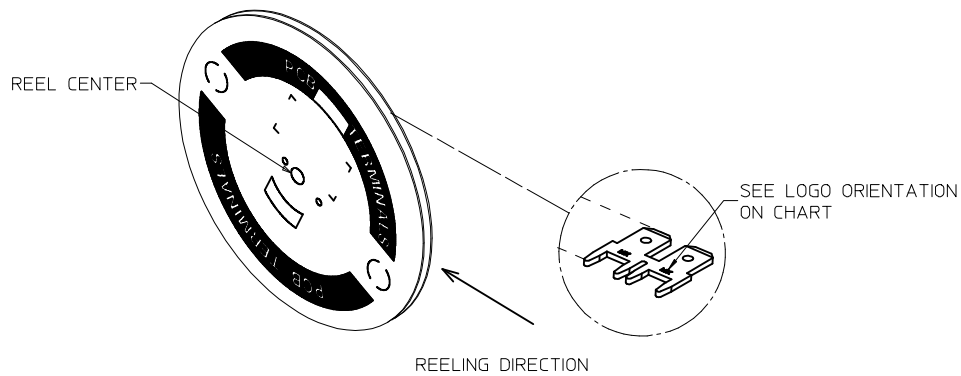
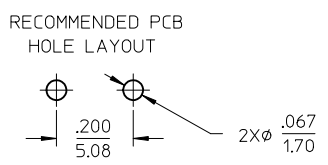
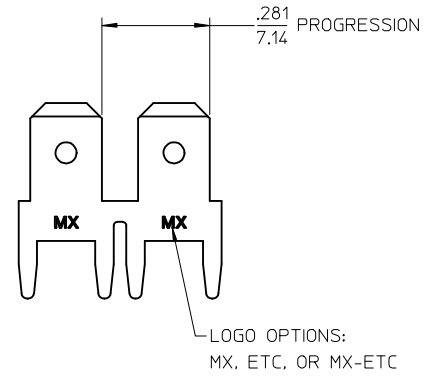
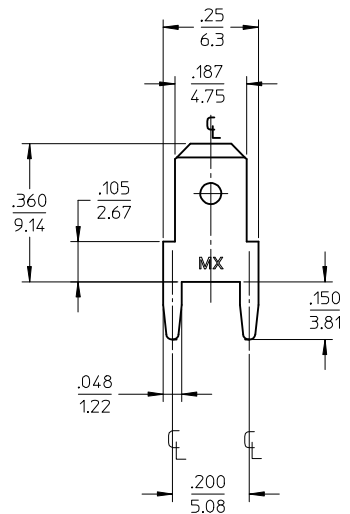
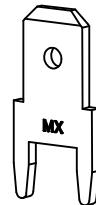


(J1)
NOTES:

1. BARE EDGES PERMISSIBLE AT CARRIER CUT OFF.
2. MATERIAL: BRASS C26000
3. MATERIAL THICKNESS: SEE CHART
4. TAB CONFORMS TO NEMA SPECIFICATIONS.
5. ALL DIMENSIONS AND NOTES REFERENCE UNLESS OTHERWISE NOTED.
6. PLATING: MATTE TIN, 150μN/3.81μmm MINIMUM THICKNESS OVER NICKEL 50μN/1.25μmm MINIMUM THICKNESS.
7. REF.: 9,000 MINIMUM PARTS PER REEL, REEL HAS 14" DIAMETER REEL WITH A 1.25" DIAMETER CENTER HOLE.
8. PART IS ROHS COMPLIANT.

NOTES UPDATED EC NO: IFG2017-1157 2017/06/27 DRAWING: JASO1 2017/06/27 CHKD: JMAGNEIL 2017/06/27 APPR: JMAGNEIL 2017/06/28	QUALITY SYMBOLS ▽=0 ▽=0	GENERAL TOLERANCES (UNLESS SPECIFIED)		DIMENSION STYLE IN/MM		SCALE 4:1	DESIGN UNITS INCH	THIRD ANGLE PROJECTION	
		4 PLACES ± --- ± --- 3 PLACES ± --- ± .005 2 PLACES ± 0.13 ± .01 1 PLACE ± 0.25 ± ---	mm INCH DRAWN BY: JH DATE: 10/18/96 CHECKED BY: RWD DATE: 10/18/96 APPROVED BY: RWD DATE: 10/18/96	TITLE QUICK DISCONNECT PCB MOUNTABLE .187 X .032/.020 TAB			MOLEX INCORPORATED		MATERIAL NO. SEE CHART
DRAFT WHERE APPLICABLE MUST REMAIN WITHIN DIMENSIONS		SIZE C		THIS DRAWING CONTAINS INFORMATION THAT IS PROPRIETARY TO MOLEX INCORPORATED AND SHOULD NOT BE USED WITHOUT WRITTEN PERMISSION					

MATERIAL NUMBER	ENGINEERING NUMBER	CARRIER	TAB THICKNESS	LOGO ORIENTATION
197084003	19708-4003	STRIP	.020/0.51	IN
197084013	19708-4013	STRIP	.032/0.81	
197084015	19708-4015	STRIP	.032/0.81	
197084001	19708-4001	LOOSE	.020/0.51	-
197084011	19708-4011	LOOSE	.032/0.81	-



(J1)
NOTES:

1. BARE EDGES PERMISSIBLE AT CARRIER CUT OFF.
2. MATERIAL: BRASS C26000
3. MATERIAL THICKNESS: SEE CHART
4. TAB CONFORMS TO NEMA SPECIFICATIONS.
5. ALL DIMENSIONS AND NOTES REFERENCE UNLESS OTHERWISE NOTED.
6. PLATING: MATTE TIN, 150μN/3.81μmm MINIMUM THICKNESS OVER NICKEL 50μN/1.25μmm MINIMUM THICKNESS.
7. REF.: 9,000 MINIMUM PARTS PER REEL, REEL HAS 14" DIAMETER REEL WITH A 1.25" DIAMETER CENTER HOLE.
8. PART IS ROHS COMPLIANT.

NOTES UPDATED EC NO: IFG2017-1157 2017/06/27 DRAWING: JASO1 2017/06/27 CHKD: JMAGNEIL 2017/06/27 APPR: JMAGNEIL 2017/06/28	QUALITY SYMBOLS ▽=0 ▽=0	GENERAL TOLERANCES (UNLESS SPECIFIED)		DIMENSION STYLE IN/MM		SCALE 4:1	DESIGN UNITS INCH	THIRD ANGLE PROJECTION	
		4 PLACES ± --- ± --- 3 PLACES ± --- ± .005 2 PLACES ± 0.13 ± .01 1 PLACE ± 0.25 ± ---	mm INCH DRAWN BY: JH DATE: 10/18/96 CHECKED BY: RWD DATE: 10/18/96 APPROVED BY: RWD DATE: 10/18/96	TITLE QUICK DISCONNECT PCB MOUNTABLE .187 X .032/.020 TAB			MOLEX INCORPORATED		MATERIAL NO. SEE CHART
DRAFT WHERE APPLICABLE MUST REMAIN WITHIN DIMENSIONS		SIZE C		THIS DRAWING CONTAINS INFORMATION THAT IS PROPRIETARY TO MOLEX INCORPORATED AND SHOULD NOT BE USED WITHOUT WRITTEN PERMISSION					