

2-968307-2 ✓ ACTIVE

AMP | Junior Power Timer

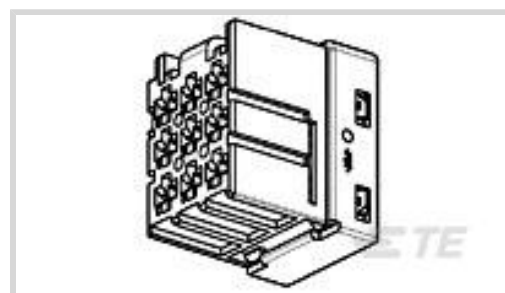
TE Internal #: 2-968307-2

Housing for Female Terminals, Wire-to-Board / Wire-to-Device, 9 Position, .197 in [5 mm] Centerline, Natural, Signal, Junior Power Timer

[View on TE.com >](#)



Connectors > Automotive Connectors > Connector Housings > TIMER, CONNECTOR HOUSING



Connector & Housing Type: **Housing for Female Terminals**

Mating Tab Width: **3 mm [ .118 in ]**

Connector System: **Wire-to-Board, Wire-to-Device**

Number of Positions: **9**

Centerline (Pitch): **5 mm [ .197 in ]**

[All TIMER, CONNECTOR HOUSING \(543\)](#)

## Features

### Product Type Features

Connector & Housing Shape	Rectangular
Connector & Housing Type	Housing for Female Terminals
Connector System	Wire-to-Board, Wire-to-Device
Sealable	No
Hybrid Connector	No
Primary Locking Feature	On the Terminal

### Configuration Features

Number of Positions	9
Number of Rows	3

### Body Features

Cable Exit Angle	180°
Body Material	PBT
Primary Product Color	Natural
Connector Code	B

### Contact Features

Contact Size	2.8mm
Contact Type	Receptacle



Mating Tab Width	3 mm[.118 in]
------------------	---------------

### Mechanical Attachment

Mounting Feature	Without
------------------	---------

Terminal Position Assurance	Yes
-----------------------------	-----

Strain Relief	Without
---------------	---------

Mating Alignment Type	Keyed
-----------------------	-------

Mating Alignment	With
------------------	------

Connector Mounting Type	Cable Mount (Free-Hanging)
-------------------------	----------------------------

### Housing Features

Centerline (Pitch)	5 mm[.197 in]
--------------------	---------------

### Dimensions

Product Width	22 mm[.866 in]
---------------	----------------

Product Length	25 mm[.984 in]
----------------	----------------

Product Height	18 mm[.709 in]
----------------	----------------

Row-to-Row Spacing	6 mm[.236 in]
--------------------	---------------

### Usage Conditions

Operating Temperature (Max)	70 °C, 75 °C, 80 °C, 85 °C, 90 °C, 100 °C, 105 °C, 110 °C, 120 °C[158 °F][167 °F][176 °F][185 °F][194 °F][212 °F][221 °F][230 °F][248 °F]
-----------------------------	---

Operating Temperature Range	-40 – 120 °C[-40 – 248 °F]
-----------------------------	----------------------------

### Operation/Application

Circuit Application	Signal
---------------------	--------

### Packaging Features

Packaging Quantity	1200
--------------------	------

Packaging Method	Carton
------------------	--------

### Other

Serviceable	No
-------------	----

Connector Position Assurance Capable	No
--------------------------------------	----

### Product Compliance

[For compliance documentation, visit the product page on TE.com>](#)

EU RoHS Directive 2011/65/EU	Compliant
------------------------------	-----------



EU ELV Directive 2000/53/EC	Compliant
China RoHS 2 Directive MIIT Order No 32, 2016	No Restricted Materials Above Threshold
EU REACH Regulation (EC) No. 1907/2006	Current ECHA Candidate List: JUNE 2022 (224) Candidate List Declared Against: JAN 2022 (223) SVHC > Threshold: Not Yet Reviewed
Halogen Content	Low Halogen - Br, Cl, F, I < 900 ppm per homogenous material. Also BFR/CFR/PVC Free
Solder Process Capability	Not applicable for solder process capability

Product Compliance Disclaimer

This information is provided based on reasonable inquiry of our suppliers and represents our current actual knowledge based on the information they provided. This information is subject to change. The part numbers that TE has identified as EU RoHS compliant have a maximum concentration of 0.1% by weight in homogenous materials for lead, hexavalent chromium, mercury, PBB, PBDE, DBP, BBP, DEHP, DIBP, and 0.01% for cadmium, or qualify for an exemption to these limits as defined in the Annexes of Directive 2011/65/EU (RoHS2). Finished electrical and electronic equipment products will be CE marked as required by Directive 2011/65/EU. Components may not be CE marked. Additionally, the part numbers that TE has identified as EU ELV compliant have a maximum concentration of 0.1% by weight in homogenous materials for lead, hexavalent chromium, and mercury, and 0.01% for cadmium, or qualify for an exemption to these limits as defined in the Annexes of Directive 2000/53/EC (ELV). Regarding the REACH Regulation, the information TE provides on SVHC in articles for this part number is based on the latest European Chemicals Agency (ECHA) 'Guidance on requirements for substances in articles' posted at this URL: <https://echa.europa.eu/guidance-documents/guidance-on-reach>

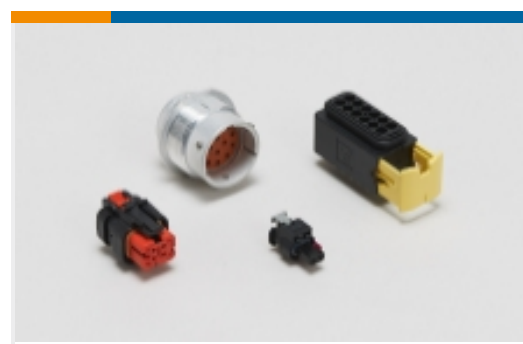
## Compatible Parts



## Also in the Series | Junior Power Timer



Automotive Connector Caps & Covers (5)



Automotive Housings(225)



Automotive Seals & Cavity Plugs(10)



Automotive Terminals(82)



Busbars & Terminals(1)



Insertion & Extraction Tools(9)



Module Components(8)



Other Automotive Connector Accessories(1)

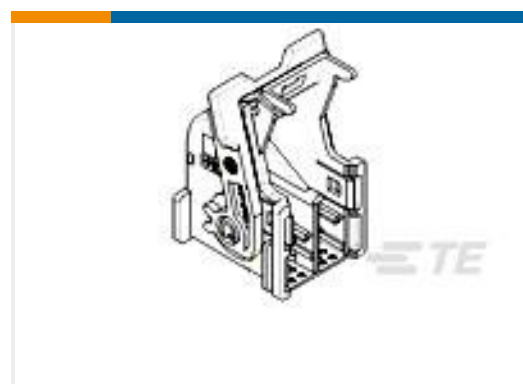


PCB Headers & Receptacles(1)

## Customers Also Bought



TE Part #2-968326-1  
MOS, CONNECTOR HOUSING



TE Part #953122-1  
40W MOS COVER ASSY (15D)



TE Part #2141028-1  
FUSE BOX HSG,HARD WIRED



TE Part #928930-4  
FF 110 TAB 0.5-1 MM2 .080 F SGP  
CUZN30



TE Part #CT95593001  
ACW6229-0.50-0/9-0CK0429



TE Part #CQ54133001  
ACW6229-0.75-0/9-0CK0429

## Documents



### Product Drawings

#### JPT GEH KOMPL 9P

English

---

### CAD Files

#### 3D PDF

English

#### Customer View Model

[ENG\\_CVM\\_2-968307-2\\_C4.2d\\_dxf.zip](#)

English

#### Customer View Model

[ENG\\_CVM\\_2-968307-2\\_C4.3d\\_igs.zip](#)

English

#### Customer View Model

[ENG\\_CVM\\_2-968307-2\\_C4.3d\\_stp.zip](#)

English

By downloading the CAD file I accept and agree to the [Terms and Conditions](#) of use.

---

### Datasheets & Catalog Pages

#### Timer Interconnection System

English

---

### Product Specifications

#### STEUERGERATESTECKER 134-POL. MICRO QUADLOCK SYSTEM JUNIOR POWER TIMER

English

#### Product Specification

English

---

### Product Environmental Compliance

#### Product Compliance

English

#### Product Compliance

English

---