



Connectors > Circular Connectors > Circular Connector Accessories > Unscreened Circular Connector Backshells & Clamps > CPC CABLE CLAMPS



Backshell & Clamp Accessory Type: **Cable Clamp**

Compatible With Circular Connector Shell Size: **23**

Body Orientation: **Straight**

Accepts Cable Diameter (Max): **28.58 mm [1.125 in]**

Protective Cover: **Without**

[All CPC CABLE CLAMPS \(25\)](#)

Features

Product Type Features

Product Type	Accessory
Backshell & Clamp Accessory Type	Cable Clamp
Protective Cover	Without

Body Features

Cable Clamp Material	Thermoplastic
Cable Clamp Flammability Rating	UL 94V-0
Cable Clamp Color	Black

Mechanical Attachment

Screw & Hole Thread Size	1-3/8-18 UNEF-2B
--------------------------	------------------

Housing Features

Body Orientation	Straight
------------------	----------

Dimensions

Accepts Cable Diameter (Max)	28.58 mm[1.125 in]
------------------------------	--------------------



Operation/Application

Compatible With Circular Connector Shell Size	23
---	----

Packaging Features

Packaging Quantity	1
Packaging Method	Individual

Other

Comment	Cable clamp inserts are not sold separately., Cable clamps can be threaded directly onto plugs or receptacles, or onto back-shell extenders., Clamping areas adjustable by inverting or changing inserts., Components for all cable clamps are packaged unassembled. This includes the cable clamp, two screws, and the clamping inserts., Replacement screws are available in the following sizes: 9.52mm [3/8 in.] -P/N 19024-1, 12.7mm [1/2 in.] -P/N 19024-2, 15.88]mm [5/8 in.] -P/N 19024-3, 25.4mm [1 in.] -P/N 19024-4, 19.05mm [3/4 in.]-P/N 19024-5.
---------	--

Product Compliance

[For compliance documentation, visit the product page on TE.com>](#)

EU RoHS Directive 2011/65/EU	Compliant
EU ELV Directive 2000/53/EC	Compliant
China RoHS 2 Directive MIIT Order No 32, 2016	No Restricted Materials Above Threshold
EU REACH Regulation (EC) No. 1907/2006	Current ECHA Candidate List: JUNE 2022 (224) Candidate List Declared Against: JAN 2022 (223) SVHC > Threshold: Not Yet Reviewed
Halogen Content	BFR/CFR/PVC Free, but Br/Cl >900 ppm in other sources.
Solder Process Capability	Not applicable for solder process capability

Product Compliance Disclaimer

This information is provided based on reasonable inquiry of our suppliers and represents our current actual knowledge based on the information they provided. This information is subject to change. The part numbers that TE has identified as EU RoHS compliant have a maximum concentration of 0.1% by weight in homogenous materials for lead, hexavalent chromium, mercury, PBB, PBDE, DBP, BBP, DEHP, DIBP, and 0.01% for cadmium, or qualify for an exemption to these limits as defined in the Annexes of Directive 2011/65/EU (RoHS2). Finished electrical and electronic equipment products

will be CE marked as required by Directive 2011/65/EU. Components may not be CE marked. Additionally, the part numbers that TE has identified as EU ELV compliant have a maximum concentration of 0.1% by weight in homogenous materials for lead, hexavalent chromium, and mercury, and 0.01% for cadmium, or qualify for an exemption to these limits as defined in the Annexes of Directive 2000/53/EC (ELV). Regarding the REACH Regulation, the information TE provides on SVHC in articles for this part number is based on the latest European Chemicals Agency (ECHA) 'Guidance on requirements for substances in articles' posted at this URL: <https://echa.europa.eu/guidance-documents/guidance-on-reach>

Compatible Parts



TE Part # CAT-AM71-C83998BB
CPC SERIES 3



TE Part # CAT-AM71-C83998M
CPC SERIES 2



TE Part # CAT-AM71-C83998J
CPC SERIES 1



TE Part # CAT-AM71-C83998F
CPC SERIES 1 POSTED



TE Part # CAT-AM71-C83998CC
CPC SERIES 4



TE Part # CAT-AM71-C83998E
CPC SERIES 2 POSTED



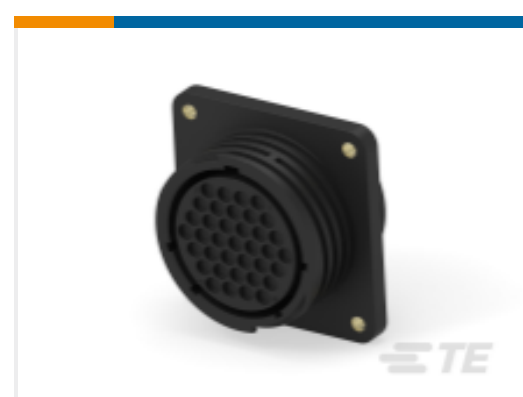
TE Part # CAT-AM71-C83998K
CPC SERIES 6



TE Part # CAT-AM71-C83998Y
CPC SERIES 1 SEALED ONE-PIECE



TE Part # 206306-2
23-37 F H RECEPT REV SEX



TE Part # 206306-5
CPC RECEPT ASSEMBLY SIZE 23-37



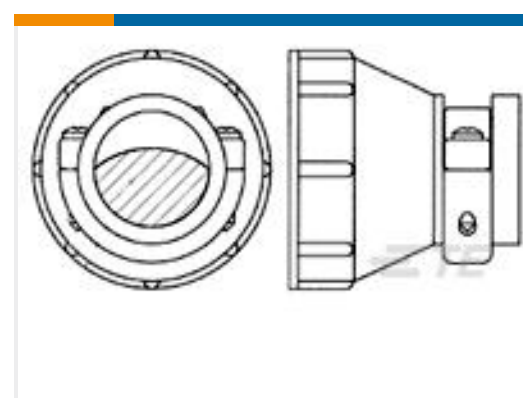
TE Part # 206306-1
23-37 RECEPT REV SEX



TE Part # 1-206934-1
CPC RECPT ASSEMBLY SIZE 23-37



TE Part # CAT-AM71-C83998GG
CPC SERIES 1 POSTED



TE Part # 206510-1
CABLE CLAMP BODY, SZ 23, CPC



TE Part # 1-206934-7
CPC RECPT ASSEMBLY SIZE 23-37



TE Part # 206934-5
CPC RECPT ASSEMBLY SIZE 23-37

Also in the Series | **AMP CPC**



Circular Connector Adapters(7)



Circular Connector Boots & Strain Relief(6)



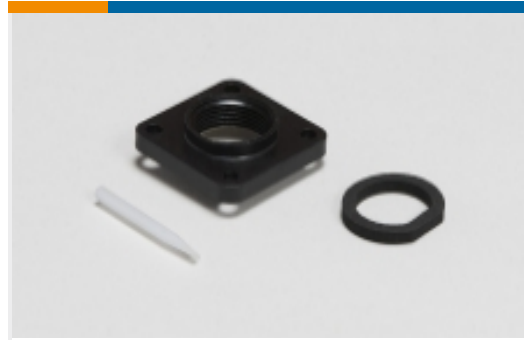
Circular Connector Caps & Covers(16)



Circular Connector Hardware(3)



Circular Connector Keying Plugs(2)



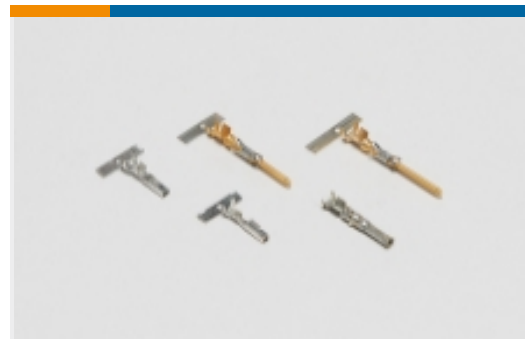
Circular Connector Seals(36)



Circular Power Connectors(516)



Insertion & Extraction Tools(1)



Power Contacts(6)



Sealing Sleeves(2)



Unscreened Circular Connector Backshells & Clamps(56)

Customers Also Bought



TE Part #211772-1
CPC PLUG ASSEMBLY SIZE 23-19



TE Part #206437-1
CPC PLUG ASSEMBLY SIZE 23-57



TE Part #206136-1
CPC PLUG ASSEMBLY SIZE 23-7



TE Part #206837-1
CPC PLUG ASSEMBLY SIZE 23-24



TE Part #207485-1
CPC PLUG ASSEMBLY SIZE 23-16



TE Part #206070-8
CABLE CLAMP KIT #17



TE Part #206306-1
23-37 RECEPT REV SEX



TE Part #2335143-1
CABLE PLUG KIT TYPE I BLACK (L),
100pc



Documents

Product Drawings

[CLAMP,CABLE SHELL,SIZE 23](#)

English

CAD Files

Customer View Model

[ENG_CVM_CVM_206512-5_K.2d_dxf.zip](#)

English

[3D PDF](#)

3D

Customer View Model

[ENG_CVM_CVM_206512-5_K.3d_igs.zip](#)

English

Customer View Model

[ENG_CVM_CVM_206512-5_K.3d_stp.zip](#)

English

By downloading the CAD file I accept and agree to the [Terms and Conditions](#) of use.

Datasheets & Catalog Pages

[AMP Circular Connectors for Commercial Signal & Power Applications](#)

English

Product Environmental Compliance

[MD_206512-5_06302017534_dmtec](#)

English

[MD_206512-5_06302017534_dmtec](#)

English

Agency Approvals

[CSA Certificate](#)

English