



**Power Double Lock**

TE Internal #: 1983662-1

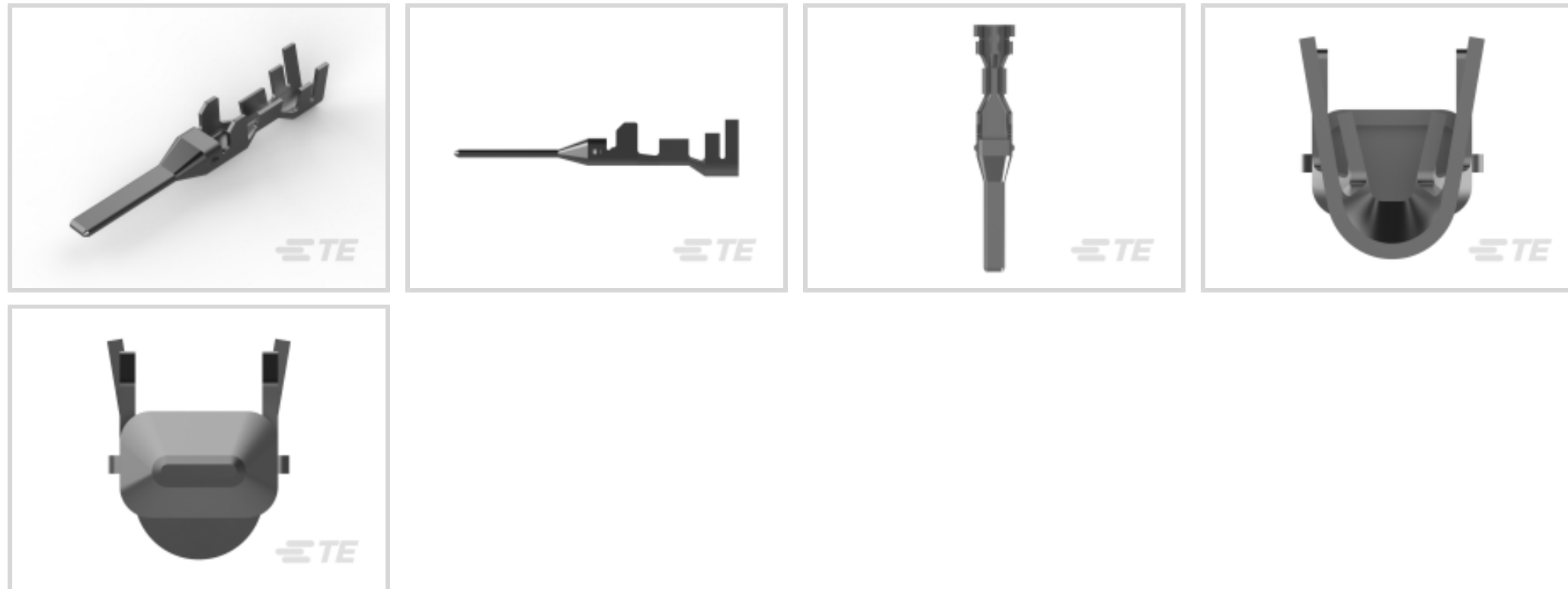
Power Contacts, Contact, 300 VAC, 300 VDC, Pre-Tin, 26 – 22 AWG

Wire Size, .13 – .33 mm<sup>2</sup> Wire Size, Wire-to-Wire, Wire & Cable,

Power Double Lock

[View on TE.com >](#)

Connectors > Power Connectors > Power Contacts



Power Contact Type: **Contact**

Operating Voltage: **300 VDC**

Contact Mating Area Plating Material: **Pre-Tin**

Wire Size: **26 – 22 AWG**

**Features**

**Product Type Features**

Power Contact Type	Contact
Connector System	Wire-to-Wire
Connector & Contact Terminates To	Wire & Cable

**Electrical Characteristics**

Operating Voltage	300 VDC
-------------------	---------

**Contact Features**

Contact Mating Area Plating Material	Pre-Tin
Contact Current Rating (Max)	5 A
Contact Type	Tab
Contact Retention Within Housing	Without
Mating Tab Width	1.81 mm[.071 in]
Mating Tab Thickness	.61 mm[.024 in]
Contact Base Material	Copper Alloy
Wire Contact Termination Area Plating Thickness	.8 – 3 μm[31.49 – 118.1 μin]
Wire Contact Termination Area Plating Material	Pre-Tin



Wire Contact Termination Area Plating Material Finish	Matte
---	-------

Contact Orientation	Straight
---------------------	----------

### Termination Features

Termination Method to Wire & Cable	Crimp
------------------------------------	-------

### Mechanical Attachment

Connector Mounting Type	Cable Mount (Free-Hanging)
-------------------------	----------------------------

Wire Insulation Support	With
-------------------------	------

### Dimensions

Wire Size	.13 – .33 mm <sup>2</sup>
-----------	---------------------------

### Usage Conditions

Operating Temperature Range	-30 – 105 °C[-22 – 221 °F]
-----------------------------	----------------------------

### Operation/Application

Circuit Application	Power
---------------------	-------

### Industry Standards

Glow Wire Rating	Standard Part - Not Glow Wire
------------------	-------------------------------

### Packaging Features

Packaging Method	Reel
------------------	------

Packaging Quantity	5000
--------------------	------

### Other

Wire/Cable Type	Discrete Wire
-----------------	---------------

Wire Type	Stranded
-----------	----------

For Use With	Cap: 1983658, Plug: 1983659
--------------	-----------------------------

### Product Compliance

[For compliance documentation, visit the product page on TE.com>](#)

EU RoHS Directive 2011/65/EU	Compliant
------------------------------	-----------

EU ELV Directive 2000/53/EC	Compliant
-----------------------------	-----------

China RoHS 2 Directive MIIT Order No 32, 2016	No Restricted Materials Above Threshold
---	---

EU REACH Regulation (EC) No. 1907/2006	Current ECHA Candidate List: JUNE 2022 (224) Candidate List Declared Against: JAN 2022 (223) SVHC > Threshold:
--	--



Not Yet Reviewed

Halogen Content

Low Halogen - Br, Cl, F, I < 900 ppm per homogenous material. Also BFR/CFR/PVC Free

Solder Process Capability

Not reviewed for solder process capability

Product Compliance Disclaimer

This information is provided based on reasonable inquiry of our suppliers and represents our current actual knowledge based on the information they provided. This information is subject to change. The part numbers that TE has identified as EU RoHS compliant have a maximum concentration of 0.1% by weight in homogenous materials for lead, hexavalent chromium, mercury, PBB, PBDE, DBP, BBP, DEHP, DIBP, and 0.01% for cadmium, or qualify for an exemption to these limits as defined in the Annexes of Directive 2011/65/EU (RoHS2). Finished electrical and electronic equipment products will be CE marked as required by Directive 2011/65/EU. Components may not be CE marked. Additionally, the part numbers that TE has identified as EU ELV compliant have a maximum concentration of 0.1% by weight in homogenous materials for lead, hexavalent chromium, and mercury, and 0.01% for cadmium, or qualify for an exemption to these limits as defined in the Annexes of Directive 2000/53/EC (ELV). Regarding the REACH Regulation, the information TE provides on SVHC in articles for this part number is based on the latest European Chemicals Agency (ECHA) 'Guidance on requirements for substances in articles' posted at this URL: <https://echa.europa.eu/guidance-documents/guidance-on-reach>

### Compatible Parts



TE Part # 2305570-1  
TERMINAL CUTTER, SIDE FEED



TE Part # CAT-P87024-P729A  
Glow Wire Power Double Lock Plug



TE Part # 1983659-1  
4P Plug Housing



TE Part # 2-2151721-1  
OC-PA-S-FM-055F098F-001-0239



TE Part # 2-2151721-2  
OC-PA-S-FA-055F098F-001-0239



TE Part # 2151721-1  
OC-AT-S-FM-080F138F-001-0239



TE Part # 2151721-2  
OC-AT-S-FA-055F098F-001-0239



**KIT**  
REPRESENTATION ONLY

TE Part # 7-2151721-7  
OC-055F098F-CRIMPTOOLINGKIT

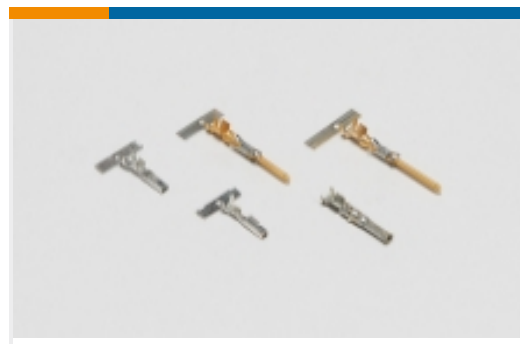
Also in the Series | **Power Double Lock**



Connector Contacts(1)



Insertion & Extraction Tools(2)



Power Contacts(23)

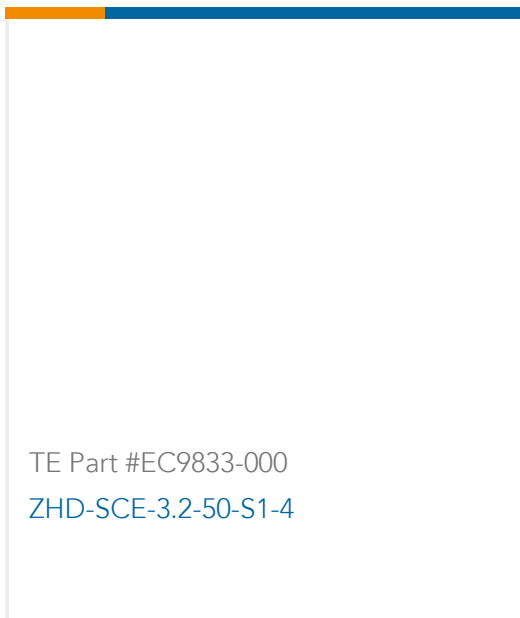


Rectangular Connector Locking(14)

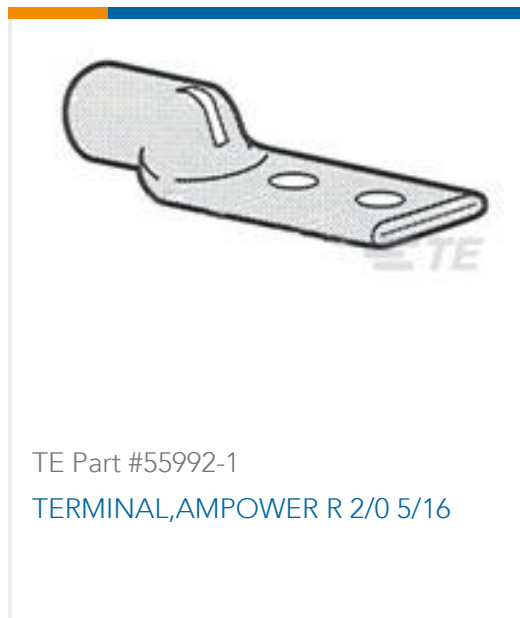


Rectangular Power Connectors(284)

## Customers Also Bought



TE Part #EC9833-000  
ZHD-SCE-3.2-50-S1-4



TE Part #55992-1  
TERMINAL,AMPOWER R 2/0 5/16



TE Part #1-1415543-5  
RTE44110



TE Part #ASA158F12390235000  
623 PLUG



TE Part #ZPF000000000205378  
CONTACT MALE ANG.90, CAL20,  
120MM2 - FXP



TE Part #ZPF000000000205373  
PLUG MALE ANG.90 CAL.20 - FXP



TE Part #ZPF000000000205376  
RECEPTACLE FEMALE BULKHEAD -  
FXP



TE Part #YZ-KC-212751A-PY00  
TOOL DISMOUNTING - FXP2

## Documents

### Product Drawings

[Tab connect 22-26AWG](#)

English

### CAD Files

[3D PDF](#)

3D

Customer View Model

[ENG\\_CVM\\_CVM\\_1983662-1\\_B.2d\\_dxf.zip](#)



English

Customer View Model

[ENG\\_CVM\\_CVM\\_1983662-1\\_B.3d\\_igs.zip](#)

English

Customer View Model

[ENG\\_CVM\\_CVM\\_1983662-1\\_B.3d\\_stp.zip](#)

English

By downloading the CAD file I accept and agree to the [Terms and Conditions](#) of use.

---

**Product Specifications**

[Application Specification](#)

English

---

**Agency Approvals**

[VDE Certificate](#)

English