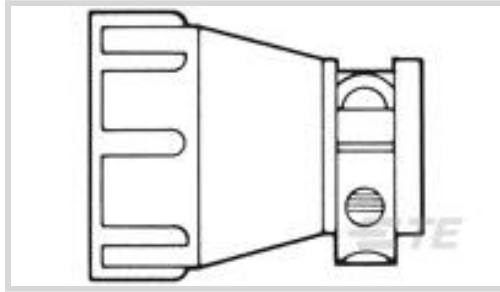




Connectors > Circular Connectors > Circular Connector Accessories > Unscreened Circular Connector Backshells & Clamps > CPC CABLE CLAMPS



Backshell & Clamp Accessory Type: **Cable Clamp**

Compatible With Circular Connector Shell Size: **13**

Body Orientation: **Straight**

Accepts Cable Diameter (Max): **11.51 mm [.453 in]**

Protective Cover: **Without**

[All CPC CABLE CLAMPS \(25\)](#)

Features

Product Type Features

Product Type	Accessory
Backshell & Clamp Accessory Type	Cable Clamp
Protective Cover	Without

Body Features

Cable Clamp Material	Thermoplastic
Cable Clamp Flammability Rating	UL 94V-0
Cable Clamp Color	Black

Mechanical Attachment

Screw & Hole Thread Size	3/4-20 UNEF-2B
--------------------------	----------------

Housing Features

Body Orientation	Straight
------------------	----------

Dimensions

Accepts Cable Diameter (Max)	11.51 mm[.453 in]
------------------------------	-------------------

Operation/Application

Compatible With Circular Connector Shell Size	13
---	----

Packaging Features

Packaging Quantity	200
--------------------	-----



Packaging Method	Bulk
------------------	------

Other

Comment	Bulk packaging to be ordered in multiples of 200 only., Cable clamp inserts are not sold separately., Cable clamps can be threaded directly onto plugs or receptacles, or onto back-shell extenders., Clamping areas adjustable by inverting or changing inserts., Components for all cable clamps are packaged unassembled. This includes the cable clamp, two screws, and the clamping inserts., Packaging includes two screws: Shell sizes 11-17, screw length 9.52 [.375]- shell size 23, screw length 15.88 [.625]., Replacement screws are available in the following sizes: 9.52mm [3/8 in.] -P/N 19024-1, 12.7mm [1/2 in.] -P/N 19024-2, 15.88]mm [5/8 in.] -P/N 19024-3, 25.4mm [1 in.] -P/N 19024-4, 19.05mm [3/4 in.] -P/N 19024-5.
---------	--

Product Compliance

[For compliance documentation, visit the product page on TE.com>](#)

EU RoHS Directive 2011/65/EU	Compliant
EU ELV Directive 2000/53/EC	Compliant
China RoHS 2 Directive MIIT Order No 32, 2016	No Restricted Materials Above Threshold
EU REACH Regulation (EC) No. 1907/2006	Current ECHA Candidate List: JUNE 2022 (224) Candidate List Declared Against: JUNE 2022 (224) Does not contain REACH SVHC
Halogen Content	BFR/CFR/PVC Free, but Br/Cl >900 ppm in other sources.
Solder Process Capability	Not applicable for solder process capability

Product Compliance Disclaimer

This information is provided based on reasonable inquiry of our suppliers and represents our current actual knowledge based on the information they provided. This information is subject to change. The part numbers that TE has identified as EU RoHS compliant have a maximum concentration of 0.1% by weight in homogenous materials for lead, hexavalent chromium, mercury, PBB, PBDE, DBP, BBP, DEHP, DIBP, and 0.01% for cadmium, or qualify for an exemption to these limits as defined in the Annexes of Directive 2011/65/EU (RoHS2). Finished electrical and electronic equipment products will be CE marked as required by Directive 2011/65/EU. Components may not be CE marked. Additionally, the part numbers that TE has identified as EU ELV compliant have a maximum concentration of 0.1% by weight in homogenous materials for lead, hexavalent chromium, and mercury, and 0.01% for cadmium, or qualify for an exemption to these limits as defined in the Annexes of Directive 2000/53/EC (ELV). Regarding the REACH Regulation, the information TE provides on SVHC in articles for this part number is based on the latest European Chemicals Agency (ECHA) 'Guidance on

requirements for substances in articles' posted at this URL: <https://echa.europa.eu/guidance-documents/guidance-on-reach>

Compatible Parts



TE Part # CAT-AM71-C83998J
CPC SERIES 1



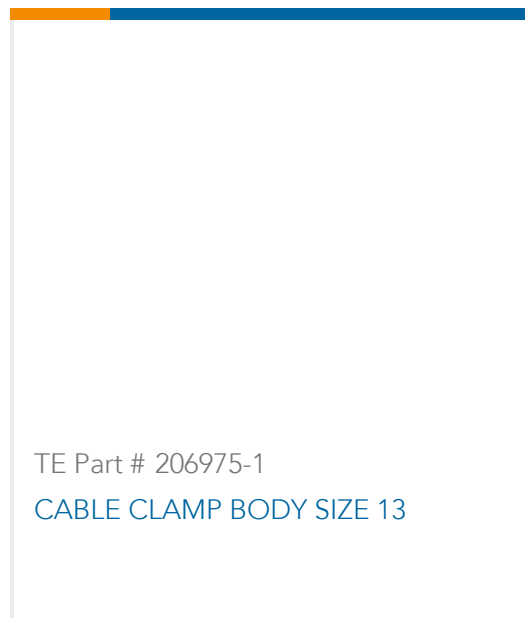
TE Part # 206708-1
CPC PLUG ASSEMBLY SIZE 13-9



TE Part # CAT-AM71-C83998Y
CPC SERIES 1 SEALED ONE-PIECE



TE Part # CAT-AM71-C83998F
CPC SERIES 1 POSTED



TE Part # 206975-1
CABLE CLAMP BODY SIZE 13

Also in the Series | AMP CPC



Circular Connector Adapters(7)



Circular Connector Boots & Strain Relief(6)



Circular Connector Caps & Covers(16)



Circular Connector Hardware(3)



Circular Connector Keying Plugs(2)



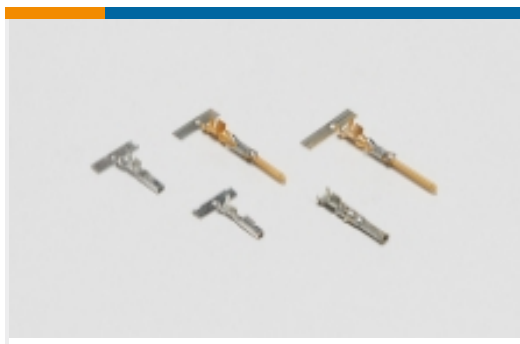
Circular Connector Seals(36)



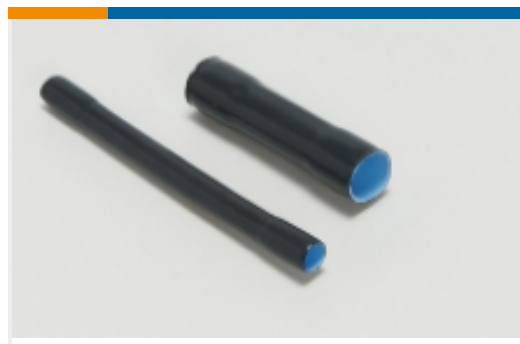
Circular Power Connectors(516)



Insertion & Extraction Tools(1)



Power Contacts(6)



Sealing Sleeves(2)



Unscreened Circular Connector Backshells & Clamps(5)

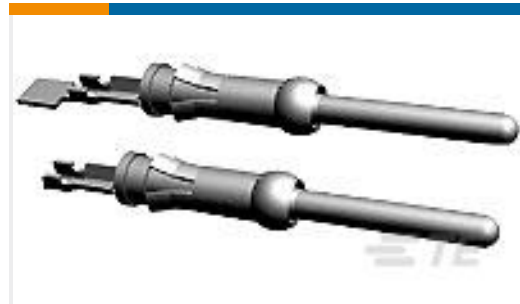
Customers Also Bought



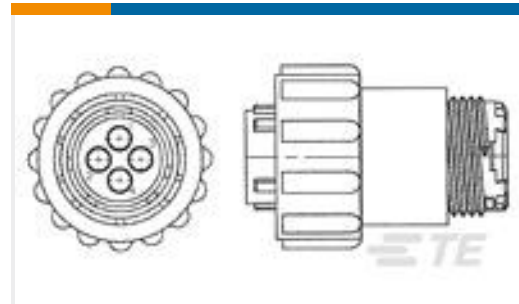
TE Part #211399-1
CPC PLUG ASSEMBLY SIZE 13-7



TE Part #211400-1
CPC PLUG ASSEMBLY SIZE 13-7



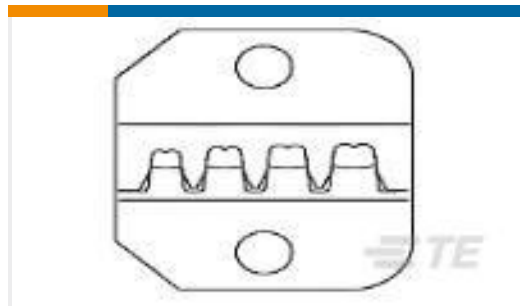
TE Part #66106-4
III+ PIN,26-24,30AU/FL,STRIP



TE Part #1977884-1
SLD CPC PLUG ASSY,13-9,STD SEX,
UV RESIS



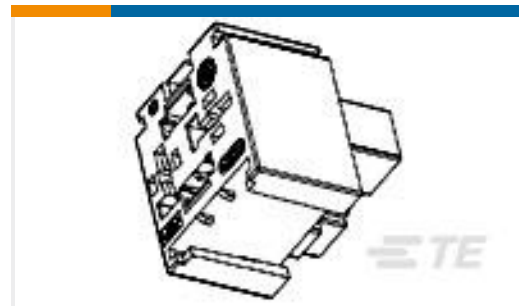
TE Part #444043-1
HSG ASSY 3POS MULTI



TE Part #90684-2
PROCRIPPER DIE ASSY DYNAMIC



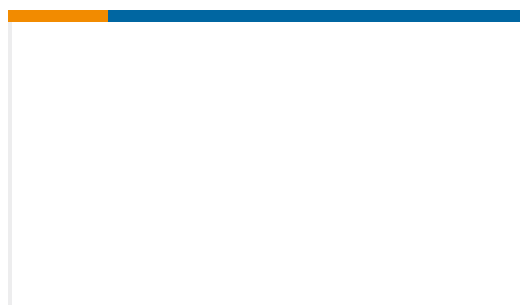
TE Part #211401-2
RECEPT,SZ 13-7,CPC



TE Part #2-953615-2
MODULAR RELAY HLD R 50-60A



TE Part #2098164-3
Cover, 60 Pos, No Top Side Fuse
Graphic



TE Part #1-163081-2
.062 PIN ASSY 3+

Documents

Product Drawings

[CABLE CLAMP KIT, BULK PKG](#)

English

CAD Files

[Customer View Model](#)

[ENG_CVM_CVM_206966-9_S.2d_dxf.zip](#)

English

[3D PDF](#)



3D

Customer View Model

[ENG_CVM_CVM_206966-9_S.3d_igs.zip](#)

English

Customer View Model

[ENG_CVM_CVM_206966-9_S.3d_stp.zip](#)

English

By downloading the CAD file I accept and agree to the [Terms and Conditions](#) of use.

Datasheets & Catalog Pages

[AMP Circular Connectors for Commercial Signal & Power Applications](#)

English

Product Environmental Compliance

[MD_206966-9_030320172247_dmtec](#)

English

[MD_206966-9_030320172247_dmtec](#)

English