

**PLEASE CHECK WWW.MOLEX.COM FOR LATEST PART INFORMATION**

**Part Number:** [2004490001](#)  
**Status:** **Active**  
**Overview:** EdgeLock Wire-to-Edge-Card Signal System  
**Description:** 2.00mm Pitch EdgeLock Crimp Terminal, Phosphor Bronze, Tin (Sn) Plating,Reel

**Documents:**

[Drawing \(PDF\)](#) [Packaging Specification 2004490001PK-000 \(PDF\)](#)  
[Product Specification 2008900001PS-000 \(PDF\)](#) [RoHS Certificate of Compliance \(PDF\)](#)

**General**

Product Family Crimp Terminals  
 Series [200449](#)  
 Application Signal, Wire-to-Board  
 Crimp Quality Equipment Yes  
 Overview [EdgeLock Wire-to-Edge-Card Signal System](#)  
 Product Name EdgeLock  
 UPC 889056469395

**Physical**

Durability (mating cycles max) 30  
 Gender N/A  
 Material - Metal Phosphor Bronze  
 Material - Plating Mating Tin  
 Material - Plating Termination Tin  
 Net Weight 47.042/mg  
 Packaging Type Reel  
 Plating min - Mating 1.000µm  
 Plating min - Termination 1.000µm  
 Termination Interface: Style Crimp or Compression  
 Wire Insulation Diameter 1.10-1.40mm  
 Wire Size AWG 22, 24  
 Wire Size mm<sup>2</sup> N/A

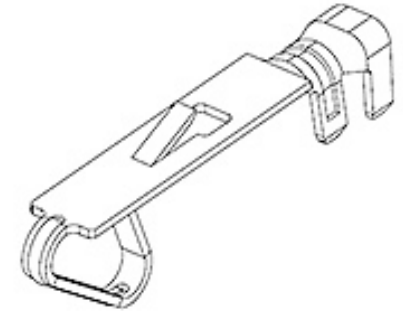
**Electrical**

Current - Maximum per Contact 3.0A  
 Voltage - Maximum 125V

**Material Info**

**Reference - Drawing Numbers**

Crimp Specification [2004490001CS-000](#)  
 Packaging Specification [2004490001PK-000](#)  
 Product Specification [2008900001PS-000](#)  
 Sales Drawing [2004490001-000](#)



*Series image - Reference only*

**EU ELV**

**Not Relevant**

**EU RoHS**

**Compliant**

**REACH SVHC**

Not Contained Per -  
 D(2020)4578-DC (25  
 June 2020)

**Halogen-Free**

**Status**

**Low-Halogen**

For more information, please visit [Contact US](#)

China ROHS

ELV

RoHS Phthalates

**China RoHS**

Green Image

Not Relevant

Not Contained

**Search Parts in this Series**

[200449 Series](#)

**Use With**

EdgeLock Edge Card Connector [200890](#)

**Application Tooling | FAQ**

*Tooling specifications and manuals are found by selecting the products below. Crimp Height Specifications are then contained in the Application Tooling Specification document.*

**Global**

Description	Product #
Extractor Tool for CTX64 Female Crimp Terminals	<a href="#">638135700</a>
FineAdjust Applicator for EdgeLock Crimp Terminal, 24 AWG, UL1061 wire	<a href="#">639039800</a>
FineAdjust Applicator for EdgeLock Crimp Terminal, 24 AWG, UL1007 wire	<a href="#">639039900</a>

This document was generated on 07/14/2020

**PLEASE CHECK [WWW.MOLEX.COM](http://WWW.MOLEX.COM) FOR LATEST PART INFORMATION**