



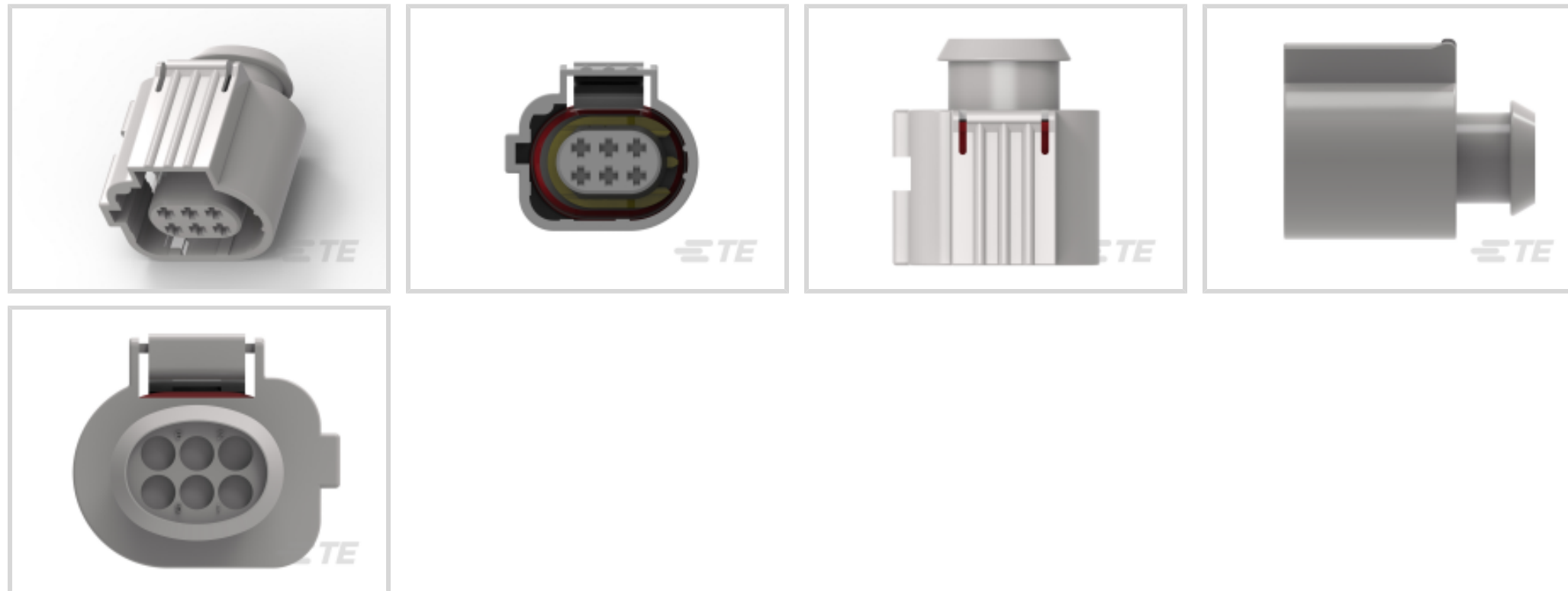
Micro Timer II

TE Internal #: 2005372-3

Housing for Female Terminals, Wire-to-Wire, 6 Position, .157 in [4 mm] Centerline, Sealable, Gray, Wire & Cable, Signal, Micro Timer II

[View on TE.com >](#)

Connectors > Automotive Connectors > Connector Housings > TIMER, CONNECTOR HOUSING



Connector & Housing Type: **Housing for Female Terminals**

Mating Tab Width: **1.2 mm [.047 in]**

Connector System: **Wire-to-Wire**

Number of Positions: **6**

Centerline (Pitch): **4 mm [.157 in]**

[All TIMER, CONNECTOR HOUSING \(543\)](#)

Features

Product Type Features

Connector & Housing Shape	Rectangular
Connector & Housing Type	Housing for Female Terminals
Connector System	Wire-to-Wire
Sealable	Yes
Hybrid Connector	No
Primary Locking Feature	Integrated in Housing
Connector & Contact Terminates To	Wire & Cable

Configuration Features

Number of Positions	6
Number of Rows	2

Body Features

Cable Exit Angle	180°
Body Material	PA GF



Primary Product Color	Gray
-----------------------	------

Connector Code	B
----------------	---

Contact Features

Contact Size	1.6mm
--------------	-------

Contact Type	Receptacle
--------------	------------

Mating Tab Width	1.2 mm[.047 in]
------------------	-----------------

Mechanical Attachment

Mounting Feature	Without
------------------	---------

Terminal Position Assurance	No
-----------------------------	----

Strain Relief	Without
---------------	---------

Mating Alignment Type	Keyed
-----------------------	-------

Mating Alignment	With
------------------	------

Connector Mounting Type	Cable Mount (Free-Hanging)
-------------------------	----------------------------

Housing Features

Centerline (Pitch)	4 mm[.157 in]
--------------------	---------------

Dimensions

Product Width	28.3 mm[1.11 in]
---------------	------------------

Product Length	25.7 mm[1.01 in]
----------------	------------------

Product Height	24.15 mm[.95 in]
----------------	------------------

Row-to-Row Spacing	4 mm[.157 in]
--------------------	---------------

Operation/Application

Circuit Application	Signal
---------------------	--------

Packaging Features

Packaging Quantity	300
--------------------	-----

Packaging Method	Bag
------------------	-----

Other

Serviceable	No
-------------	----

Connector Position Assurance Capable	No
--------------------------------------	----

Product Compliance

[For compliance documentation, visit the product page on TE.com>](#)

EU RoHS Directive 2011/65/EU	Compliant
------------------------------	-----------



EU ELV Directive 2000/53/EC	Compliant
China RoHS 2 Directive MIIT Order No 32, 2016	No Restricted Materials Above Threshold
EU REACH Regulation (EC) No. 1907/2006	Current ECHA Candidate List: JUNE 2022 (224) Candidate List Declared Against: JAN 2022 (223) SVHC > Threshold: Not Yet Reviewed
Halogen Content	Low Halogen - Br, Cl, F, I < 900 ppm per homogenous material. Also BFR/CFR/PVC Free
Solder Process Capability	Not applicable for solder process capability

Product Compliance Disclaimer

This information is provided based on reasonable inquiry of our suppliers and represents our current actual knowledge based on the information they provided. This information is subject to change. The part numbers that TE has identified as EU RoHS compliant have a maximum concentration of 0.1% by weight in homogenous materials for lead, hexavalent chromium, mercury, PBB, PBDE, DBP, BBP, DEHP, DIBP, and 0.01% for cadmium, or qualify for an exemption to these limits as defined in the Annexes of Directive 2011/65/EU (RoHS2). Finished electrical and electronic equipment products will be CE marked as required by Directive 2011/65/EU. Components may not be CE marked. Additionally, the part numbers that TE has identified as EU ELV compliant have a maximum concentration of 0.1% by weight in homogenous materials for lead, hexavalent chromium, and mercury, and 0.01% for cadmium, or qualify for an exemption to these limits as defined in the Annexes of Directive 2000/53/EC (ELV). Regarding the REACH Regulation, the information TE provides on SVHC in articles for this part number is based on the latest European Chemicals Agency (ECHA) 'Guidance on requirements for substances in articles' posted at this URL: <https://echa.europa.eu/guidance-documents/guidance-on-reach>

Compatible Parts

TE Part # CAT-T4827-T273
TIMER, RECEPTACLE AND TAB

TE Part # 2-2188289-3
MTII 6P CAP ASSY-B

TE Part # 2219369-2
COVER BLK FOR MT-II 6P PLUG

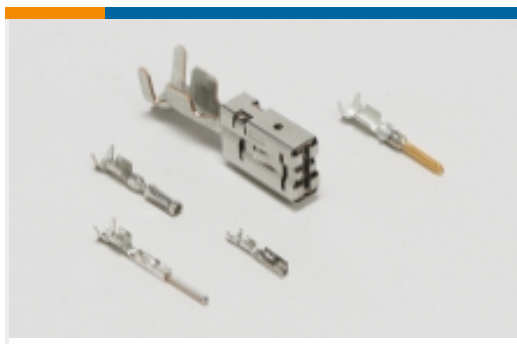
Also in the Series | Micro Timer II

Automotive Connector Caps & Covers (2)

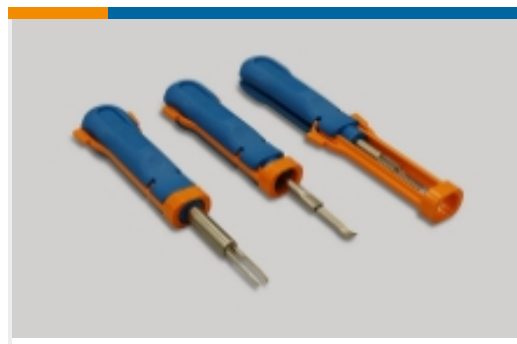
Automotive Connector Locks & Position Assurance(1)

Automotive Housings(29)

Automotive Seals & Cavity Plugs(1)

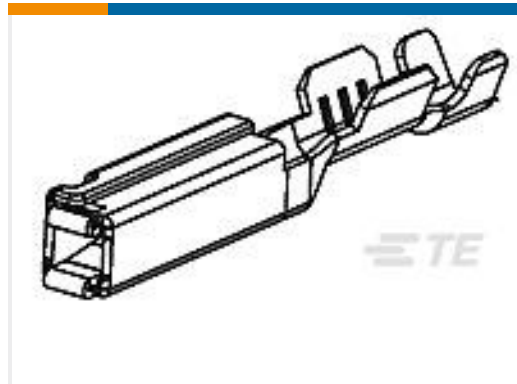
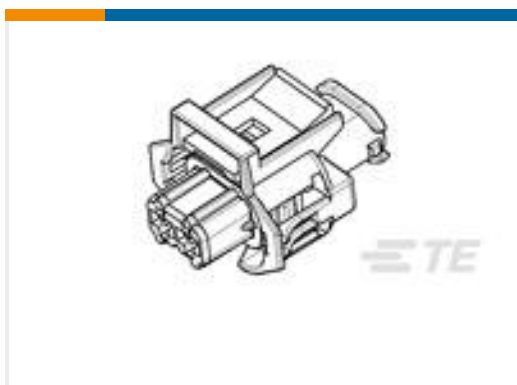


Automotive Terminals(30)



Insertion & Extraction Tools(4)

Customers Also Bought

TE Part #5-968221-1
MOS, RECEPTACLE AND TABTE Part #1393364-2
V23540X7000Y 12=GET FEM TERM ATE Part #962876-5
TIMER, RECEPTACLE AND TABTE Part #2005154-1
025 TAB CONTACT(S)TE Part #2-936060-1
2.8MM SLD 3P PLUG ASSYTE Part #2005390-6
JPT SLD 3P PLUG ASSY-1S BLK

Documents

Product Drawings

[MT-II SLD 6P PLUG ASSY GRAY](#)

English

CAD Files

[3D PDF](#)

3D

Customer View Model

[ENG_CVM_CVM_2005372-3_C.2d_dxf.zip](#)

English

Customer View Model

[ENG_CVM_CVM_2005372-3_C.3d_igs.zip](#)

English

Customer View Model

[ENG_CVM_CVM_2005372-3_C.3d_stp.zip](#)

English

By downloading the CAD file I accept and agree to the [Terms and Conditions](#) of use.



Datasheets & Catalog Pages

Timer Interconnection System

English

Product Specifications

Product Specification

English