

## Hardware

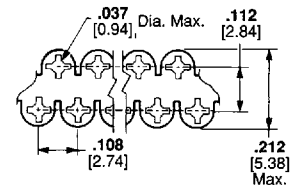
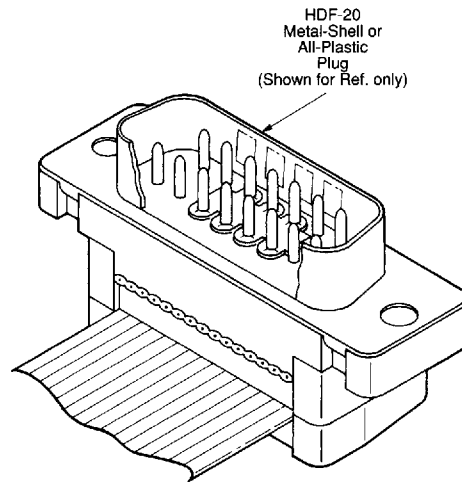
### Commoning Strip (for HDF-20 Plugs, Size 20 Pin Contacts)

#### Material and Finish:

Brass, .004 [0.10] thick, tin plated  
**Part No. 206918-2**  
(Continuous Strip)

#### Related Product Data:

**Used with HDF-20 Plugs—**  
pages 32, 33 & 36



#### Note:

1. Use punching tool to remove undesired pin commoning locations on commoning strip. Use mating receptacle to seat strip over pins in plug. Punching tool is not supplied by AMP.
2. Sold in strip form, strip contains 10,000 commoning locations.

### Male Screw Retainers for Metal-Shell Connectors (HDE and HDP)

#### Material and Finish:

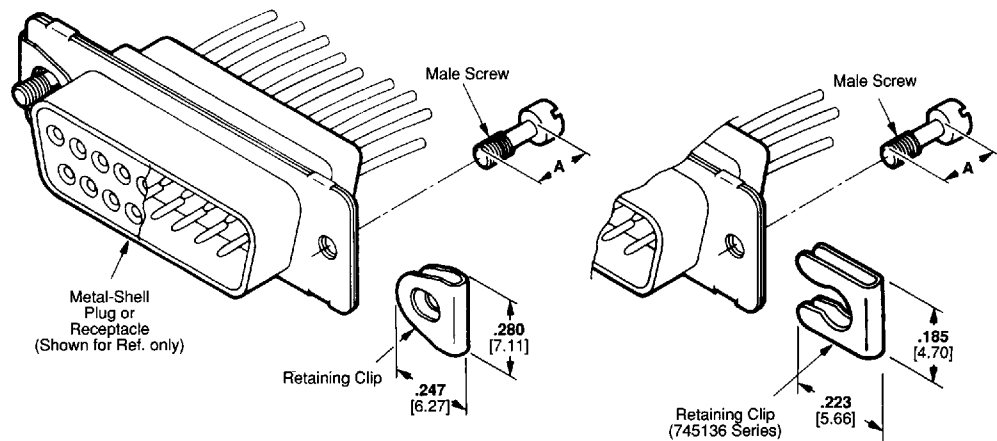
**Male Screw**—Steel, zinc plated clear or yellow chromate  
**Retaining Clip**—.012 [0.31] stainless steel

#### Related Product Data:

**Connectors used with:**  
**HDE Metal-Shell**—pages 20 & 21  
**HDP Metal-Shell**—pages 42 & 43

#### Technical Documents:

**Instruction Sheet**—408-7837



Male Screw Finish	Thread Size	Dimension A	Male Screw Retainer Kit No.	
			Individual	Bulk Packed*
Yellow Chromate	4-40	.220 5.59	205980-1	205980-3
		.200 5.08	745136-1	745136-2
	M3 (Metric)	.225 5.72	207871-1	—
Clear Chromate	4-40	.220 5.59	205980-4	205980-5
		.200 5.08	745136-3	745136-4

\*Each part is individually bulk packed for multiple kit orders.

- Notes:**
1. All parts are packaged unassembled.
  2. Each kit is comprised of two male screws and two retaining clips. Male screw retainers are also furnished as part of cable clamp kits (pages 73 and 74).
  3. Male screw retainers mate with female screwlocks (page 80), with HDF metal-shell connectors featuring 4-40 threaded inserts (page 84) and with HD metal-shell board mount connectors featuring 4-40 threaded inserts or female screwlocks.
  4. Retaining clip must be assembled onto connector flanges with threaded hole toward wire side of connector.