

2058299-1 ✓ ACTIVE

LUMAWISE

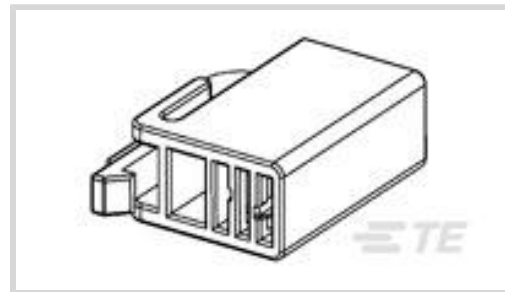
TE Internal #: 2058299-1

Rectangular Connector Housings, Wire-to-Board, 2 Position, .157 in [4 mm] Centerline, 1 Row, LCP (Liquid Crystal Polymer), Hermaphroditic

[View on TE.com >](#)



Connectors > Rectangular Connectors > Rectangular Connector Housings



Connector System: **Wire-to-Board**

Number of Positions: **2**

Centerline (Pitch): **4 mm [.157 in]**

Number of Rows: **1**

Housing Material: **LCP (Liquid Crystal Polymer)**

Features

Product Type Features

Connector System	Wire-to-Board
Connector & Housing Type	Hermaphroditic
Sealable	No
Connector & Contact Terminates To	Wire & Cable
Connector Type	Housing
Product Type	Connector
Glow Wire Rating	Standard Part - Not Glow Wire

Configuration Features

Number of Positions	2
Number of Rows	1

Electrical Characteristics

Operating Voltage	90 VDC
-------------------	--------

Housing Features

Centerline (Pitch)	4 mm [.157 in]
Housing Material	LCP (Liquid Crystal Polymer)
Housing Color	Natural

Dimensions

Height	6.35 mm [.249 in]
--------	-------------------



Length	19.35 mm[.762 in]
--------	-------------------

Width	12.4 mm[.49 in]
-------	-----------------

Usage Conditions

Operating Temperature Range	-40 – 105 °C
-----------------------------	--------------

Operation/Application

Circuit Application	Power
---------------------	-------

Identification Marking

Circuit Identification Feature	With
--------------------------------	------

Industry Standards

Agency/Standard	C22.2 No. 182.3-M1987, CSA, UL 1977, UL
-----------------	---

UL File Number	E28476
----------------	--------

UL Flammability Rating	UL 94V-0
------------------------	----------

Packaging Features

Packaging Method	Loose Piece
------------------	-------------

Product Compliance

[For compliance documentation, visit the product page on TE.com>](#)

EU RoHS Directive 2011/65/EU	Compliant
------------------------------	-----------

EU ELV Directive 2000/53/EC	Compliant
-----------------------------	-----------

China RoHS 2 Directive MIIT Order No 32, 2016	No Restricted Materials Above Threshold
---	---

EU REACH Regulation (EC) No. 1907/2006	Current ECHA Candidate List: JUNE 2022 (224) Candidate List Declared Against: JAN 2022 (223) SVHC > Threshold: Not Yet Reviewed
--	--

Halogen Content	Not Low Halogen - contains Br or Cl > 900 ppm.
-----------------	--

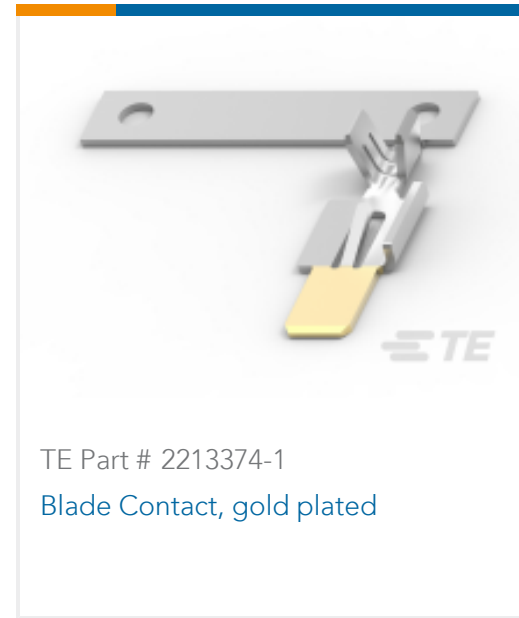
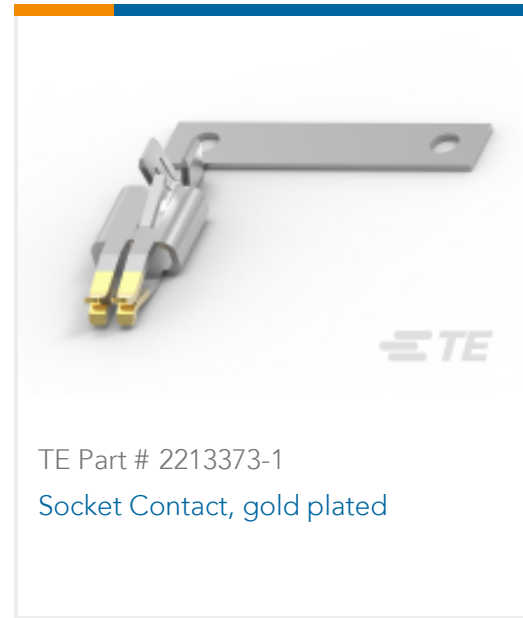
Solder Process Capability	Not applicable for solder process capability
---------------------------	--

Product Compliance Disclaimer

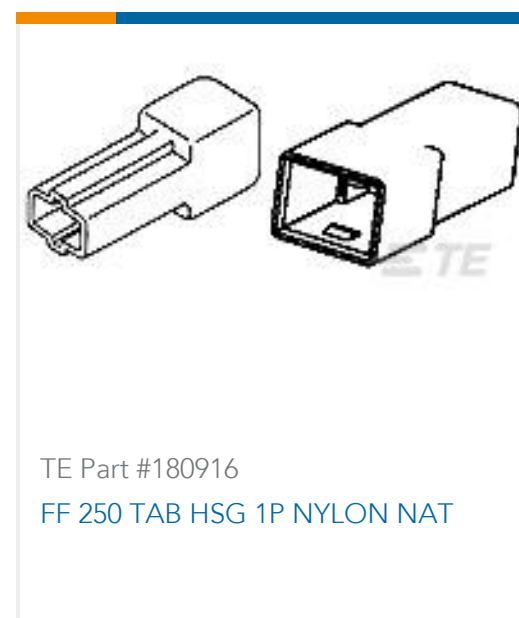
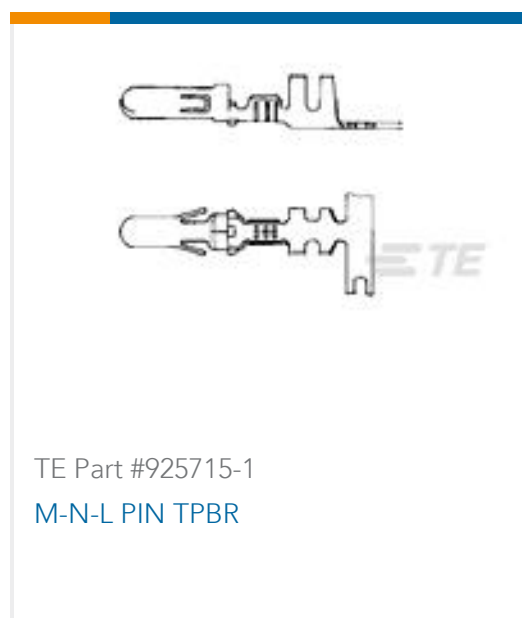
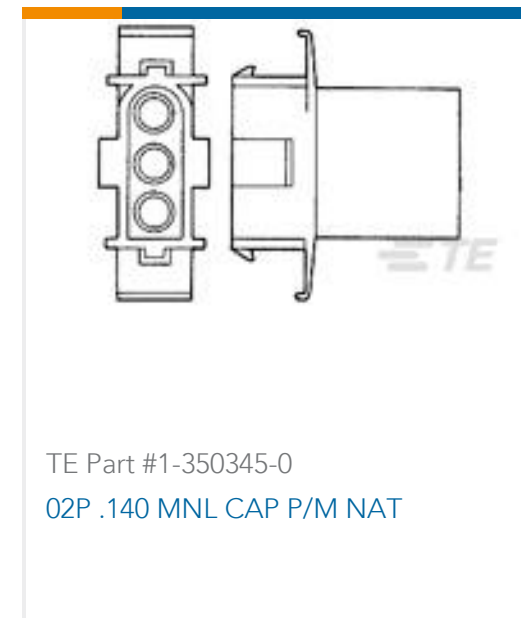
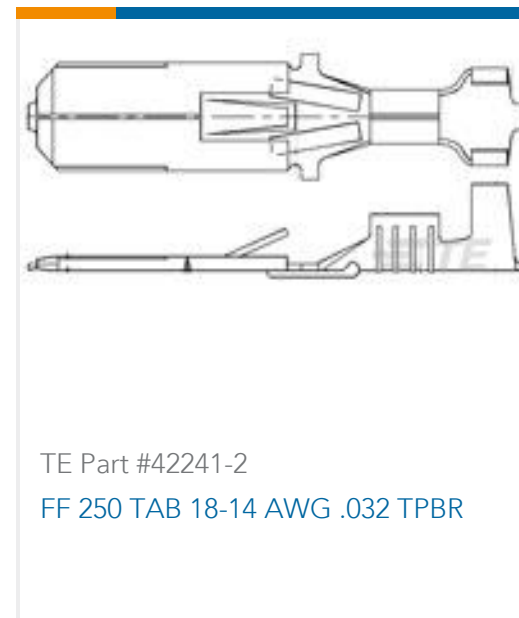
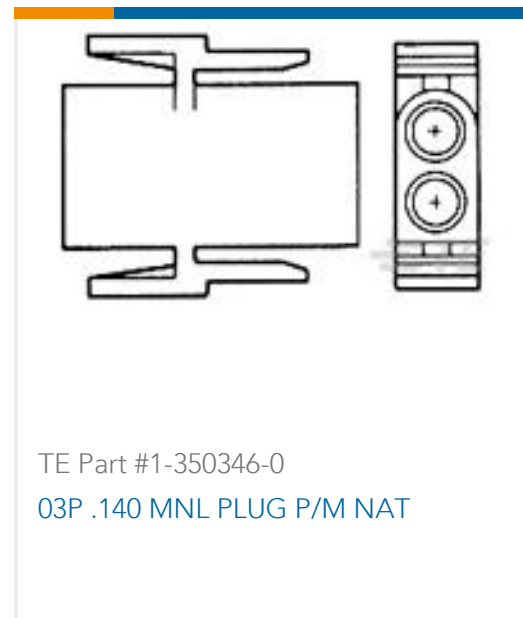
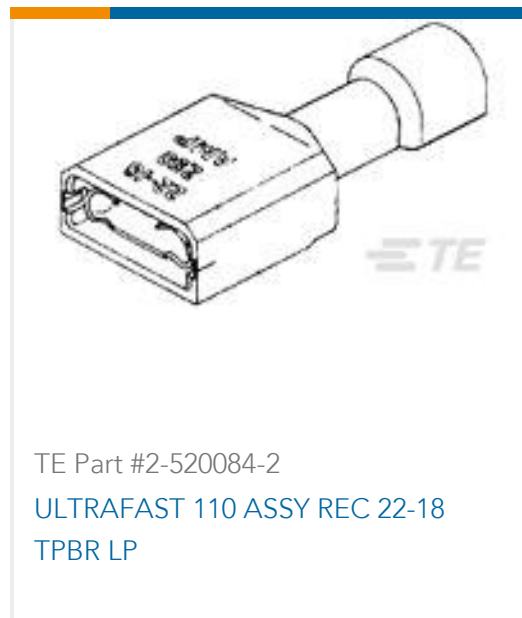
This information is provided based on reasonable inquiry of our suppliers and represents our current actual knowledge based on the information they provided. This information is subject to change. The part numbers that TE has identified as EU RoHS compliant have a maximum concentration of 0.1% by weight in homogenous materials for lead, hexavalent chromium, mercury, PBB, PBDE, DBP, BBP, DEHP, DIBP, and 0.01% for cadmium, or qualify for an exemption to these limits as defined in the Annexes of Directive 2011/65/EU (RoHS2). Finished electrical and electronic equipment products will be CE marked as required by Directive 2011/65/EU. Components may not be CE marked. Additionally, the part numbers that TE has identified as EU ELV compliant have a maximum concentration of 0.1% by weight in homogenous

materials for lead, hexavalent chromium, and mercury, and 0.01% for cadmium, or qualify for an exemption to these limits as defined in the Annexes of Directive 2000/53/EC (ELV). Regarding the REACH Regulation, the information TE provides on SVHC in articles for this part number is based on the latest European Chemicals Agency (ECHA) 'Guidance on requirements for substances in articles' posted at this URL: <https://echa.europa.eu/guidance-documents/guidance-on-reach>

Compatible Parts



Customers Also Bought



Documents

[Product Drawings](#)

WTB HOUSING, 2 POS, NATURAL



English

CAD Files

Customer View Model

[ENG_CVM_CVM_2058299-1_A.2d_dxf.zip](#)

English

3D PDF

3D

Customer View Model

[ENG_CVM_CVM_2058299-1_A.3d_igs.zip](#)

English

Customer View Model

[ENG_CVM_CVM_2058299-1_A.3d_stp.zip](#)

English

By downloading the CAD file I accept and agree to the [Terms and Conditions](#) of use.

Datasheets & Catalog Pages

[Hermaphroditic Connectors with Select Gold Plating Flyer](#)

[Hermaphroditic Connectors with Select Gold Plating Flyer](#)

English

[HERMAPHRODITIC_WIRE-TO-BOARD_AND_BOARD-TO-BOARD](#)

[HERMAPHRODITIC_WIRE-TO-BOARD_AND_BOARD-TO-BOARD](#)

English

Product Specifications

[Application Specification](#)

English

Agency Approvals

[UL Report](#)

English