

1939115-1 ✓ ACTIVE

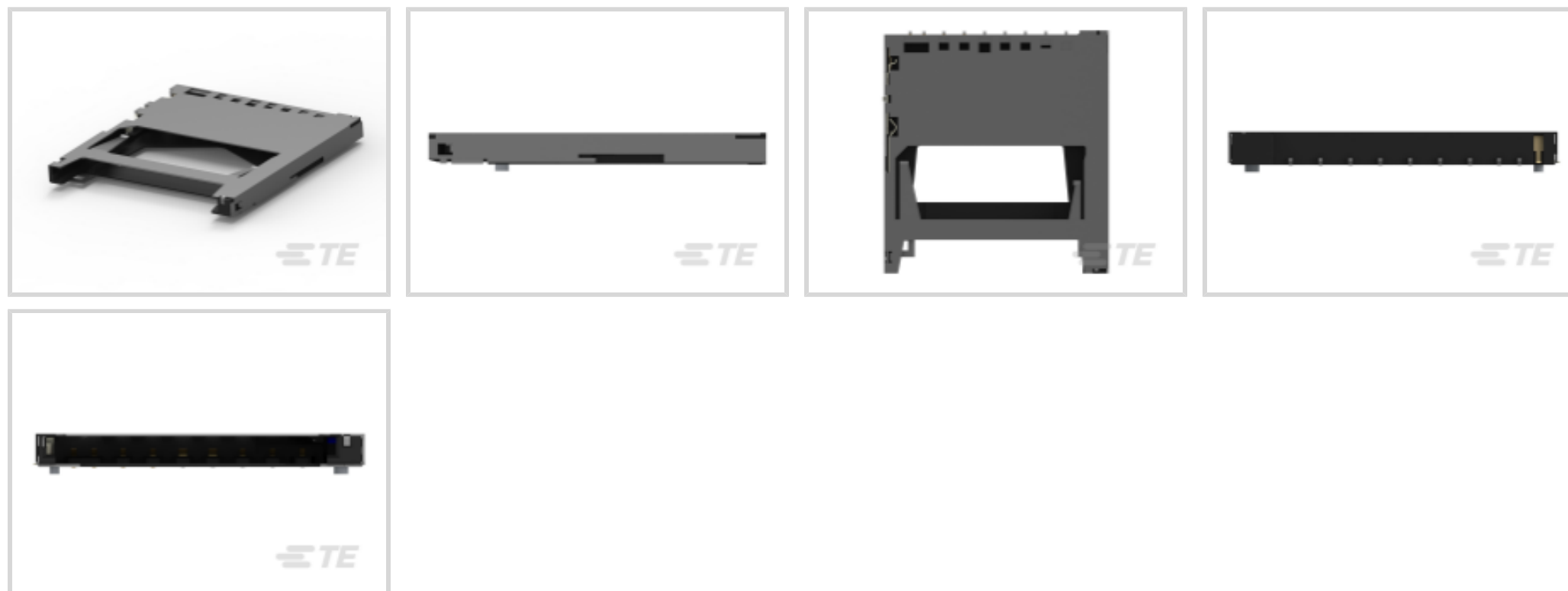


TE Internal #: 1939115-1

SD Card Connectors, Secure Digital Compatible Card, 9 Position,  
2.4 mm / 2.5 mm / 1.7 mm [.1 in / .09 in / .06 in] Centerline, Surface  
Mount Mount

[View on TE.com >](#)

Connectors > PCB Connectors > Memory Card Connectors > SD Card Connectors



Compatible Card: **Secure Digital**

Number of Positions: **9**

Centerline (Pitch): **1.7 mm, 2.4 mm, 2.5 mm [.06 in, .09 in, .1 in]**

PCB Mounting Style: **Surface Mount**

PCB Mount Orientation: **Right Angle**

## Features

### Product Type Features

Compatible Card	Secure Digital
Connector & Contact Terminates To	Printed Circuit Board
Product Type	Removable Memory Products
Shielded	No

### Configuration Features

Lead Configuration	Inline
Operating Function	Push-On Push-Off
Number of Positions	9
PCB Mount Orientation	Right Angle
Number of Rows	1

### Body Features

Hold-Down	With
Color	Black
Shell Material	Copper Alloy



### Contact Features

Vacuum Tape	Without
Contact Underplating Material	Nickel
PCB Contact Termination Area Plating Material	Tin
Contact Base Material	Copper Alloy
Contact Current Rating (Max)	.5 A
Contact Mating Area Plating Material	Gold
Contact Mating Area Plating Thickness	.2 – .5 $\mu$ m

### Mechanical Attachment

Polarizing Post Length	.55 mm[.022 in]
PCB Mounting Style	Surface Mount
Connector Mounting Type	Board Mount

### Housing Features

Centerline (Pitch)	1.7 mm, 2.4 mm, 2.5 mm [.06 in][.09 in][.1 in]
Housing Color	Black
Housing Material	LCP (Liquid Crystal Polymer)

### Dimensions

Solder Tab Length	.8 mm [.032 in]
Profile Height from PCB	2.95 mm [.116 in]

### Usage Conditions

Operating Temperature Range	-25 – 85 °C [-13 – 185 °F]
-----------------------------	----------------------------

### Operation/Application

Circuit Application	Signal
---------------------	--------

### Industry Standards

UL Flammability Rating	UL 94V-0
------------------------	----------

### Packaging Features

Packaging Method	Tape & Reel
------------------	-------------

### Product Compliance

For compliance documentation, visit the product page on [TE.com](https://www.te.com)>

EU RoHS Directive 2011/65/EU	Compliant
EU ELV Directive 2000/53/EC	Compliant



China RoHS 2 Directive MIIT Order No 32, 2016	No Restricted Materials Above Threshold
EU REACH Regulation (EC) No. 1907/2006	Current ECHA Candidate List: JUNE 2022 (224) Candidate List Declared Against: JAN 2022 (223) SVHC > Threshold: Not Yet Reviewed
Halogen Content	Low Halogen - Br, Cl, F, I < 900 ppm per homogenous material. Also BFR/CFR/PVC Free
Solder Process Capability	Reflow solder capable to 245°C

Product Compliance Disclaimer

This information is provided based on reasonable inquiry of our suppliers and represents our current actual knowledge based on the information they provided. This information is subject to change. The part numbers that TE has identified as EU RoHS compliant have a maximum concentration of 0.1% by weight in homogenous materials for lead, hexavalent chromium, mercury, PBB, PBDE, DBP, BBP, DEHP, DIBP, and 0.01% for cadmium, or qualify for an exemption to these limits as defined in the Annexes of Directive 2011/65/EU (RoHS2). Finished electrical and electronic equipment products will be CE marked as required by Directive 2011/65/EU. Components may not be CE marked. Additionally, the part numbers that TE has identified as EU ELV compliant have a maximum concentration of 0.1% by weight in homogenous materials for lead, hexavalent chromium, and mercury, and 0.01% for cadmium, or qualify for an exemption to these limits as defined in the Annexes of Directive 2000/53/EC (ELV). Regarding the REACH Regulation, the information TE provides on SVHC in articles for this part number is based on the latest European Chemicals Agency (ECHA) 'Guidance on requirements for substances in articles' posted at this URL: <https://echa.europa.eu/guidance-documents/guidance-on-reach>

### Compatible Parts



TE Part # 1939870-1  
SD CARD CONNECTOR EMBOSS ASSY



TE Part # 2013357-1  
SD CONN STD EMBOSS W/B

### Customers Also Bought



TE Part #5352332-1  
2MM HM TYPE A MALE HDR 154 POS



TE Part #1744037-4  
04P EC PWR.200 CL HDR ASSY VRT



TE Part #1857994-1  
Z-PACK/A F-HDR 110P, EON



TE Part #207398-7  
MMATE PIN HDR ASSY,10P LF



## Documents

### Product Drawings

#### SD CONN STD EMBOSS W/B REVERSE

English

### CAD Files

#### Customer View Model

[ENG\\_CVM\\_CVM\\_1939115-1\\_C.2d\\_dxf.zip](#)

English

#### 3D PDF

3D

#### Customer View Model

[ENG\\_CVM\\_CVM\\_1939115-1\\_C.3d\\_igs.zip](#)

English

#### Customer View Model

[ENG\\_CVM\\_CVM\\_1939115-1\\_C.3d\\_stp.zip](#)

English

By downloading the CAD file I accept and agree to the [Terms and Conditions](#) of use.

### Product Specifications

#### Product Specification

English

### Product Environmental Compliance

[MD\\_1939115-1\\_04282015928\\_dmtec](#)

English

[MD\\_1939115-1\\_04282015928\\_dmtec](#)

English