

1969825-8 ✓ ACTIVE

Economy Power 2.5

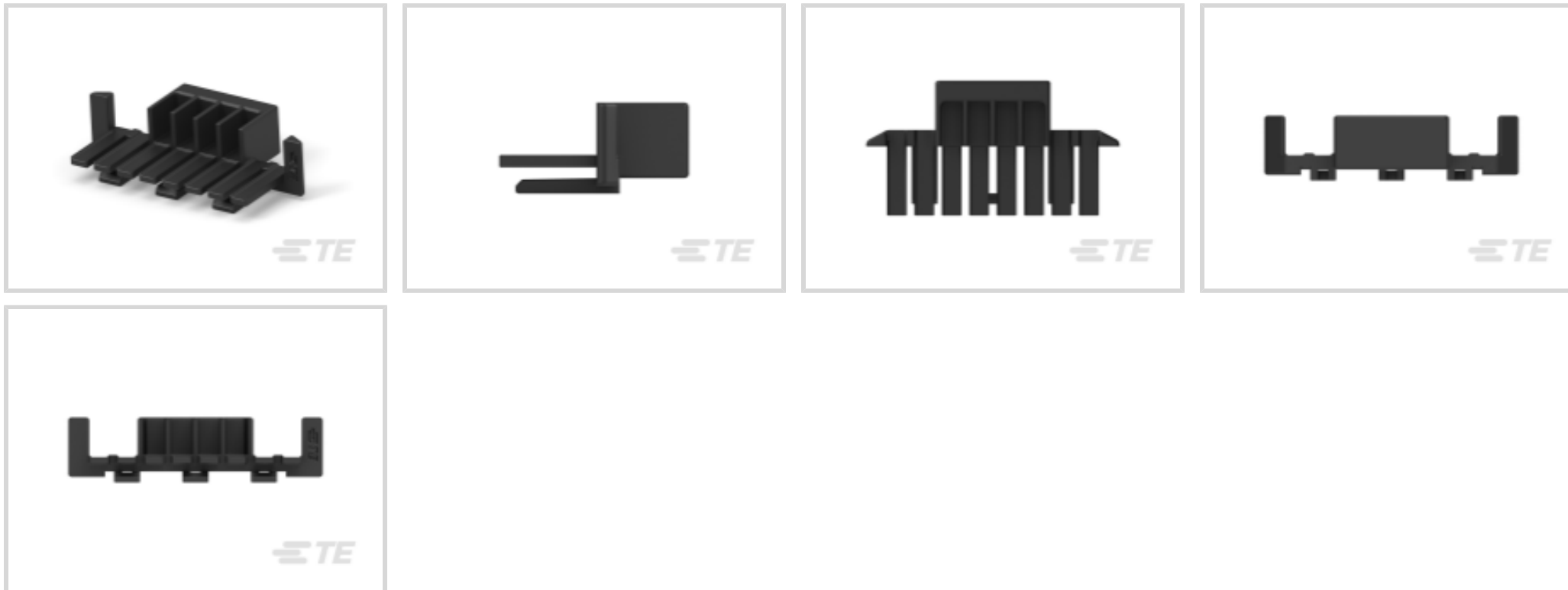
TE Internal #: 1969825-8

PCB Latches, Locks & Retainers, Retainer, Wire-to-Wire, 8 Position, .098 in [2.5 mm] Centerline, Wire & Cable, 1 Row, Economy Power 2.5

[View on TE.com >](#)



Connectors > PCB Connectors > PCB Connector Accessories > PCB Connector Hardware > PCB Latches, Locks & Retainers



Connector & Contact Retention Accessory Type: **Retainer**

Connector System: **Wire-to-Wire**

Number of Positions: **8**

Centerline (Pitch): **2.5 mm [.098 in]**

Sealable: **No**

Features

Product Type Features

Connector & Contact Retention Accessory Type	Retainer
Connector System	Wire-to-Wire
Sealable	No
Connector & Contact Terminates To	Wire & Cable

Configuration Features

Number of Positions	8
Number of Rows	1

Contact Features

Contact Current Rating (Max)	4.2 A
------------------------------	-------

Mechanical Attachment

Connector Mounting Type	Cable Mount (Free-Hanging)
-------------------------	----------------------------

Housing Features

Centerline (Pitch)	2.5 mm[.098 in]
--------------------	-----------------



Dimensions

Row-to-Row Spacing	2.5 mm[.098 in]
--------------------	-----------------

Usage Conditions

Operating Temperature Range	-55 – 105 °C[-67 – 221 °F]
-----------------------------	----------------------------

Operation/Application

Circuit Application	Power & Signal
---------------------	----------------

Product Compliance

[For compliance documentation, visit the product page on TE.com>](#)

EU RoHS Directive 2011/65/EU	Compliant
EU ELV Directive 2000/53/EC	Compliant
China RoHS 2 Directive MIIT Order No 32, 2016	No Restricted Materials Above Threshold
EU REACH Regulation (EC) No. 1907/2006	Current ECHA Candidate List: JUNE 2022 (224) Candidate List Declared Against: JAN 2022 (223) SVHC > Threshold: Not Yet Reviewed
Halogen Content	Not Low Halogen - contains Br or Cl > 900 ppm.
Solder Process Capability	Not reviewed for solder process capability

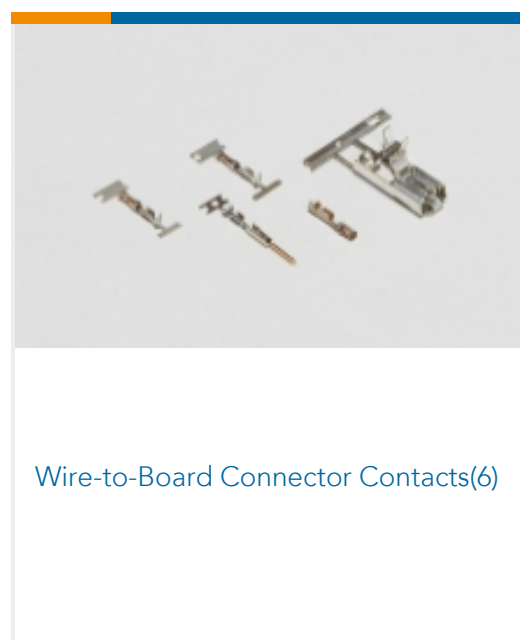
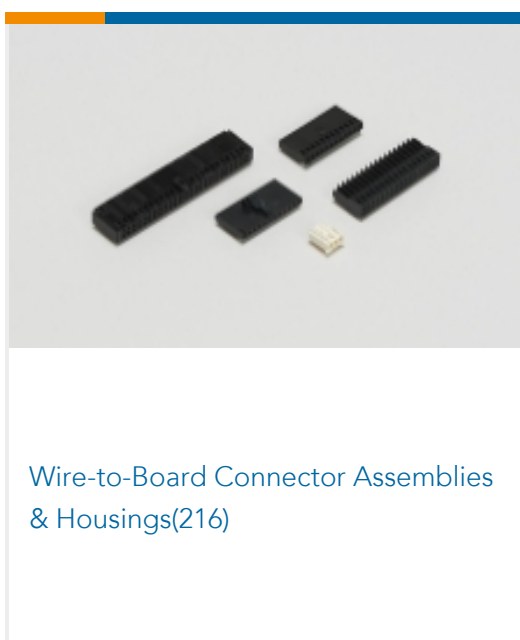
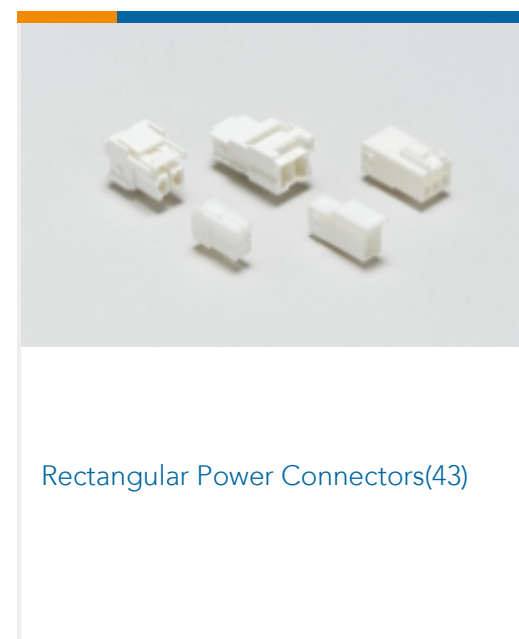
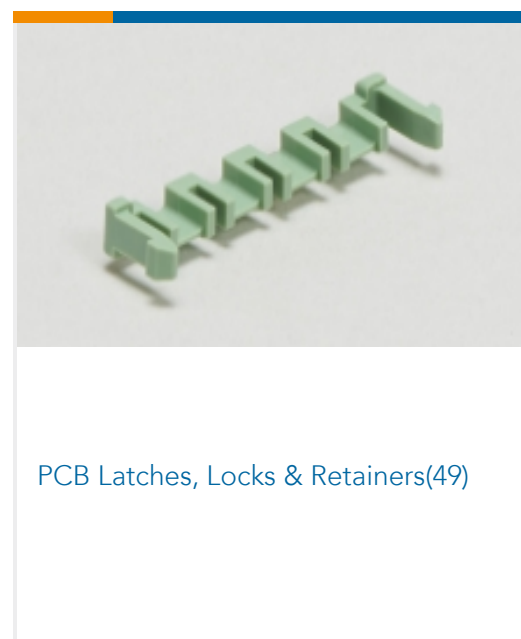
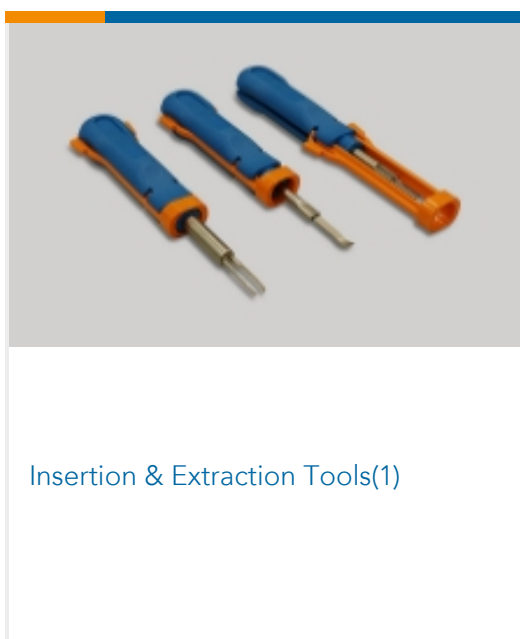
Product Compliance Disclaimer

This information is provided based on reasonable inquiry of our suppliers and represents our current actual knowledge based on the information they provided. This information is subject to change. The part numbers that TE has identified as EU RoHS compliant have a maximum concentration of 0.1% by weight in homogenous materials for lead, hexavalent chromium, mercury, PBB, PBDE, DBP, BBP, DEHP, DIBP, and 0.01% for cadmium, or qualify for an exemption to these limits as defined in the Annexes of Directive 2011/65/EU (RoHS2). Finished electrical and electronic equipment products will be CE marked as required by Directive 2011/65/EU. Components may not be CE marked. Additionally, the part numbers that TE has identified as EU ELV compliant have a maximum concentration of 0.1% by weight in homogenous materials for lead, hexavalent chromium, and mercury, and 0.01% for cadmium, or qualify for an exemption to these limits as defined in the Annexes of Directive 2000/53/EC (ELV). Regarding the REACH Regulation, the information TE provides on SVHC in articles for this part number is based on the latest European Chemicals Agency (ECHA) 'Guidance on requirements for substances in articles' posted at this URL: <https://echa.europa.eu/guidance-documents/guidance-on-reach>

Compatible Parts



Also in the Series | Economy Power 2.5



Customers Also Bought



TE Part #1969442-9
EP 2.5 TPA Housing, 9 Pos



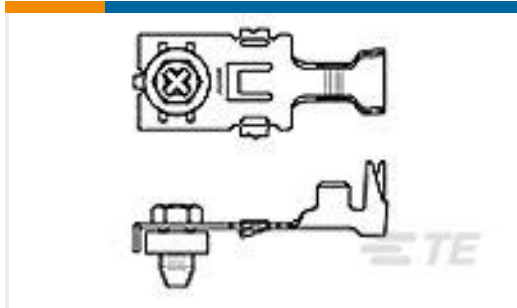
TE Part #1969443-9
EP 2.5 TPA Retainer, 9 Pos



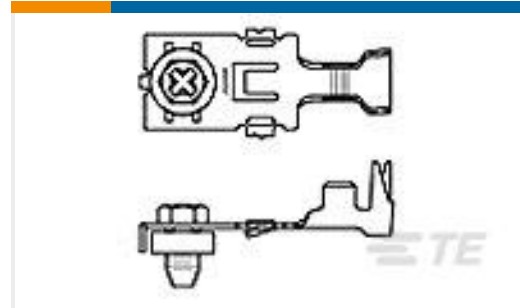
TE Part #1897058-1
CONNECTOR .125/.250 SERIES



TE Part #1-1969443-0
EP 2.5 TPA Retainer, 10 Pos



TE Part #521843-1
POWER BLOCK ASSEMBLY 16-12
AWG PTPBR



TE Part #521844-1
POWER BLOCK ASSEMBLY 16-12
AWG BR



TE Part #1-1743216-1
GAS VALVE 2P HSG



TE Part #1-1743217-1
GAS VALVE 3P HSG

Documents

CAD Files

3D PDF

3D

Customer View Model

[ENG_CVM_CVM_1969825-8_B.2d_dxf.zip](#)

English

Customer View Model

[ENG_CVM_CVM_1969825-8_B.3d_igs.zip](#)

English

Customer View Model

[ENG_CVM_CVM_1969825-8_B.3d_stp.zip](#)

English

By downloading the CAD file I accept and agree to the [Terms and Conditions](#) of use.

Product Specifications

Application Specification

English

Product Environmental Compliance

Product Compliance

English

Product Compliance

English

Agency Approvals

VDE Certificate

English

1969825-8

PCB Latches, Locks & Retainers, Retainer, Wire-to-Wire, 8 Position, .098 in [2.5 mm]
Centerline, Wire & Cable, 1 Row, Economy Power 2.5

