

207604-1 ✓ ACTIVE

AMP | AMP Metrimate

TE Internal #: 207604-1

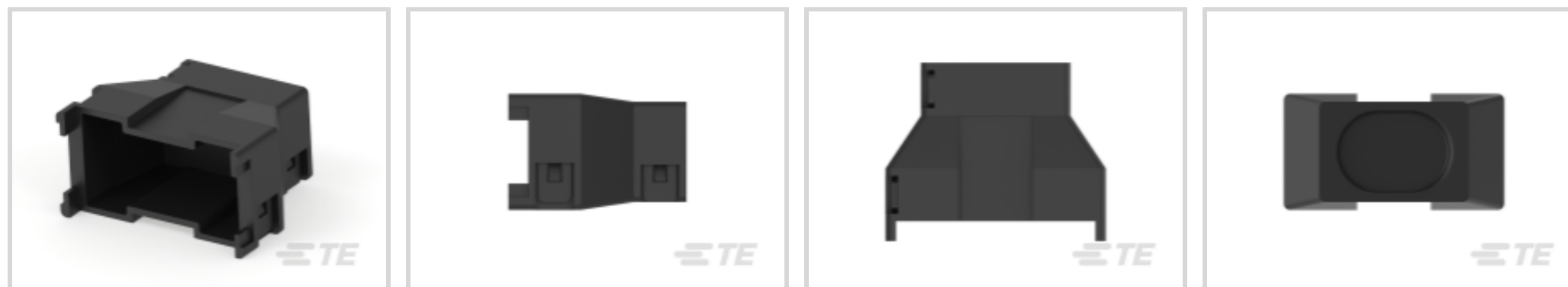
Rectangular Boots & Strain Relief, Strain Relief Kit, Nylon, Black, 36

Position, -55 – 130 °C [-67 – 266 °F], AMP Metrimate

[View on TE.com >](#)



Connectors > Rectangular Connectors > Rectangular Connector Accessories > Rectangular Boots & Strain Relief



Protection & Strain Relief Accessory Type: **Strain Relief Kit**

Primary Product Material: **Nylon**

Primary Product Color: **Black**

Number of Positions: **36**

Sealable: **No**

Features

Product Type Features

Protection & Strain Relief Accessory Type	Strain Relief Kit
Sealable	No
Product Type	Accessory

Configuration Features

Number of Positions	36
---------------------	----

Body Features

Primary Product Material	Nylon
Primary Product Color	Black

Usage Conditions

Operating Temperature Range	-55 – 130 °C[-67 – 266 °F]
-----------------------------	----------------------------

Industry Standards

UL File Number	E28476
VDE Tested	Yes
Agency/Standard	CSA, UL
CSA File Number	LR16455
UL Rating	Certified, Recognized

Packaging Features

Packaging Method	Bag
Packaging Quantity	1

Product Compliance

[For compliance documentation, visit the product page on TE.com>](#)

EU RoHS Directive 2011/65/EU	Compliant
EU ELV Directive 2000/53/EC	Compliant
China RoHS 2 Directive MIIT Order No 32, 2016	No Restricted Materials Above Threshold
EU REACH Regulation (EC) No. 1907/2006	Current ECHA Candidate List: JUNE 2022 (224) Candidate List Declared Against: JAN 2022 (223) SVHC > Threshold: Not Yet Reviewed
Halogen Content	Not Low Halogen - contains Br or Cl > 900 ppm.
Solder Process Capability	Not applicable for solder process capability

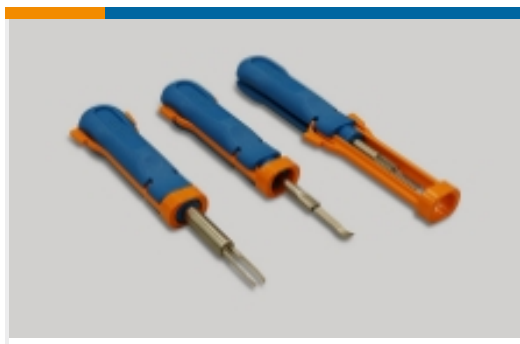
Product Compliance Disclaimer

This information is provided based on reasonable inquiry of our suppliers and represents our current actual knowledge based on the information they provided. This information is subject to change. The part numbers that TE has identified as EU RoHS compliant have a maximum concentration of 0.1% by weight in homogenous materials for lead, hexavalent chromium, mercury, PBB, PBDE, DBP, BBP, DEHP, DIBP, and 0.01% for cadmium, or qualify for an exemption to these limits as defined in the Annexes of Directive 2011/65/EU (RoHS2). Finished electrical and electronic equipment products will be CE marked as required by Directive 2011/65/EU. Components may not be CE marked. Additionally, the part numbers that TE has identified as EU ELV compliant have a maximum concentration of 0.1% by weight in homogenous materials for lead, hexavalent chromium, and mercury, and 0.01% for cadmium, or qualify for an exemption to these limits as defined in the Annexes of Directive 2000/53/EC (ELV). Regarding the REACH Regulation, the information TE provides on SVHC in articles for this part number is based on the latest European Chemicals Agency (ECHA) 'Guidance on requirements for substances in articles' posted at this URL: <https://echa.europa.eu/guidance-documents/guidance-on-reach>

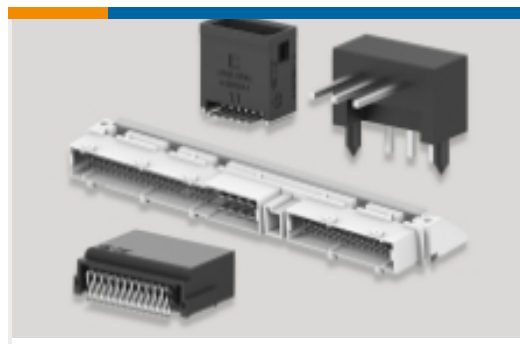
Compatible Parts



Also in the Series | [AMP Metrimate](#)



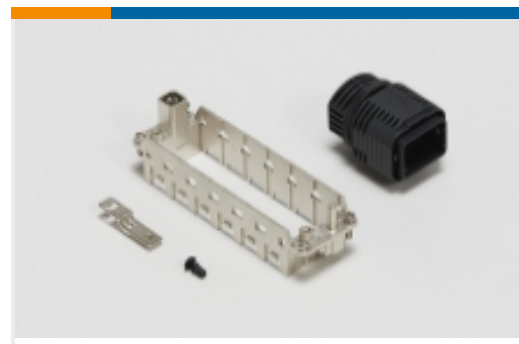
Insertion & Extraction Tools(1)



PCB Headers & Receptacles(83)



Rectangular Boots & Strain Relief(5)



Rectangular Connector Hardware(3)



Rectangular Connector Housings(35)



Rectangular Connector Keying Plugs(1)



Rectangular Contact Inserts(4)



Rectangular Power Connectors(2)



Standard Rectangular Connectors(5)

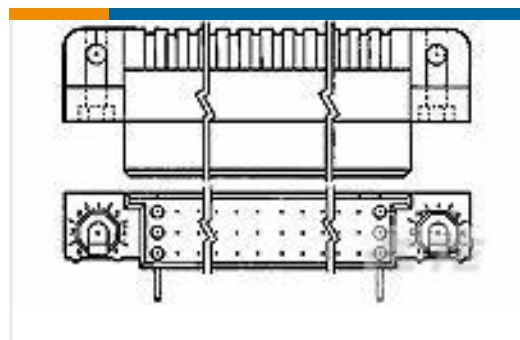
Customers Also Bought



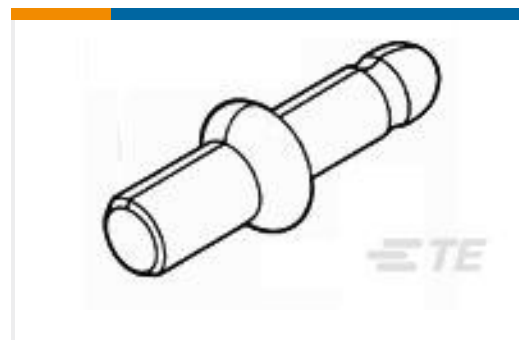
TE Part #207444-8
METRIMATE PIN HEADER ASSY,18P



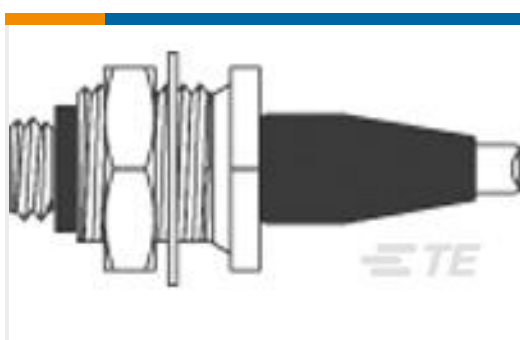
TE Part #207541-7
MMATE PIN HEADER ASSY,3P LF



TE Part #1-5533268-2
ASSY,RECPT,R.ANGLE,HDI,LEAD-FR



TE Part #61097-1
.058 DIA PIN L/P



TE Part #1467936-1
031-0033-0001



TE Part #1466115-1
03202170022

Documents



Product Drawings

[METRIMATE,STR REL KIT,36P](#)

English

CAD Files

[3D PDF](#)

English

Customer View Model

[ENG_CVM_207604-1_D.3d_igs.zip](#)

English

Customer View Model

[ENG_CVM_207604-1_D.3d_stp.zip](#)

English

Customer View Model

[ENG_CVM_207604-1_D.2d_dxf.zip](#)

English

By downloading the CAD file I accept and agree to the [Terms and Conditions](#) of use.

Datasheets & Catalog Pages

[METRIMATE_PIN_SOCKET_CATALOG](#)

English

Product Specifications

[Application Specification](#)

English

[Application Specification](#)

English

[METRIMATE Self-Locking Connectors](#)

Japanese

[Application Specification](#)

Japanese

Product Environmental Compliance

[MD_207604-1_11102017625_dmtec](#)

English

[MD_207604-1_11102017625_dmtec](#)

English

Instruction Sheets

[Instruction Sheet \(U.S.\)](#)

English

Agency Approvals

[CSA Certificate](#)

English