

1-968882-1 ! PENDING OBSOLESCENCE

## AMP MCP Connector System

TE Internal #: 1-968882-1

TE Internal Description: AMP MCP 2.8, CONTACT SWS

AMP MCP, RECEPTACLE AND TAB

[View on TE.com >](#)



### All AMP MCP, RECEPTACLE AND TAB (125)

## Product Compliance


[For compliance documentation, visit the product page on TE.com>](#)

EU RoHS Directive 2011/65/EU	Compliant
EU ELV Directive 2000/53/EC	Compliant
China RoHS 2 Directive MIIT Order No 32, 2016	No Restricted Materials Above Threshold
EU REACH Regulation (EC) No. 1907/2006	Current ECHA Candidate List: JUNE 2022 (224) Candidate List Declared Against: JAN 2022 (223) SVHC > Threshold: Not Yet Reviewed
Halogen Content	Low Halogen - Br, Cl, F, I < 900 ppm per homogenous material. Also BFR/CFR/PVC Free
Solder Process Capability	Not applicable for solder process capability

### Product Compliance Disclaimer

This information is provided based on reasonable inquiry of our suppliers and represents our current actual knowledge based on the information they provided. This information is subject to change. The part numbers that TE has identified as EU RoHS compliant have a maximum concentration of 0.1% by weight in homogenous materials for lead, hexavalent chromium, mercury, PBB, PBDE, DBP, BBP, DEHP, DIBP, and 0.01% for cadmium, or qualify for an exemption to these limits as defined in the Annexes of Directive 2011/65/EU (RoHS2). Finished electrical and electronic equipment products will be CE marked as required by Directive 2011/65/EU. Components may not be CE marked. Additionally, the part numbers that TE has identified as EU ELV compliant have a maximum concentration of 0.1% by weight in homogenous materials for lead, hexavalent chromium, and mercury, and 0.01% for cadmium, or qualify for an exemption to these limits as defined in the Annexes of Directive 2000/53/EC (ELV). Regarding the REACH Regulation, the information TE provides on SVHC in articles for this part number is based on the latest European Chemicals Agency (ECHA) 'Guidance on requirements for substances in articles' posted at this URL: <https://echa.europa.eu/guidance-documents/guidance-on-reach>

## Compatible Parts



TE Part # CAT-L489-CH8172  
LEAVYSEAL HOUSINGS



TE Part # CAT-H3399-CH8172  
Heavy Duty Sealed Connector Series Housings



TE Part # CAT-M4595-CH8172  
MCON, CONNECTOR HOUSING



TE Part # 1743632-2  
HYB SLD 36P PLUG ASSY



TE Part # CAT-AM705-CH8172  
AMP MCP, SEALED CONNECTOR HOUSING



TE Part # 1579007-1  
AUSDRUECKWERKZEUG



TE Part # 828922-1  
2,5MM CAVITY PLUG FOR 5,4MM DI



TE Part # 828904-1  
SINGLE WIRE SEAL FOR J.P.T.CON



TE Part # 2305570-1  
TERMINAL CUTTER, SIDE FEED



TE Part # CAT-M8793-CH8172  
MQS, CONNECTOR HOUSING



TE Part # CAT-AM705-CH8173  
AMP MCP, UNSEALED CONNECTOR HOUSING



TE Part # 2-2151559-1  
OCEAN\_2.0\_APPLICATOR-S-062F1550



TE Part # 2-2293551-1  
62POS,MIXED,REC HSG,ASSY,SLD



TE Part # 2-2837785-1  
OCEAN-2.0-APPLICATOR-S-059SP165SP



TE Part # 2-2837785-2  
OCEAN-2.0-APPLICATOR-S-059SP165SP



TE Part # 2837785-1  
OCEAN-2.0-APPLICATOR-S-059SP165SP



TE Part # 2837785-2  
OCEAN-2.0-APPLICATOR-S-059SP165SP



TE Part # 3-2293551-1  
62POS,MIXED,REC HSG,ASSY,SLD



TE Part # 7-2837785-1  
OCEAN-2.0-APPLICATOR-S-059SP165SP

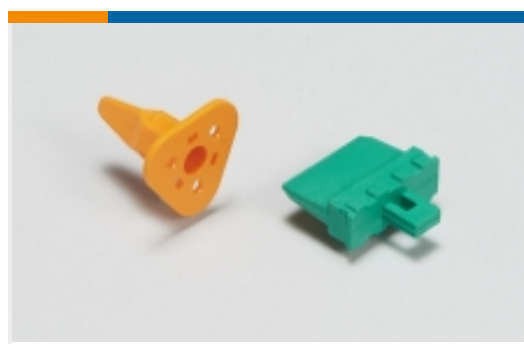


TE Part # 7-2837785-2  
OCEAN-2.0-APPLICATOR-S-059SP165SP

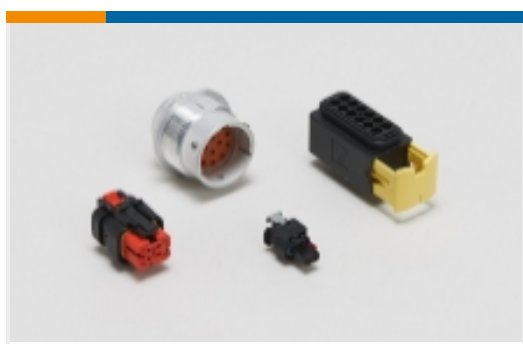
Also in the Series | **AMP MCP Connector System**



Automotive Connector Caps & Covers (24)



Automotive Connector Locks & Position Assurance(7)



Automotive Housings(352)



Automotive Seals & Cavity Plugs(6)



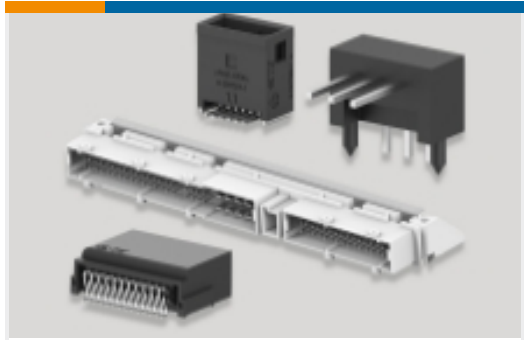
Automotive Terminals(125)



Insertion & Extraction Tools(13)



Other Automotive Connector Accessories(2)

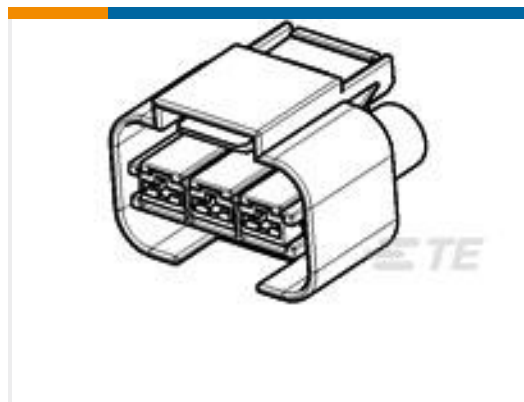


PCB Headers & Receptacles(29)

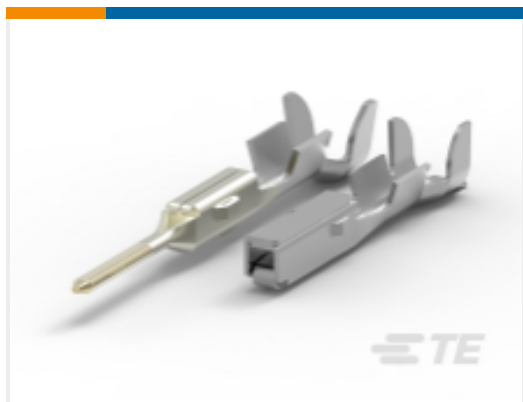
## Customers Also Bought



TE Part #1-1879071-0  
THS50 R68 5%



TE Part #1743271-2  
SPT SLD 3P PLUG ASSY BLK



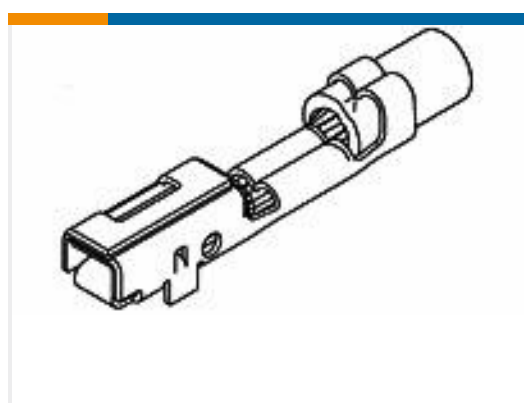
TE Part #2109006-2  
MULTILOCK, RECEPTACLE AND TAB



TE Part #2822365-2  
EJ-2 DBL LOCK PLUG 2P ASSY D GRAY



TE Part #2005431-1  
025/090 HYB 34P PLUG ASSY



TE Part #368084-1  
090II NON SLD REC(SQ0.85-1.25)



TE Part #2005434-1  
025/090 HYB 34P CAP ASSY



TE Part #2294463-2  
MCON 1.2 CB TAB MONO

## Documents

### Product Drawings

[AMP MCP 2.8, CONTACT SWS](#)

English

[AMP MCP 2.8, CONTACT SWS](#)

English

### CAD Files

[3D PDF](#)



3D

Customer View Model

[ENG\\_CVM\\_CVM\\_1-968882-1\\_E.2d\\_dxf.zip](#)

English

Customer View Model

[ENG\\_CVM\\_CVM\\_1-968882-1\\_E.3d\\_igs.zip](#)

English

Customer View Model

[ENG\\_CVM\\_CVM\\_1-968882-1\\_E.3d\\_stp.zip](#)

English

By downloading the CAD file I accept and agree to the [Terms and Conditions](#) of use.

---

## Datasheets & Catalog Pages

[CONNECTOR SELECTOR](#)

English

---

## Product Specifications

[Application Specification](#)

German

[Application Specification](#)

English

---

## Product Environmental Compliance

[Product Compliance](#)

English

[Product Compliance](#)

English