

2098252-1 ✓ ACTIVE

AMP | AMPSEAL 16

TE Internal #: 2098252-1

Automotive Terminals, Pin, Pin Diameter .063 in [1.59 mm], 15 – 13

AWG Wire Size, 1.5 – 2.5 mm<sup>2</sup> Wire Size, Locking Clean Body,

AMPSEAL 16

[View on TE.com >](#)



Terminals & Splices > Automotive Terminals > Contacts: Size 16, 13A



Terminal Type: Pin

Mating Pin Diameter: 1.59 mm [ .063 in ]

Terminal Transmits: 0 – 24 A (Low Power)

Wire Size: 1.5 – 2.5 mm<sup>2</sup>

[All Contacts: Size 16, 13A \(33\)](#)

## Features

### Product Type Features

Receptacle Style	180°
Sealable	No
Primary Locking Feature	Clean Body

### Contact Features

Contact Size	Size 16
Contact Fabrication	Stamped & Formed
Typical Current Rating	13 A
Crimp Type	F-Crimp
Terminal Type	Pin
Mating Pin Diameter	1.59 mm [.063 in]
Interface Plating	Gold (Au)
Contact Termination Area Plating Material	Tin (Sn)

### Termination Features



Termination Method to Wire & Cable	Crimp
Product Terminates To	Wire

### Dimensions

Wire Size	1.5 – 2.5 mm <sup>2</sup>
Wire Size Search	13 AWG, 14 AWG, 15 AWG

### Usage Conditions

Insulation Option	Uninsulated
Operating Temperature (Max)	80 °C, 85 °C, 90 °C, 100 °C, 105 °C, 110 °C, 120 °C [176 °F][185 °F][194 °F][212 °F][221 °F][230 °F][248 °F]
Operating Temperature Range	-40 – 120 °C [-40 – 248 °F]

### Operation/Application

Compatible With Wire Base Material	Copper
------------------------------------	--------

### Packaging Features

Packaging Method	Package
Packaging Quantity	4000

### Other

Terminal Transmits	0 – 24 A (Low Power)
--------------------	----------------------

## Product Compliance

For compliance documentation, visit the product page on [TE.com](https://www.te.com)>

EU RoHS Directive 2011/65/EU	Compliant
EU ELV Directive 2000/53/EC	Compliant
China RoHS 2 Directive MIIT Order No 32, 2016	No Restricted Materials Above Threshold
EU REACH Regulation (EC) No. 1907/2006	Current ECHA Candidate List: JUNE 2022 (224) Candidate List Declared Against: JAN 2022 (223) SVHC > Threshold: Not Yet Reviewed
Halogen Content	Low Halogen - Br, Cl, F, I < 900 ppm per homogenous material. Also BFR/CFR/PVC Free
Solder Process Capability	Not applicable for solder process capability

Product Compliance Disclaimer

This information is provided based on reasonable inquiry of our suppliers and represents our current actual knowledge based on the information they provided. This information is subject to change. The part numbers that TE has identified as EU RoHS compliant have a maximum concentration of 0.1% by weight in homogenous materials for lead, hexavalent chromium, mercury, PBB, PBDE, DBP, BBP, DEHP, DIBP, and 0.01% for cadmium, or qualify for an exemption to these limits as defined in the Annexes of Directive 2011/65/EU (RoHS2). Finished electrical and electronic equipment products will be CE marked as required by Directive 2011/65/EU. Components may not be CE marked. Additionally, the part numbers that TE has identified as EU ELV compliant have a maximum concentration of 0.1% by weight in homogenous materials for lead, hexavalent chromium, and mercury, and 0.01% for cadmium, or qualify for an exemption to these limits as defined in the Annexes of Directive 2000/53/EC (ELV). Regarding the REACH Regulation, the information TE provides on SVHC in articles for this part number is based on the latest European Chemicals Agency (ECHA) 'Guidance on requirements for substances in articles' posted at this URL: <https://echa.europa.eu/guidance-documents/guidance-on-reach>

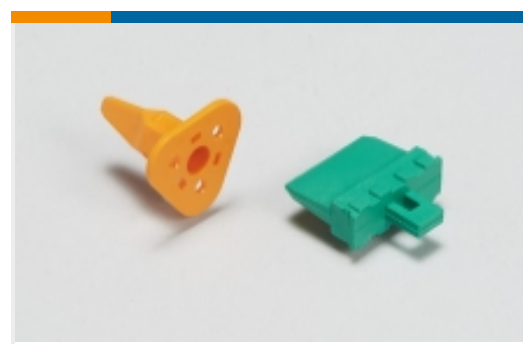
## Compatible Parts



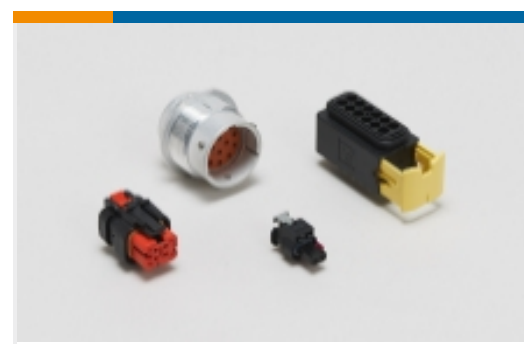
Also in the Series | **AMPSEAL 16**



Automotive Connector Caps & Covers (85)



Automotive Connector Locks & Position Assurance(2)



Automotive Housings(241)



Automotive Seals & Cavity Plugs(4)



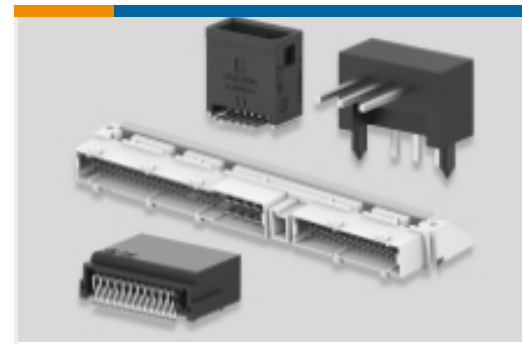
Automotive Terminals(33)



Data Connectivity Housings(3)



Other Automotive Connector Accessories(11)



PCB Headers & Receptacles(3)

## Customers Also Bought



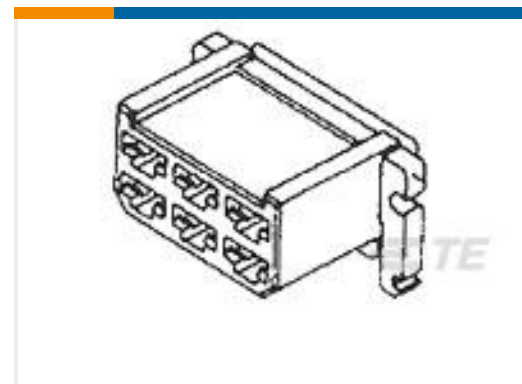
TE Part #DT04-12PB-B016  
DEUTSCH DT Series Housings & Connectors



TE Part #HD34-24-47PE  
REC, 47P, AL, E, 16/20, P



TE Part #4-1703818-1  
4POS,TAB 2.8X0.8,TAB HSG,ASSY,



TE Part #163006  
6 WAY FASTIN-ON HOUSING REC NATURAL



TE Part #0413-214-1205  
SEALING PLUG, SIZE 12, KEYING, YEL



TE Part #2292802-2  
AMPSEAL 16 Connectors Backshell



TE Part #1393450-3  
V23542C1052B102=52P KABELBAUM-

## Documents

### Product Drawings

PIN, SF, SIZE 16, 14-16 AWG, AU/SN

English

### CAD Files

3D PDF

3D

Customer View Model

ENG\_CVM\_CVM\_2098252-1\_A.2d\_dxf.zip



English

Customer View Model

[ENG\\_CVM\\_CVM\\_2098252-1\\_A.3d\\_igs.zip](#)

English

Customer View Model

[ENG\\_CVM\\_CVM\\_2098252-1\\_A.3d\\_stp.zip](#)

English

By downloading the CAD file I accept and agree to the [Terms and Conditions](#) of use.

---

## Datasheets & Catalog Pages

[ICT Terminals and Connectors Catalogue](#)

English

---

## Product Specifications

[Product Specification](#)

English