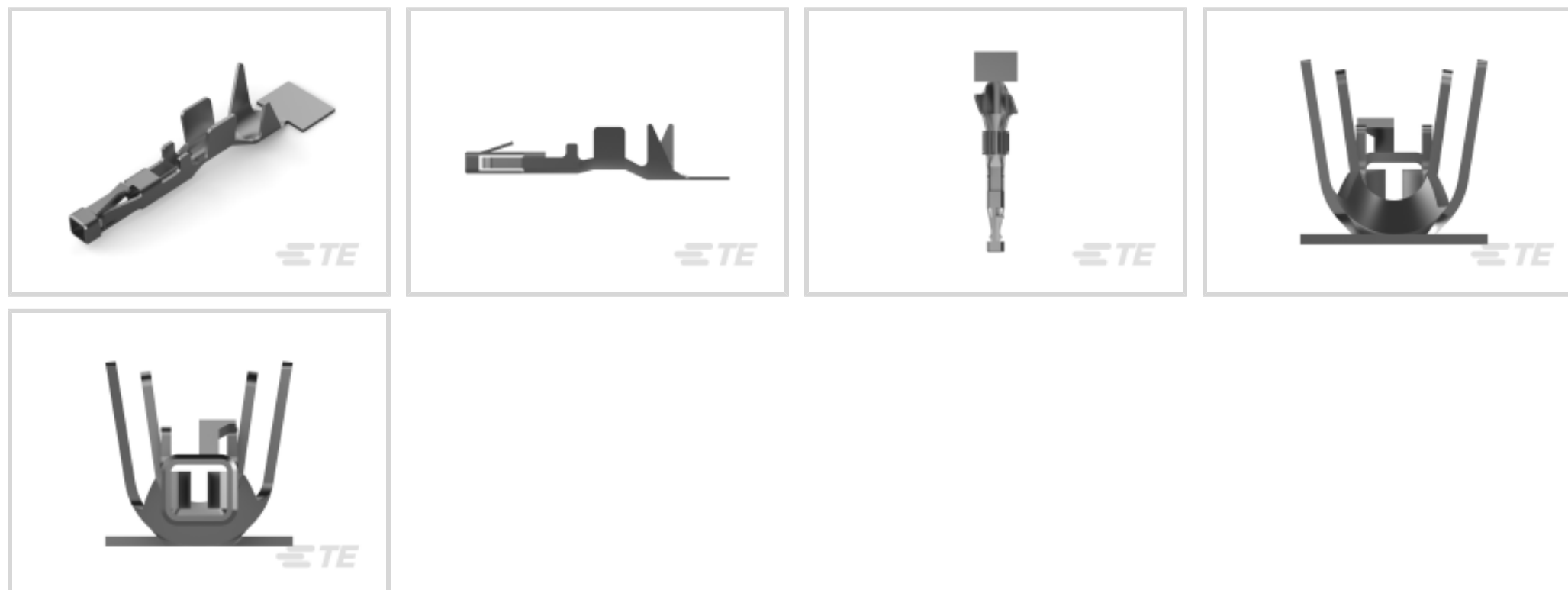




Connectors > Power Connectors > Power Contacts



Power Contact Type: **Contact**

Operating Voltage: **250 VDC**

Contact Mating Area Plating Material: **Tin**

Wire Size: **22 – 18 AWG**

Features

Product Type Features

Power Contact Type	Contact
Connector System	Wire-to-Wire
Sealable	No
Connector & Contact Terminates To	Wire & Cable

Electrical Characteristics

Operating Voltage	250 VDC
-------------------	---------

Contact Features

Contact Mating Area Plating Material	Tin
Contact Current Rating (Max)	5 A
Contact Type	Receptacle
Contact Retention Within Housing	With
Mating Square Post Dimension	.64 mm[.025 in]
Contact Base Material	Phosphor Bronze
Contact Mating Area Plating Material Thickness	1.27 – 2.54 μm[50 – 100 μin]
Contact Mating Area Plating Material Finish	Bright



Wire Contact Termination Area Plating Thickness	1.27 – 2.54 µm[50 – 100 µin]
Wire Contact Termination Area Plating Material	Tin
Wire Contact Termination Area Plating Material Finish	Bright
Contact Orientation	Straight
Barrel Type	Open Barrel

Termination Features

Termination Method to Wire & Cable	Crimp
------------------------------------	-------

Mechanical Attachment

Contact Retention Type Within Housing	Locking Lance
Wire Insulation Support	With

Dimensions

Wire Size	1624 – 6529 CMA
Accepts Wire Insulation Diameter Range	1.5 – 2.79 mm[.059 – .109 in]

Usage Conditions

Operating Temperature Range	-40 – 105 °C[-40 – 221 °F]
-----------------------------	----------------------------

Operation/Application

Circuit Application	Power
---------------------	-------

Industry Standards

VDE Tested	No
------------	----

Packaging Features

Packaging Method	Reel
Packaging Quantity	6000

Other

Wire/Cable Type	Discrete Wire
Wire Type	Stranded

Product Compliance

[For compliance documentation, visit the product page on TE.com>](#)

EU RoHS Directive 2011/65/EU	Compliant
EU ELV Directive 2000/53/EC	Compliant
China RoHS 2 Directive MIIT Order No 32, 2016	No Restricted Materials Above Threshold



EU REACH Regulation (EC) No. 1907/2006

Current ECHA Candidate List: JUNE 2022 (224)

Candidate List Declared Against: JAN 2022 (223)

SVHC > Threshold:
Not Yet Reviewed

Halogen Content

Low Halogen - Br, Cl, F, I < 900 ppm per homogenous material. Also BFR/CFR/PVC Free

Solder Process Capability

Not applicable for solder process capability

Product Compliance Disclaimer

This information is provided based on reasonable inquiry of our suppliers and represents our current actual knowledge based on the information they provided. This information is subject to change. The part numbers that TE has identified as EU RoHS compliant have a maximum concentration of 0.1% by weight in homogenous materials for lead, hexavalent chromium, mercury, PBB, PBDE, DBP, BBP, DEHP, DIBP, and 0.01% for cadmium, or qualify for an exemption to these limits as defined in the Annexes of Directive 2011/65/EU (RoHS2). Finished electrical and electronic equipment products will be CE marked as required by Directive 2011/65/EU. Components may not be CE marked. Additionally, the part numbers that TE has identified as EU ELV compliant have a maximum concentration of 0.1% by weight in homogenous materials for lead, hexavalent chromium, and mercury, and 0.01% for cadmium, or qualify for an exemption to these limits as defined in the Annexes of Directive 2000/53/EC (ELV). Regarding the REACH Regulation, the information TE provides on SVHC in articles for this part number is based on the latest European Chemicals Agency (ECHA) 'Guidance on requirements for substances in articles' posted at this URL: <https://echa.europa.eu/guidance-documents/guidance-on-reach>

Compatible Parts



TE Part # 2-2266495-1
OCEAN-2.0-APPLICATOR-S-062F1100



TE Part # 2-2266495-2
OCEAN-2.0-APPLICATOR-S-062F1100A



TE Part # 2266495-1
OCEAN-2.0-APPLICATOR-S-062F1100



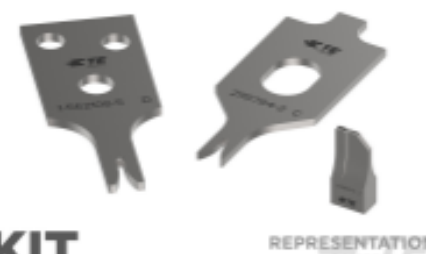
TE Part # 2266495-2
OCEAN-2.0-APPLICATOR-S-062F1100A



TE Part # 7-2266495-1
OCEAN-2.0-APPLICATOR-S-062F1100



TE Part # 7-2266495-2
OCEAN-2.0-APPLICATOR-S-062F1100A

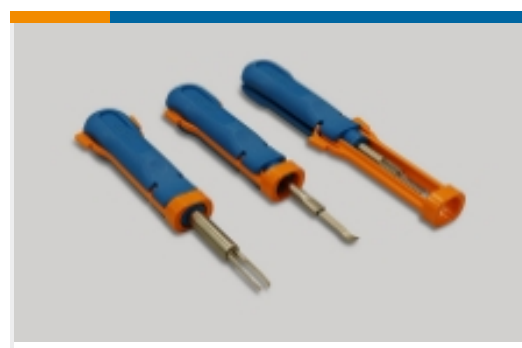


KIT
TE Part # 7-2266495-7
OCEAN_2.0_SPARE_PART_KIT-062F1100

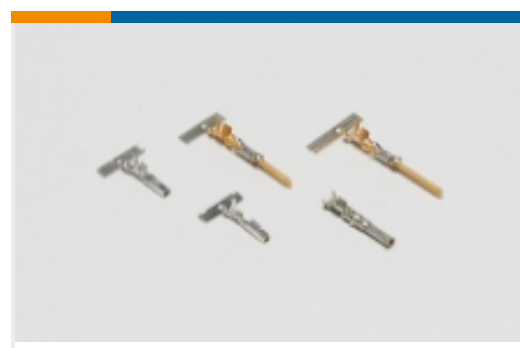


TE Part # 2217299-1
SAHT HAND TOOL

Also in the Series | **Micro MATE-N-LOK**



Insertion & Extraction Tools(1)



Power Contacts(26)



Rectangular Power Connectors(712)

Customers Also Bought



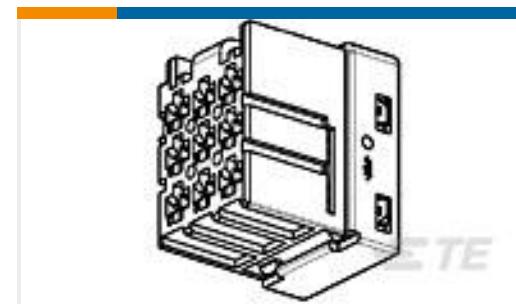
TE Part #2213580-2
LUMAWISE LED HOLDER Z50 STD
PROFILE 1924



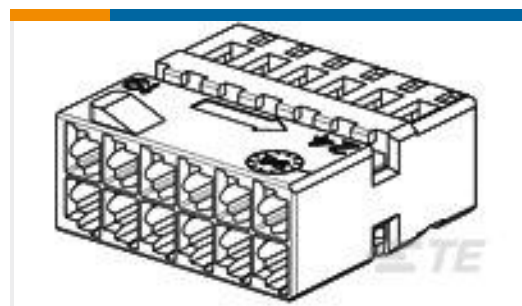
TE Part #61764-1
RING CRIMP 20-16 AWG BR



TE Part #60625-1
RING CRIMP 18-14 AWG TPBR



TE Part #2-968307-2
JPT GEH KOMPL 9P



TE Part #2-968318-1
12POS MQS REC COD B



TE Part #2141031-1
FIXATION,BRAKET FOR BOX,ASSY



TE Part #880398-2
FUSE CONTACT



TE Part #880397-2
FUSE CONTACT

Documents

Product Drawings

Socket Micro MNL, TIN 22-18 AW

English

CAD Files

Customer View Model

[ENG_CVM_CVM_2008625-1_A.2d_dxf.zip](#)

English

3D PDF

3D

Customer View Model

[ENG_CVM_CVM_2008625-1_A.3d_igs.zip](#)

English

Customer View Model

[ENG_CVM_CVM_2008625-1_A.3d_stp.zip](#)

English

By downloading the CAD file I accept and agree to the [Terms and Conditions](#) of use.



Datasheets & Catalog Pages

MICRO MATE-N-LOK CONNECTOR SYSTEM

English

[1773458-4_MICRO_MATE_N_LOK_CONNECTOR_SYSTEM_ORG](#)

English

Product Specifications

Application Specification

English

Product Environmental Compliance

TE Material Declaration

English