

THIS DRAWING IS UNPUBLISHED.

RELEASED FOR PUBLICATION

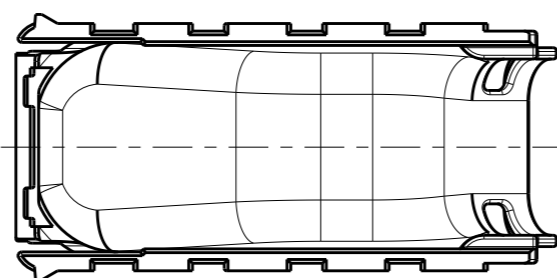
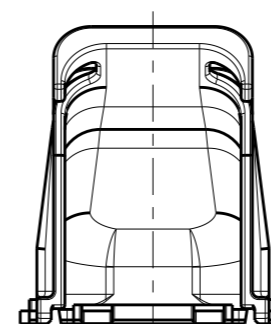
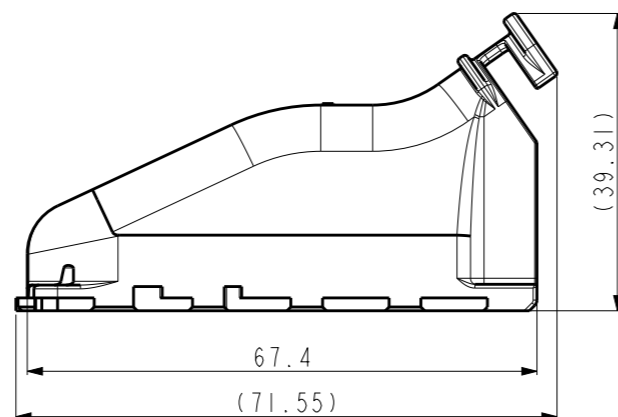
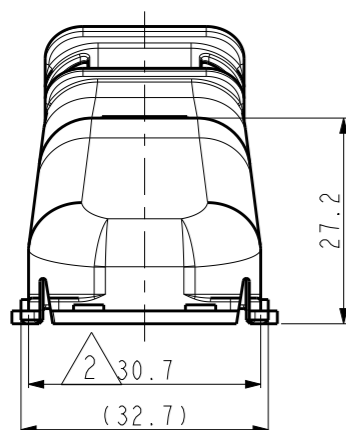
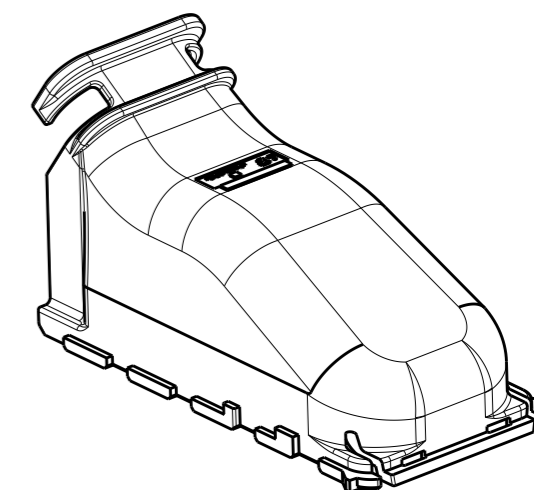
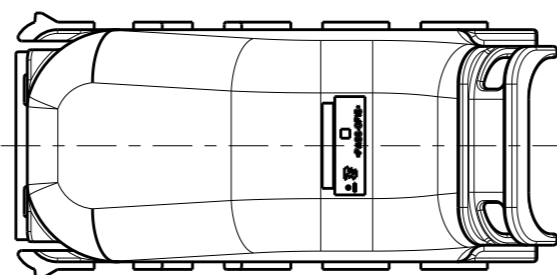
20

© COPYRIGHT 20 BY -

ALL RIGHTS RESERVED.

REVISIONS

P	LTR	DESCRIPTION	DATE	DWN	APVD
	A	RELEASED	08OCT2010	YH	HG
	A1	REVISED(ECR-19-005074)	12.JUL.19	HH	YJ

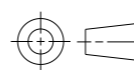


- NOTE
- 1. GENERAL TOLERANCE:  $\pm 0.5$ ,  $\pm 3^\circ$
  - 2. WARPAGE PERMITTED MAX. -3mm
  - 3. MATING CONN'R ASSY P/N: X-2005465-2, X-2005475-2

BLACK	PA66-GF15	2005563-2
COLOR	MATERIAL	P/N

THIS DRAWING IS A CONTROLLED DOCUMENT.

DIMENSIONS:  
mm



3rd ANGLE PROJECTION

MATERIAL  
TBD  
material\_2

TOLERANCES UNLESS OTHERWISE SPECIFIED:

- 0 PLC  $\pm$
- 1 PLC  $\pm$
- 2 PLC  $\pm$
- 3 PLC  $\pm$
- 4 PLC  $\pm$
- ANGLES  $\pm$

SEE NOTE

FINISH  
finish\_spec\_2

DWN	YH MA
CHK	KT LIM
APVD	HG CHO
PRODUCT SPEC	-
APPLICATION SPEC	-
WEIGHT	-
CUSTOMER DRAWING	



COVER HSG TYPE C  
FOR PCU 196P PLUG ASS'Y

SIZE	CAGE CODE	DRAWING NO	RESTRICTED TO
A3	00779	C-2005563	-
SCALE	1:1	SHEET	OF
			REV A1