

[Molex.com](#)

English  
日本語  
한국어  
简体中文

[Register | Login](#)  
[My Parts \( 0 items \)](#)

Search site:Search:  [Go](#)

- Product Name**
- Cross-Ref**
- Catalog**
- Literature**
- Industries**
- Standards**
- Contact Us**
- About Us**
- Investors**
- Careers**

- [Connectors](#)
- [Sockets](#)
- [I/O Connectors](#)
- [Cable Assemblies](#)
- [Fiber Optics](#)
- [Printed Circuit Products](#)
- [Industrial Products](#)
- [Lighting Products](#)

**Switch Language**

- [Home](#)
- [Crimp Terminals](#)
- [Datasheet](#)

**Need Assistance?**

- [Contact Us](#)
- [Find a Distributor](#)
- [Order Samples](#)
- [Tech Library](#)
- [Ecocare](#)
- [Electrical Models](#)

[Printer-friendly page](#)

[Email this page](#)

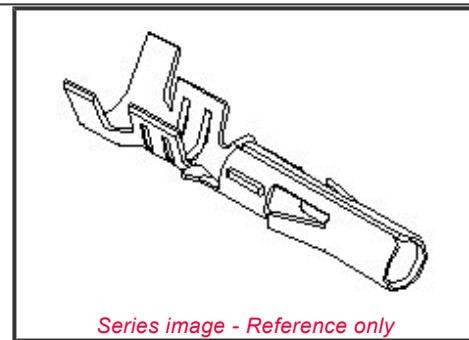
**Part Number:**  
**0002081201**

**Status:**  
**Active**

**Overview:**  
**Disk Drive Power Connector**

**Description:**  
Disk Drive Power Connection System, Female Crimp Terminal, Reel, Phosphor Bronze, AWG 14-20

**Documents:** *Note - Please disable browser pop-up blockers for documents on www.molex.com*  
[Drawing \(PDF\)](#)      [Product Specification PS-8981-4M\\*/4P\\* \(PDF\)](#)



**EU RoHS**  
**ELV and RoHS**  
**Compliant**

**REACH SVHC**  
**Contains SVHC: No**

**Halogen-Free**  
**Status**  
**Halogen-Free**

**China RoHS**



**Need more information on product environmental compliance?**Email [productcompliance@molex.com](mailto:productcompliance@molex.com)For a multiple part number RoHS Certificate of Compliance, [click here](#)Please visit the [Contact Us](#) section for any non-product compliance questions.**Search Parts in this Series**[8980Series](#)**Use With**[8981P](#)**Application Tooling** | [FAQ](#)

Tooling specifications and manuals are found by selecting the products below . Crimp Height Specifications are then contained in the Application Tooling Specification document.

**Global**

Description	Product #
Mini-Mac™ Applicator for Disk Drive Power Connector System, Female 14-20 AWG	<a href="#">0638929000</a>
Extraction Tool	<a href="#">0011030037</a>
Terminator Die	<a href="#">0011402282</a>
Hand Crimp Tool	<a href="#">0638117000</a>

**Japan**

Description	Product #
Applicator for M211A Bench Press, 14-22 AWG, for 8980-3C and 8980-3C1 Crimp Terminal	<a href="#">0571023000</a>

**Crimp Quality Equipment**

Molex also offers wire strippers, pull testers, shut-height gauges, micro-meters and more

[Click here for details](#)

[Datasheet \(PDF\)](#)

[Rc](#)

### Order Products:

### Part Detail: [\(show all\)](#)

#### [General](#)[Physical](#)[Material Info](#)[Reference - Drawing Numbers](#)

#### General

Product Family	Crimp Terminals
Series	<a href="#">8980</a>
Overview	<a href="#">Disk Drive Power Connector</a>
Product Name	Disk Drive Power

#### Physical

Durability (mating cycles max)	50
Gender	Female
Material - Metal	Phosphor Bronze
Material - Plating Mating	Tin
Material - Plating Termination	Tin
Packaging Type	Reel
Plating min: Mating (µin)	35
Plating min: Mating (µm)	0.89
Plating min: Termination (µin)	35
Plating min: Termination (µm)	0.89
Termination Interface: Style	Crimp or Compression
Wire Insulation Diameter	2.03-2.74mm (.080-.108")
Wire Size AWG	14, 16, 18, 20
Wire Size mm <sup>2</sup>	N/A

#### Material Info

Old Part Number	8980-3C
-----------------	---------

**Reference - Drawing Numbers**

Product Specification	PS-8981-4M*/4P*
Sales Drawing	SD-8980-3*

- [Feedback](#)
- [Privacy](#)
- [Legal](#)
- [Site Map](#)
- [Help](#)

• Find us on

•    

Copyright 2005-2010