

2-173985-5 ✓ ACTIVE



AMP-IN

TE Internal #: 2-173985-5

PCB Mount One-Piece IDC Connector, Vertical, Wire-to-Board, 5 Position, .079 in [2 mm] Centerline, Discrete Wire, Through Hole - Press-Fit, Light Blue

[View on TE.com >](#)

Connectors > PCB Connectors > Board-In Connectors



PCB Connector Assembly Type: **PCB Mount One-Piece IDC Connector**

PCB Mount Orientation: **Vertical**

Connector System: **Wire-to-Board**

Number of Positions: **5**

Centerline (Pitch): **2 mm [ .079 in ]**

### Features

#### Product Type Features

PCB Connector Assembly Type	PCB Mount One-Piece IDC Connector
Connector System	Wire-to-Board
Connector & Contact Terminates To	Printed Circuit Board, Wire & Cable

#### Configuration Features

PCB Mount Orientation	Vertical
Number of Positions	5
Compatible With Wire & Cable Type	Discrete Wire
Number of Rows	1

#### Electrical Characteristics

Operating Voltage	125 VAC
-------------------	---------

#### Body Features

Primary Product Color	Light Blue
-----------------------	------------

#### Contact Features

PCB Contact Termination Area Plating Material	Pre-Tin
Contact Base Material	Phosphor Bronze
Contact Current Rating (Max)	2 A

#### Termination Features

Termination Post & Tail Length	3.5 mm[.138 in]
--------------------------------	-----------------



Termination Method to Printed Circuit Board	Through Hole - Press-Fit
---	--------------------------

### Mechanical Attachment

PCB Mount Retention Type	Retention Solder Tails
PCB Mount Alignment	Without
PCB Mount Retention	With

### Housing Features

Centerline (Pitch)	2 mm[.079 in]
Housing Material	PBT GF

### Dimensions

Connector Length	12 mm[.472 in]
Connector Height	5.1 mm[.201 in]
PCB Thickness (Recommended)	.8 mm[.031 – .063 in]

### Usage Conditions

Operating Temperature Range	-40 – 105 °C[-40 – 105 °F]
-----------------------------	----------------------------

### Operation/Application

Circuit Application	Signal
---------------------	--------

### Industry Standards

UL Flammability Rating	UL 94V-0
------------------------	----------

### Packaging Features

Packaging Quantity	240
Packaging Type	Box, Tray

### Product Compliance

[For compliance documentation, visit the product page on TE.com>](#)

EU RoHS Directive 2011/65/EU	Compliant
EU ELV Directive 2000/53/EC	Compliant
China RoHS 2 Directive MIIT Order No 32, 2016	No Restricted Materials Above Threshold
EU REACH Regulation (EC) No. 1907/2006	Current ECHA Candidate List: JUNE 2022 (224) Candidate List Declared Against: JAN 2021 (211) SVHC > Threshold: Not Yet Reviewed

Halogen Content

Not Yet Reviewed for halogen content

Solder Process Capability

Wave solder capable to 260°C

Product Compliance Disclaimer

This information is provided based on reasonable inquiry of our suppliers and represents our current actual knowledge based on the information they provided. This information is subject to change. The part numbers that TE has identified as EU RoHS compliant have a maximum concentration of 0.1% by weight in homogenous materials for lead, hexavalent chromium, mercury, PBB, PBDE, DBP, BBP, DEHP, DIBP, and 0.01% for cadmium, or qualify for an exemption to these limits as defined in the Annexes of Directive 2011/65/EU (RoHS2). Finished electrical and electronic equipment products will be CE marked as required by Directive 2011/65/EU. Components may not be CE marked. Additionally, the part numbers that TE has identified as EU ELV compliant have a maximum concentration of 0.1% by weight in homogenous materials for lead, hexavalent chromium, and mercury, and 0.01% for cadmium, or qualify for an exemption to these limits as defined in the Annexes of Directive 2000/53/EC (ELV). Regarding the REACH Regulation, the information TE provides on SVHC in articles for this part number is based on the latest European Chemicals Agency (ECHA) 'Guidance on requirements for substances in articles' posted at this URL: <https://echa.europa.eu/guidance-documents/guidance-on-reach>

### Compatible Parts



TE Part # 58074-1  
MTA 50/100/156 MANUAL TOOL FRAME



TE Part # 58372-1  
HEAD (IDC) 2MM C.T. W/O TL



TE Part # 2-173977-5  
CT CONN MT REC ASSY 5P BLUE



TE Part # 911790-1  
WEZAG PISTOL GRIP TOOL

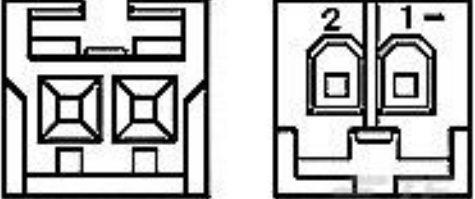
### Customers Also Bought



TE Part #175652-2  
040 MLC CAP HSG 20P W-W



TE Part #176498-1  
POSITIVE LOCK 187 (4.8 MM) HOUSING



TE Part #172486-2  
2P REC HSG CRIMP EI SER



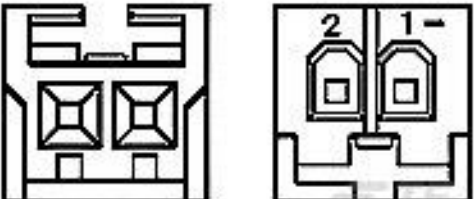
TE Part #2-179555-6  
DYNAMIC D-3200 WTW TAB HSG 12P



TE Part #5-456406-6  
CRIMPER, WIRE .090 "F"



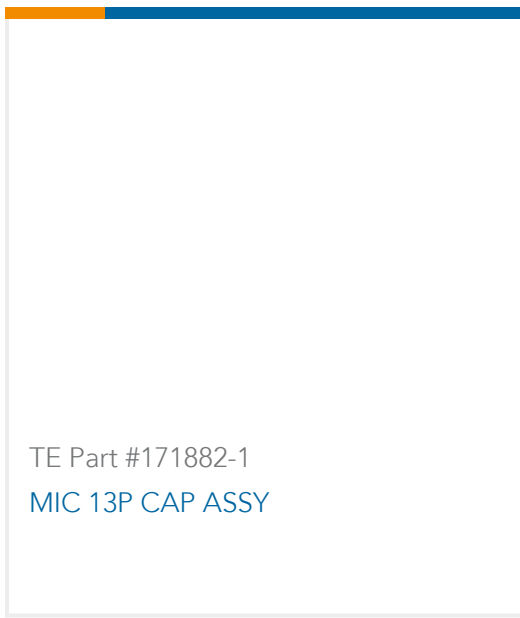
TE Part #4-1333205-8  
ANVIL, COMBINATION .090



TE Part #172486-3  
3P REC HSG CRIMP EI SER



TE Part #6-456134-5  
CRIMPER, INSULATION "F" (.110)



## Documents

### CAD Files

#### 3D PDF

English

#### Customer View Model

[ENG\\_CVM\\_2-173985-5\\_F.2d\\_dxf.zip](#)

English

#### Customer View Model

[ENG\\_CVM\\_2-173985-5\\_F.3d\\_igs.zip](#)

English

#### Customer View Model

[ENG\\_CVM\\_2-173985-5\\_F.3d\\_stp.zip](#)

English

By downloading the CAD file I accept and agree to the [Terms and Conditions](#) of use.

### Product Specifications

#### Application Specification

English

### Instruction Sheets

#### MINI PRESS CT CONNECTOR (WAS IS-553J)

Japanese

#### Instruction Sheet (non U.S.)

Japanese