

1986692-4 ✓ ACTIVE

Buchanan

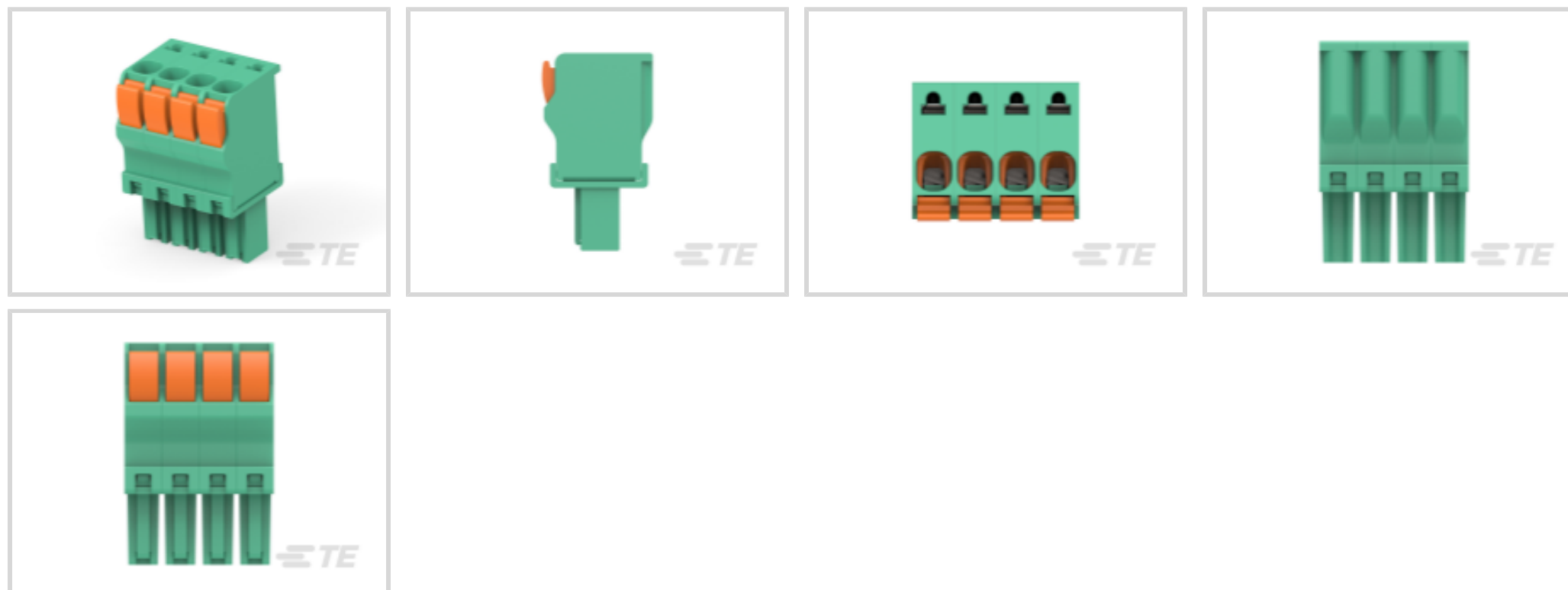
TE Internal #: 1986692-4

PCB Terminal Blocks, Plug, Wire-to-Board, 4 Position, .138 in [3.5 mm] Centerline, 1 Row, Top Wire Entry Angle, 30 – 14 AWG Wire Size

[View on TE.com >](#)



Connectors > Terminal Blocks & Strips > PCB Terminal Blocks



Terminal Block Connector Type: **Plug**

Connector System: **Wire-to-Board**

Number of Positions: **4**

Centerline (Pitch): **3.5 mm [.138 in]**

Number of Rows: **1**

Features

Product Type Features

Wire Protection	With
Block Type	Spring Terminal Block
Terminal Block Connector Type	Plug
Connector System	Wire-to-Board
Connector & Contact Terminates To	Wire & Cable

Configuration Features

Threaded Flange	Without
Stacking Configuration	Side Stackable
Number of Positions	4
Number of Rows	1
Wire Entry Angle	Top

Electrical Characteristics

Current Rating (Max)	9 A, 11 A
Voltage Rating	300 VAC



Body Features

Interlock	Without
Lever Color	Orange

Contact Features

Contact Mating Area Plating Material	Tin over Copper Alloy
Contact Mating Area Plating Thickness	1 – 3 μm
Contact Base Material	Copper Alloy
Contact Current Rating (Max)	11 A

Mechanical Attachment

Mating Angle	90° (Bottom)/ 270° (Top)
Screwless Terminal Block	Yes
Mounting Angle	Vertical
Screw Flange	Without

Housing Features

Housing Color	Green
Housing Material	PA 66
Centerline (Pitch)	3.5 mm [.138 in]

Dimensions

Wire Size	.05 – 2 mm ²
-----------	-------------------------

Usage Conditions

Operating Temperature Range	-40 – 65 °C [-40 – 149 °F]
-----------------------------	----------------------------

Operation/Application

Circuit Application	Power & Signal
---------------------	----------------

Packaging Features

Packaging Method	Box
Packaging Quantity	150

Product Compliance

For compliance documentation, visit the product page on [TE.com](https://www.te.com)>

EU RoHS Directive 2011/65/EU	Compliant
EU ELV Directive 2000/53/EC	Compliant



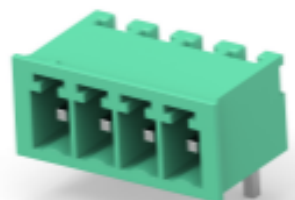



China RoHS 2 Directive MIIT Order No 32, 2016	No Restricted Materials Above Threshold
EU REACH Regulation (EC) No. 1907/2006	Current ECHA Candidate List: JUNE 2022 (224) Candidate List Declared Against: JAN 2022 (223) SVHC > Threshold: Not Yet Reviewed
Halogen Content	Low Halogen - Br, Cl, F, I < 900 ppm per homogenous material. Also BFR/CFR/PVC Free
Solder Process Capability	Wave solder capable to 265°C

Product Compliance Disclaimer

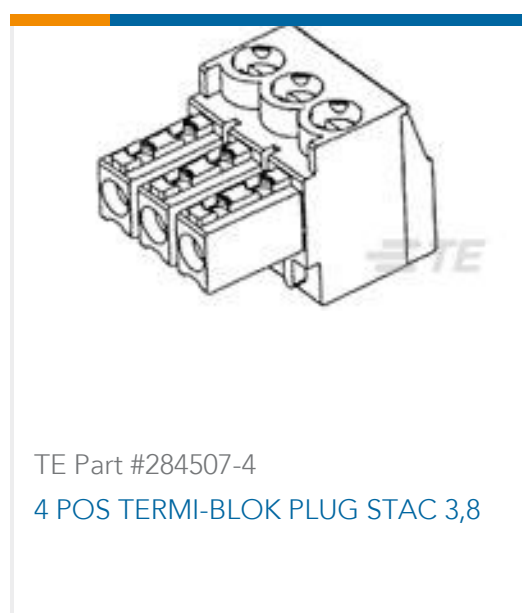
This information is provided based on reasonable inquiry of our suppliers and represents our current actual knowledge based on the information they provided. This information is subject to change. The part numbers that TE has identified as EU RoHS compliant have a maximum concentration of 0.1% by weight in homogenous materials for lead, hexavalent chromium, mercury, PBB, PBDE, DBP, BBP, DEHP, DIBP, and 0.01% for cadmium, or qualify for an exemption to these limits as defined in the Annexes of Directive 2011/65/EU (RoHS2). Finished electrical and electronic equipment products will be CE marked as required by Directive 2011/65/EU. Components may not be CE marked. Additionally, the part numbers that TE has identified as EU ELV compliant have a maximum concentration of 0.1% by weight in homogenous materials for lead, hexavalent chromium, and mercury, and 0.01% for cadmium, or qualify for an exemption to these limits as defined in the Annexes of Directive 2000/53/EC (ELV). Regarding the REACH Regulation, the information TE provides on SVHC in articles for this part number is based on the latest European Chemicals Agency (ECHA) 'Guidance on requirements for substances in articles' posted at this URL: <https://echa.europa.eu/guidance-documents/guidance-on-reach>

Compatible Parts

 <p>TE Part # 1986720-4 STR PLUG SPRING TYPE RH 4P, 3.81 mm</p>	 <p>TE Part # 2342076-4 4POS HDR 90 DEG,HT,3.5MM PITCH, TL 1.9MM</p>	 <p>TE Part # 284512-4 4 POS TERMI-BLOK HDR 900 POLAR</p>	 <p>TE Part # 2342071-4 4POS HDR ST,HT, 3.5MM PITCH, TL 1.9MM</p>
--	---	--	--

Customers Also Bought

 <p>TE Part #487526-3 004 HOUSING FFC RCPT 100CL SR</p>	 <p>TE Part #1-487117-0 RCPT CONTACT,HIGH PRESS,FFC</p>	 <p>TE Part #2-966067-7 WIRE END FERRULE</p>	 <p>TE Part #1-406541-1 MJ,INV,1X1,6PNL G.,100"ST,SN</p>
--	--	---	---



Documents

Product Drawings

[STR PLUG SPRING TYPE RH 4P, 3.50mm](#)

English

CAD Files

Customer View Model

[ENG_CVM_CVM_1986692-4_A.2d_dxf.zip](#)

English

[3D PDF](#)

3D

Customer View Model

[ENG_CVM_CVM_1986692-4_A.3d_igs.zip](#)

English

Customer View Model

[ENG_CVM_CVM_1986692-4_A.3d_stp.zip](#)

English

By downloading the CAD file I accept and agree to the [Terms and Conditions](#) of use.

Datasheets & Catalog Pages

[2-1773464-1_Spring_Type_Straight_Plugs](#)

English