



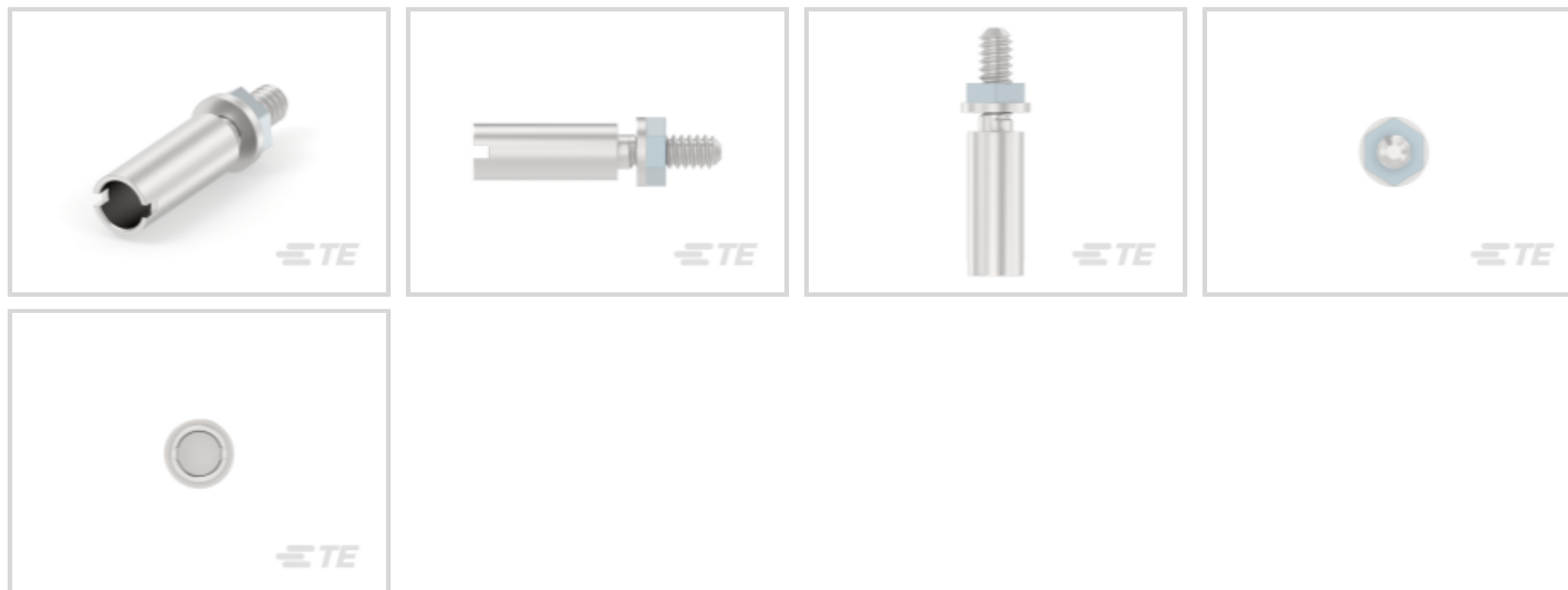
AMP

TE Internal #: 200390-9

Rectangular Connector Hardware, Guide Socket Kit, Wire-to-Wire, 6 / 12 / 14 Position, Wire & Cable, Power & Signal, Cable Mount (Free-Hanging)

[View on TE.com >](#)

Connectors > Rectangular Connectors > Rectangular Connector Accessories > Rectangular Connector Hardware



Hardware Type: **Guide Socket Kit**

Guide Pin/Socket Type: **Center**

Connector System: **Wire-to-Wire**

Number of Positions: **6, 12, 14, 15, 16, 20, 26, 28, 34, 41, 42, 50, 75, 104**

Sealable: **No**

Features

Product Type Features

Strain Relief	Without
Product Type	Hardware
Connector System	Wire-to-Wire
Sealable	No
Connector & Contact Terminates To	Wire & Cable

Configuration Features

Number of Positions	6, 12, 14, 15, 16, 20, 26, 28, 34, 41, 42, 50, 75, 104
---------------------	--

Body Features

Material	Stainless Steel
Guide Pin/Socket Type	Center

Mechanical Attachment

Mounting Hardware	Nuts and Lockwashers
Screw & Hole Thread Size	4-40



Hardware Type	Guide Socket Kit
---------------	------------------

Connector Mounting Type	Cable Mount (Free-Hanging)
-------------------------	----------------------------

Dimensions

Width	5.72 mm[.225 in]
-------	------------------

Height	5.72 mm[.225 in]
--------	------------------

Length	19.81 mm[.78 in]
--------	------------------

Usage Conditions

Operating Temperature Range	-55 – 150 °C[-67 – 302 °F]
-----------------------------	----------------------------

Operation/Application

For Use With	12 Position High Current Connectors, 15,16, and 42-Position Mixed Connectors, 20 and 28-Position High Voltage Connectors, 6, 14, 20, 26, 34, 41, 50, 75 and 104 Position Posted Connectors, 6, 14, 20, 26, 34, 41, 50, 75 and 104 Position Standard Connectors
--------------	--

Circuit Application	Power & Signal
---------------------	----------------

Packaging Features

Packaging Quantity	100
--------------------	-----

Packaging Method	Bag
------------------	-----

Product Compliance

[For compliance documentation, visit the product page on TE.com>](#)

EU RoHS Directive 2011/65/EU	Compliant
------------------------------	-----------

EU ELV Directive 2000/53/EC	Compliant
-----------------------------	-----------

China RoHS 2 Directive MIIT Order No 32, 2016	No Restricted Materials Above Threshold
---	---

EU REACH Regulation (EC) No. 1907/2006	Current ECHA Candidate List: JUNE 2022 (224) Candidate List Declared Against: JAN 2022 (223) SVHC > Threshold: Not Yet Reviewed
--	--

Halogen Content	BFR/CFR/PVC Free, but Br/Cl >900 ppm in other sources.
-----------------	--

Solder Process Capability	Not applicable for solder process capability
---------------------------	--

Product Compliance Disclaimer

This information is provided based on reasonable inquiry of our suppliers and represents our current actual knowledge based on the information they provided. This information is subject to change. The part numbers that TE has identified as

EU RoHS compliant have a maximum concentration of 0.1% by weight in homogenous materials for lead, hexavalent chromium, mercury, PBB, PBDE, DBP, BBP, DEHP, DIBP, and 0.01% for cadmium, or qualify for an exemption to these limits as defined in the Annexes of Directive 2011/65/EU (RoHS2). Finished electrical and electronic equipment products will be CE marked as required by Directive 2011/65/EU. Components may not be CE marked. Additionally, the part numbers that TE has identified as EU ELV compliant have a maximum concentration of 0.1% by weight in homogenous materials for lead, hexavalent chromium, and mercury, and 0.01% for cadmium, or qualify for an exemption to these limits as defined in the Annexes of Directive 2000/53/EC (ELV). Regarding the REACH Regulation, the information TE provides on SVHC in articles for this part number is based on the latest European Chemicals Agency (ECHA) 'Guidance on requirements for substances in articles' posted at this URL: <https://echa.europa.eu/guidance-documents/guidance-on-reach>

Compatible Parts



Customers Also Bought





Documents

Product Drawings

SERIES "M" GUIDE SOCKET

English

CAD Files

Customer View Model

[ENG_CVM_CVM_200390-9_Y.2d_dxf.zip](#)

English

3D PDF

3D

Customer View Model

[ENG_CVM_CVM_200390-9_Y.3d_igs.zip](#)

English

Customer View Model

[ENG_CVM_CVM_200390-9_Y.3d_stp.zip](#)

English

By downloading the CAD file I accept and agree to the [Terms and Conditions](#) of use.

Datasheets & Catalog Pages

M_SERIES_PIN_AND_SOCKET_CONNECTORS

English

Product Environmental Compliance

[MD_200390-9_04212016254_dmtec](#)

English

[MD_200390-9_04212016254_dmtec](#)

English

Instruction Sheets

Instruction Sheet (U.S.)

English