



GRACE INERTIA 3.3

TE Internal #: 1983780-1

Power Contacts, Contact, 250 VAC, 250 VDC, Tin, 24 – 20 AWG  
 Wire Size, .204 – .517 mm<sup>2</sup> Wire Size, 404 – 1022 CMA Wire Size,  
 GRACE INERTIA 3.3

[View on TE.com >](#)

Connectors > Power Connectors > Power Contacts



Power Contact Type: **Contact**  
 Operating Voltage: **250 VDC**  
 Contact Mating Area Plating Material: **Tin**  
 Wire Size: **24 – 20 AWG**

**Features**

**Product Type Features**

Power Contact Type	Contact
Connector System	Wire-to-Wire
Sealable	No
Connector & Contact Terminates To	Wire & Cable

**Electrical Characteristics**

Operating Voltage	250 VDC
Insulation Resistance	1000

**Contact Features**

Contact Mating Area Plating Material	Tin
Contact Current Rating (Max)	4 A
Contact Type	Receptacle
Contact Retention Within Housing	With
Contact Base Material	Copper Alloy
Wire Contact Termination Area Plating Material	Tin
Contact Orientation	Straight



Barrel Type	Open Barrel
-------------	-------------

### Termination Features

Termination Method to Wire & Cable	Crimp
------------------------------------	-------

### Mechanical Attachment

Contact Retention Type Within Housing	Locking Lance
---------------------------------------	---------------

Wire Insulation Support	With
-------------------------	------

### Dimensions

Wire Size	404 – 1022 CMA
-----------	----------------

Accepts Wire Insulation Diameter Range	1.5 – 2.5 mm [.059 – .098 in]
--	-------------------------------

### Usage Conditions

Operating Temperature Range	-30 – 105 °C [-22 – 221 °F]
-----------------------------	-----------------------------

### Operation/Application

Circuit Application	Power
---------------------	-------

### Industry Standards

Glow Wire Rating	Standard Part - Not Glow Wire
------------------	-------------------------------

### Packaging Features

Packaging Method	Reel
------------------	------

Packaging Quantity	5000
--------------------	------

### Other

Wire/Cable Type	Discrete Wire
-----------------	---------------

Wire Type	Stranded
-----------	----------

For Use With	Plug Housing
--------------	--------------

### Product Compliance

[For compliance documentation, visit the product page on TE.com>](#)

EU RoHS Directive 2011/65/EU	Compliant
------------------------------	-----------

EU ELV Directive 2000/53/EC	Compliant
-----------------------------	-----------

China RoHS 2 Directive MIIT Order No 32, 2016	No Restricted Materials Above Threshold
---	---

EU REACH Regulation (EC) No. 1907/2006	Current ECHA Candidate List: JUNE 2022 (224) Candidate List Declared Against: JAN 2022 (223) SVHC > Threshold:
--	--



Not Yet Reviewed

Halogen Content

Low Halogen - Br, Cl, F, I < 900 ppm per homogenous material. Also BFR/CFR/PVC Free

Solder Process Capability

Not reviewed for solder process capability

Product Compliance Disclaimer

This information is provided based on reasonable inquiry of our suppliers and represents our current actual knowledge based on the information they provided. This information is subject to change. The part numbers that TE has identified as EU RoHS compliant have a maximum concentration of 0.1% by weight in homogenous materials for lead, hexavalent chromium, mercury, PBB, PBDE, DBP, BBP, DEHP, DIBP, and 0.01% for cadmium, or qualify for an exemption to these limits as defined in the Annexes of Directive 2011/65/EU (RoHS2). Finished electrical and electronic equipment products will be CE marked as required by Directive 2011/65/EU. Components may not be CE marked. Additionally, the part numbers that TE has identified as EU ELV compliant have a maximum concentration of 0.1% by weight in homogenous materials for lead, hexavalent chromium, and mercury, and 0.01% for cadmium, or qualify for an exemption to these limits as defined in the Annexes of Directive 2000/53/EC (ELV). Regarding the REACH Regulation, the information TE provides on SVHC in articles for this part number is based on the latest European Chemicals Agency (ECHA) 'Guidance on requirements for substances in articles' posted at this URL: <https://echa.europa.eu/guidance-documents/guidance-on-reach>

### Compatible Parts



TE Part # 1827395-2  
GIC 3.3 REC CONTACT TIN PLATE



TE Part # 2-2151949-1  
OCEAN-2.0-APPLICATOR-S-050F102F



TE Part # 2-2151949-2  
OCEAN-2.0-APPLICATOR-S-050F102FA



TE Part # 2151949-1  
OCEAN-2.0-APPLICATOR-S-050F102F



TE Part # 2151949-2  
OCEAN-2.0-APPLICATOR-S-050F102FA



TE Part # 7-2151949-1  
OCEAN-2.0-APPLICATOR-S-050F102F

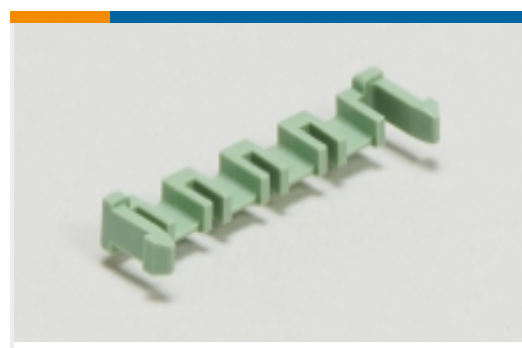


TE Part # 7-2151949-2  
OCEAN-2.0-APPLICATOR-S-050F102FA

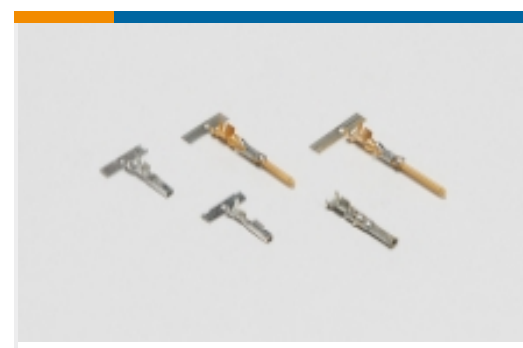


**KIT**  
TE Part # 7-2151949-7  
OCEAN\_2.0\_SPARE\_PART\_KIT-050F102F

Also in the Series | **GRACE INERTIA 3.3**



PCB Latches, Locks &amp; Retainers(7)



Power Contacts(3)



Rectangular Connector Locking(8)



Rectangular Power Connectors(69)

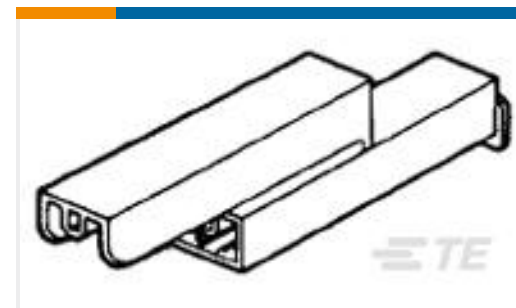
## Customers Also Bought



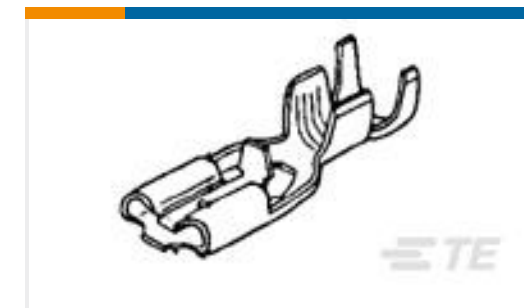
TE Part #4-1971905-3  
PLUG HOUSING 6POS,KEYING-D,  
NEW GIC3.3



TE Part #62814-2  
250 FASTON FLAG REC 22-18 AWG  
TPBR



TE Part #1-174712-1  
187 HSG. PL MKII REC. 6.65mm 2P  
NAT



TE Part #170325-5  
187 PL MKII REC. 20-16AWG PTBR



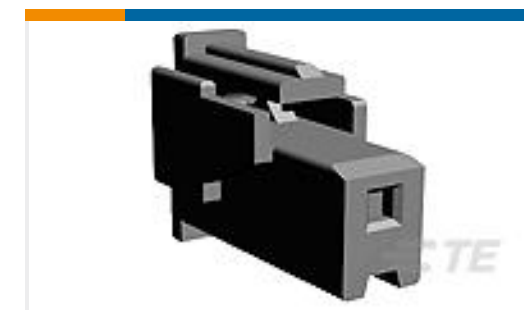
TE Part #63663-1  
MAG-MATE 22-20 187 FTAB TPBR



TE Part #5-177907-1  
POWER DBL LOCK CAP P/M 3P(GWT)



TE Part #4-640427-1  
11P MTA156 CONN ASSY 20AWG YEL



TE Part #5-1123823-1  
EP 1P PLUG BLACK



TE Part #590760-000  
ES-CAP-HW-NO.3-0-45MM-ST



TE Part #4-1971904-6  
TPA 12 POS,NEW GIC3.3

## Documents

### Product Drawings

NG GIC 3.3 REC CONTACT TIN PLATE

English

### CAD Files

3D PDF

3D

Customer View Model

ENG\_CVM\_CVM\_1983780-1\_B\_c-1983780-1-b.2d\_dxf.zip



English

**Customer View Model**

[ENG\\_CVM\\_CVM\\_1983780-1\\_B\\_c-1983780-1-b.3d\\_igs.zip](#)

English

**Customer View Model**

[ENG\\_CVM\\_CVM\\_1983780-1\\_B\\_c-1983780-1-b.3d\\_stp.zip](#)

English

By downloading the CAD file I accept and agree to the [Terms and Conditions](#) of use.

---

**Datasheets & Catalog Pages**

[5-1773465-4-GI3.3Flyer](#)

English

[7-1773465-7-GI3.3-ChineseFlyer](#)

[GI3.3\\_QRG\\_CN](#)

---

**Product Specifications**

[Application Specification](#)

English

---

**Product Environmental Compliance**

[MD\\_1983780-1\\_12022013433\\_dmtec](#)

English

[MD\\_1983780-1\\_12022013433\\_dmtec](#)

English