



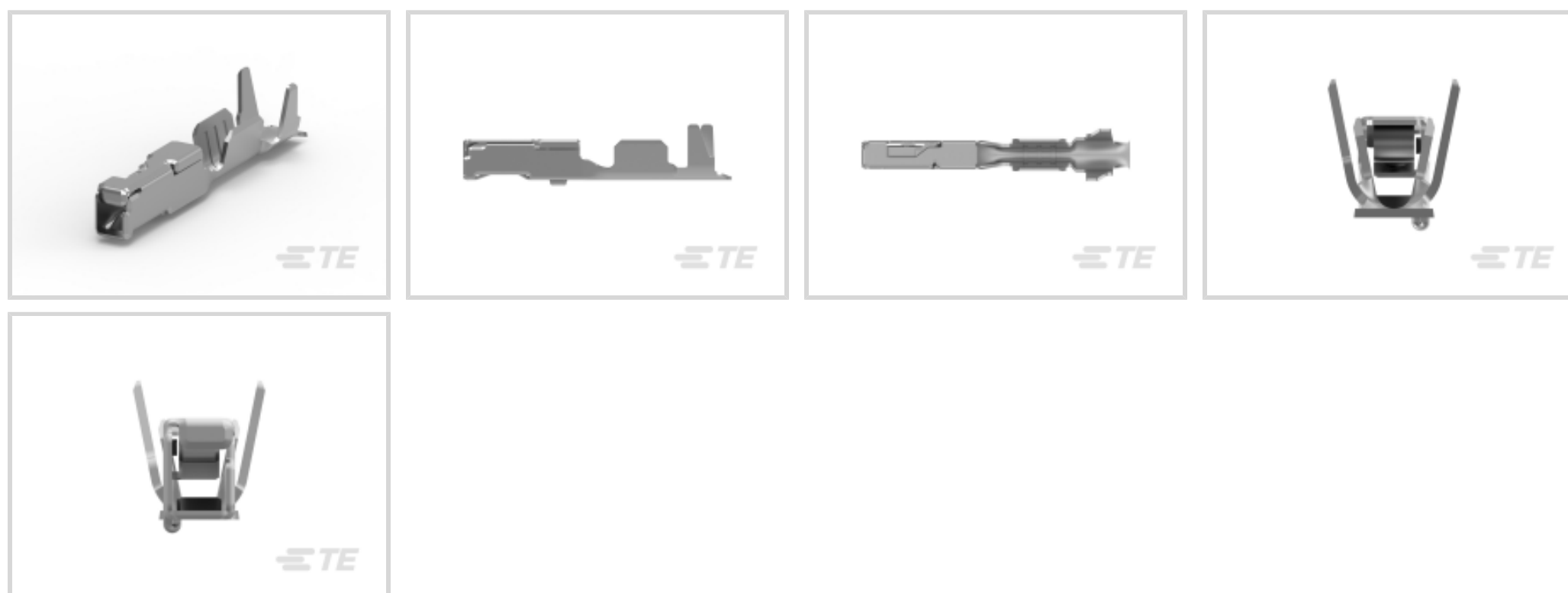
**Generation Y Connector System**

TE Internal #: 2098762-2

Automotive Terminals, Receptacle, Mating Tab Width .64 mm [.025 in], Tab Thickness .025 in [.64 mm], 18 AWG Wire Size, Generation Y Connector System

[View on TE.com >](#)

Terminals & Splices > Automotive Terminals > Generation Y Terminals, 68POS Hybrid



Terminal Type: **Receptacle**

Mating Tab Width: **.64 mm [.025 in]**

Mating Tab Thickness: **.64 mm [.025 in]**

Terminal Transmits: **0 – 24 A (Low Power)**

Wire Size: **18 AWG**

[All Generation Y Terminals, 68POS Hybrid \(10\)](#)

**Features**

**Product Type Features**

Receptacle Style	180°
Sealable	Yes
Primary Locking Feature	Clean Body

**Body Features**

Terminal Seal Type	Family Seal
--------------------	-------------

**Contact Features**

Contact Size	.64mm
Contact Fabrication	Stamped & Formed
Typical Current Rating	10 A
Crimp Type	F-Crimp
Terminal Type	Receptacle
Mating Tab Width	.64 mm [.025 in]



Mating Tab Thickness	.64 mm [.025 in]
Interface Plating	Tin (Sn)
Contact Termination Area Plating Material	Tin (Sn)

### Termination Features

Termination Method to Wire & Cable	Crimp
Product Terminates To	Wire

### Dimensions

Wire Size	.82 mm <sup>2</sup>
Wire Size Search	18 AWG
Wire Insulation Diameter	1.6 – 2.06 mm [.063 – .081 in]

### Usage Conditions

Insulation Option	Uninsulated
Operating Temperature (Max)	80 °C, 85 °C, 90 °C, 100 °C, 105 °C, 110 °C, 120 °C, 125 °C [176 °F][185 °F][194 °F][212 °F][221 °F][230 °F][248 °F][257 °F]
Operating Temperature Range	-40 – 125 °C [-40 – 257 °F]

### Operation/Application

Compatible With Wire Base Material	Copper
------------------------------------	--------

### Industry Standards

Agency/Standard	SAE/USCAR-2 / USCAR-21
-----------------	------------------------

### Packaging Features

Packaging Method	Package
Packaging Quantity	7500

### Other

Customer Preferred Contact	Yes
Terminal Transmits	0 – 24 A (Low Power)

### Product Compliance

[For compliance documentation, visit the product page on TE.com>](#)

EU RoHS Directive 2011/65/EU	Compliant
EU ELV Directive 2000/53/EC	Compliant
China RoHS 2 Directive MIIT Order No 32, 2016	No Restricted Materials Above Threshold
EU REACH Regulation (EC) No. 1907/2006	



Current ECHA Candidate List: JUNE 2022  
(224)  
Candidate List Declared Against: JUL 2021  
(219)  
SVHC > Threshold:  
Not Yet Reviewed

Halogen Content  
Low Halogen - Br, Cl, F, I < 900 ppm per homogenous material. Also BFR/CFR/PVC Free

Solder Process Capability  
Not applicable for solder process capability

**Product Compliance Disclaimer**

This information is provided based on reasonable inquiry of our suppliers and represents our current actual knowledge based on the information they provided. This information is subject to change. The part numbers that TE has identified as EU RoHS compliant have a maximum concentration of 0.1% by weight in homogenous materials for lead, hexavalent chromium, mercury, PBB, PBDE, DBP, BBP, DEHP, DIBP, and 0.01% for cadmium, or qualify for an exemption to these limits as defined in the Annexes of Directive 2011/65/EU (RoHS2). Finished electrical and electronic equipment products will be CE marked as required by Directive 2011/65/EU. Components may not be CE marked. Additionally, the part numbers that TE has identified as EU ELV compliant have a maximum concentration of 0.1% by weight in homogenous materials for lead, hexavalent chromium, and mercury, and 0.01% for cadmium, or qualify for an exemption to these limits as defined in the Annexes of Directive 2000/53/EC (ELV). Regarding the REACH Regulation, the information TE provides on SVHC in articles for this part number is based on the latest European Chemicals Agency (ECHA) 'Guidance on requirements for substances in articles' posted at this URL: <https://echa.europa.eu/guidance-documents/guidance-on-reach>

## Compatible Parts



TE Part # 2305570-1  
TERMINAL CUTTER, SIDE FEED



TE Part # CAT-N58-ATHA68  
68POS, HYBRID, REC and TAB HSG ASSY



TE Part # 2098067-2  
Plug Assembly, Hybrid, BCM, IP2, B Key



TE Part # 2098067-1  
Plug Assembly, Hybrid, BCM, IP1, A Key



TE Part # 2098067-7  
Plug Assembly, Hybrid, BCM, CL, G Key



TE Part # 2098067-5  
Plug Assembly, Hybrid, BCM, B1, E Key



TE Part # 2098067-4  
Plug Assembly, Hybrid, BCM, U2, D Key



TE Part # 2098067-6  
Plug Assembly, Hybrid, BCM, B2, F Key






TE Part # 1924212-1  
ASSY, CAP, 2X3, SEALED, 0.64, OPEN



TE Part # 2098067-3  
Plug Assembly, Hybrid, BCM, U1, C Key



TE Part # 2063291-1  
PRO-C HT & DIE GEN Y



TE Part # 2-2151830-1  
OCEAN\_2.0\_APPLICATOR-S-062F062O



TE Part # 2-2151830-2  
OCEAN\_2.0\_APPLICATOR-S-062F062O



TE Part # 2098904-1  
20P Generation Y Plug, Single-



TE Part # 2098904-2  
20P Generation Y Plug, Single-



TE Part # 2098904-3  
20P Generation Y Plug, Single-



TE Part # 2098904-4  
20P Generation Y Plug, Single-



TE Part # 2098904-5  
20P Generation Y Plug, Single-



TE Part # 2098904-6  
20P Generation Y Plug, Single-




TE Part # 2151830-1  
OCEAN\_2.0\_APPLICATOR-S-062F062O

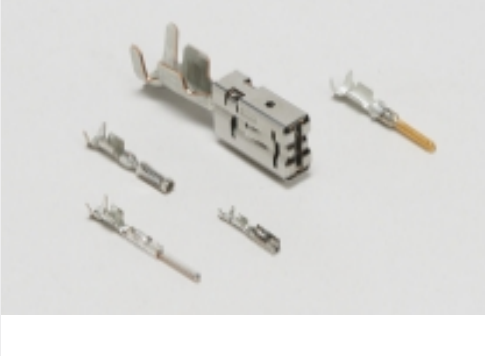
Also in the Series | **Generation Y Connector System**




Automotive Connector Caps & Covers (16)



Automotive Housings(153)



Automotive Terminals(39)

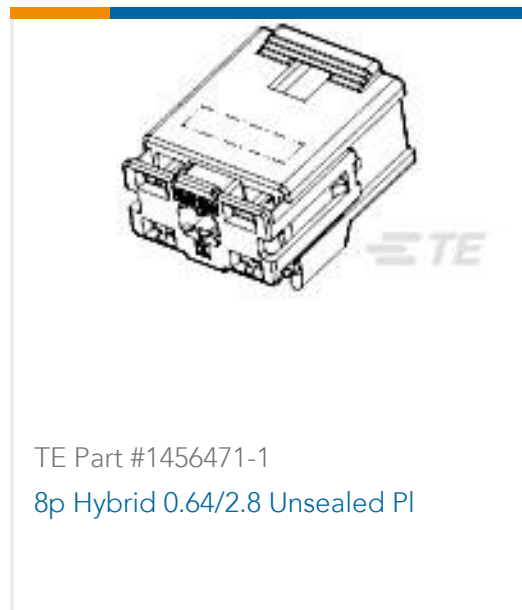


Insertion & Extraction Tools(1)



PCB Headers & Receptacles(15)

Customers Also Bought



TE Part #1456471-1  
8p Hybrid 0.64/2.8 Unsealed PI



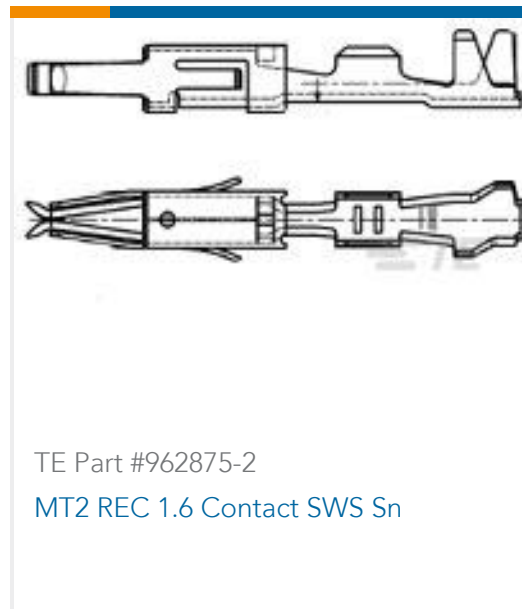
TE Part #1924955-1  
CONTACT, FEMALE 0.64, 20-22AWG,  
UNSEAL



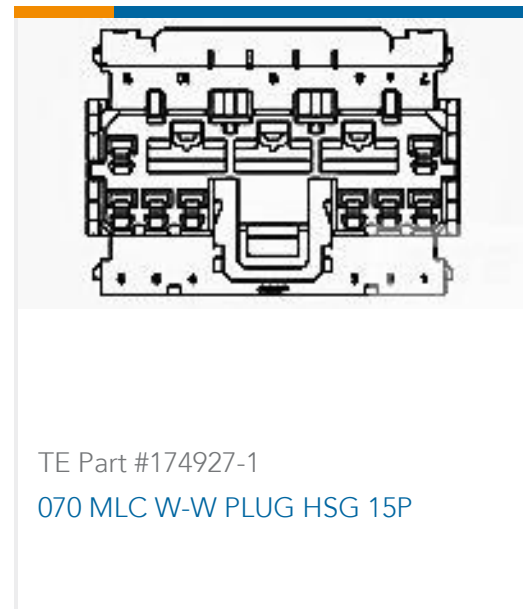
TE Part #1473284-1  
MICRO TIMER II 6POS PLUG ASSY



TE Part #2-929170-4  
MQS, CONNECTOR HOUSING



TE Part #962875-2  
MT2 REC 1.6 Contact SWS Sn



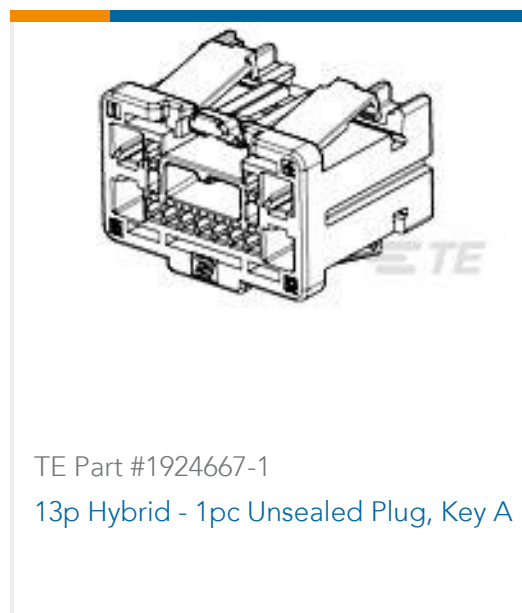
TE Part #174927-1  
070 MLC W-W PLUG HSG 15P



TE Part #1473288-1  
MICRO TIMER II 6POS SECONDARY



TE Part #1924880-1  
GET, FEMALE TERMINAL, AGSN, 16



TE Part #1924667-1  
13p Hybrid - 1pc Unsealed Plug, Key A

## Documents

### Product Drawings

Contact, female 0.64, 18AWG, CuN

English

### CAD Files

3D PDF

3D

Customer View Model

[ENG\\_CVM\\_CVM\\_2098762-2\\_C.2d\\_dxf.zip](#)

English

Customer View Model

[ENG\\_CVM\\_CVM\\_2098762-2\\_C.3d\\_igs.zip](#)

English

Customer View Model

[ENG\\_CVM\\_CVM\\_2098762-2\\_C.3d\\_stp.zip](#)

English

By downloading the CAD file I accept and agree to the [Terms and Conditions](#) of use.

## Product Specifications



### Application Specification

English

---

### Product Environmental Compliance

#### Product Compliance

English

#### Product Compliance

English