

2-963217-1 ✓ ACTIVE

AMP | Junior Power Timer

TE Internal #: 2-963217-1

Housing for Female Terminals, Wire-to-Wire, 16 Position, .197 in [5 mm] Centerline, Sealable, Gray, Signal, Junior Power Timer

[View on TE.com >](#)



Connectors > Automotive Connectors > Connector Housings > TIMER, CONNECTOR HOUSING



Connector & Housing Type: **Housing for Female Terminals**

Mating Tab Width: **2.8 mm [.11 in]**

Connector System: **Wire-to-Wire**

Number of Positions: **16**

Centerline (Pitch): **5 mm [.197 in]**

[All TIMER, CONNECTOR HOUSING \(543\)](#)

Features

Product Type Features

Connector & Housing Shape	Rectangular
Connector & Housing Type	Housing for Female Terminals
Connector System	Wire-to-Wire
Sealable	Yes
Hybrid Connector	No
Primary Locking Feature	On the Terminal

Configuration Features

Number of Positions	16
Number of Rows	2

Body Features

Body Material	PBT GF
Primary Product Color	Gray

Contact Features

Contact Size	2.8mm
Contact Type	Receptacle
Mating Tab Width	2.8 mm[.11 in]

Mechanical Attachment



Terminal Position Assurance	No
Strain Relief	Without
Mating Alignment Type	Polarization Slot
Mating Alignment	With
Connector Mounting Type	Cable Mount (Free-Hanging)

Housing Features

Centerline (Pitch)	5 mm[.197 in]
--------------------	---------------

Dimensions

Product Width	24.3 mm[.957 in]
Product Length	52.65 mm[2.073 in]
Product Height	37.75 mm[1.486 in]
Row-to-Row Spacing	6 mm[.236 in]

Operation/Application

Circuit Application	Signal
---------------------	--------

Packaging Features

Packaging Quantity	500
Packaging Method	Carton

Other

Serviceable	No
Connector Position Assurance Capable	No

Product Compliance

[For compliance documentation, visit the product page on TE.com>](#)

EU RoHS Directive 2011/65/EU	Compliant
EU ELV Directive 2000/53/EC	Compliant
China RoHS 2 Directive MIIT Order No 32, 2016	No Restricted Materials Above Threshold
EU REACH Regulation (EC) No. 1907/2006	Current ECHA Candidate List: JUNE 2022 (224) Candidate List Declared Against: JAN 2022 (223) SVHC > Threshold: Not Yet Reviewed
Halogen Content	BFR/CFR/PVC Free, but Br/Cl >900 ppm in other sources.

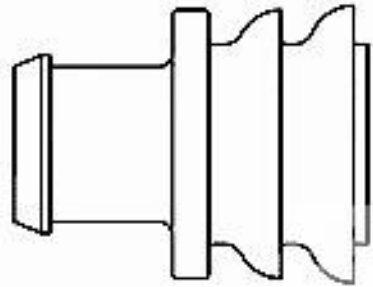
Solder Process Capability

Not applicable for solder process capability

Product Compliance Disclaimer

This information is provided based on reasonable inquiry of our suppliers and represents our current actual knowledge based on the information they provided. This information is subject to change. The part numbers that TE has identified as EU RoHS compliant have a maximum concentration of 0.1% by weight in homogenous materials for lead, hexavalent chromium, mercury, PBB, PBDE, DBP, BBP, DEHP, DIBP, and 0.01% for cadmium, or qualify for an exemption to these limits as defined in the Annexes of Directive 2011/65/EU (RoHS2). Finished electrical and electronic equipment products will be CE marked as required by Directive 2011/65/EU. Components may not be CE marked. Additionally, the part numbers that TE has identified as EU ELV compliant have a maximum concentration of 0.1% by weight in homogenous materials for lead, hexavalent chromium, and mercury, and 0.01% for cadmium, or qualify for an exemption to these limits as defined in the Annexes of Directive 2000/53/EC (ELV). Regarding the REACH Regulation, the information TE provides on SVHC in articles for this part number is based on the latest European Chemicals Agency (ECHA) 'Guidance on requirements for substances in articles' posted at this URL: <https://echa.europa.eu/guidance-documents/guidance-on-reach>

Compatible Parts



TE Part # 282081-1
RUBBER PLUG



TE Part # 828905-1
SINGLE-WIRE-SEAL(5MM HOLE)



TE Part # 828904-1
SINGLE WIRE SEAL FOR J.P.T.CON



TE Part # CAT-LMPH9507
LOW & MEDIUM POWER HEADER



TE Part # CAT-T4827-T273
TIMER, RECEPTACLE AND TAB



TE Part # 1452317-1
COVER F.16P JPT HSG



TE Part # 282081-2
RUBBER PLUG



TE Part # 3-963215-1
16P STIFTWANNE 3MM



TE Part # 1-929937-1
JPT REC 2.8 Contact SWS Au



TE Part # 5-963215-1
16P STIFTWANNE 3MM

Also in the Series | **Junior Power Timer**



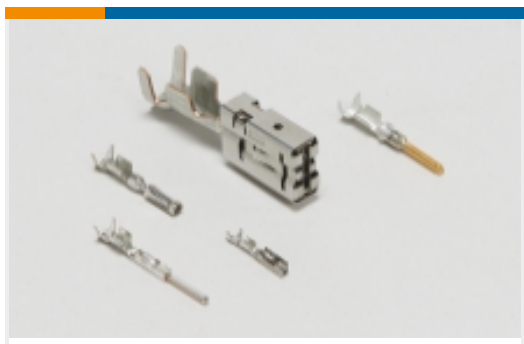
Automotive Connector Caps & Covers (5)



Automotive Housings(225)



Automotive Seals & Cavity Plugs(10)



Automotive Terminals(82)



Busbars & Terminals(1)



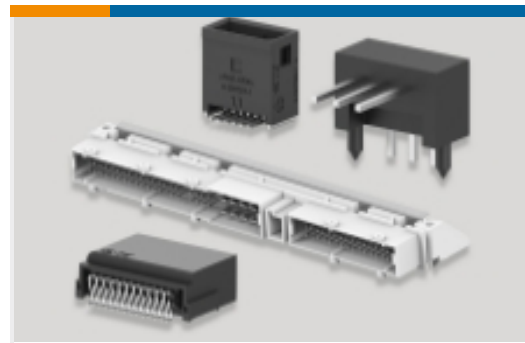
Insertion & Extraction Tools(9)



Module Components(8)



Other Automotive Connector Accessories(1)



PCB Headers & Receptacles(1)

Customers Also Bought



TE Part #827249-2
TIMER, CONNECTOR HOUSING



TE Part #2-963215-1
16P STIFTWANNE 3MM



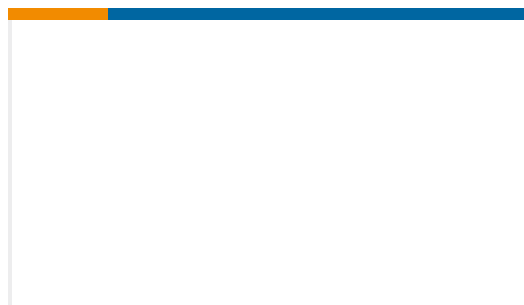
TE Part #2103340-1
HVA280 3 Bay Header Sub-Assy, KEY A,D,E



TE Part #2103245-5
Inner Housing, Split Hdr, Key E, HVA280



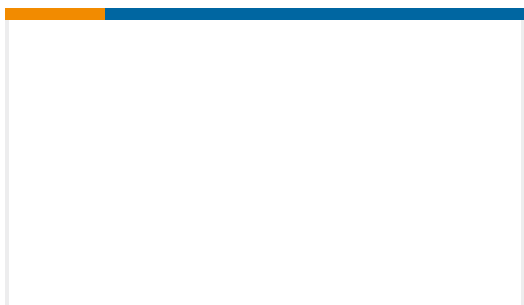
TE Part #1-170823-1
110 FASTON SLEEVE,REC., TRANSPARENT,NAT



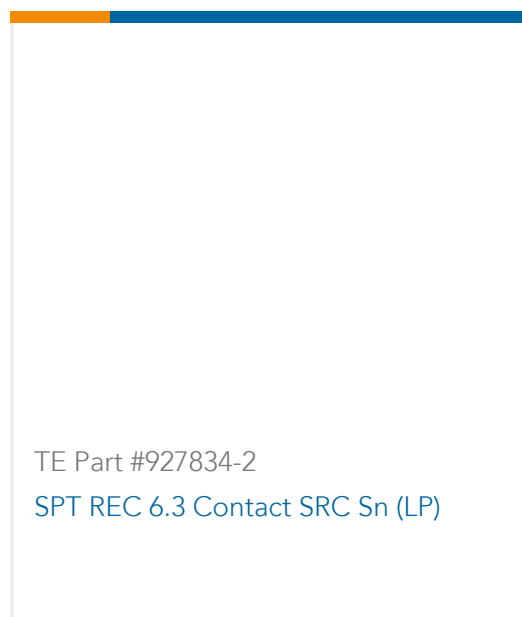
TE Part #2-964449-1
TAB HOUSING 2,8 16POS GREY



TE Part #1-1110952-0
HF.06-CH-70 qmm-SW17



TE Part #927828-2
SPT REC 6.3 Contact SRC Sn (LP)



Documents

Product Drawings

[16 J-P-T GEH KOMPL](#)

English

CAD Files

[3D PDF](#)

English

Customer View Model

[ENG_CVM_2-963217-1_D.2d_dxf.zip](#)

English

Customer View Model

[ENG_CVM_2-963217-1_D.3d_igs.zip](#)

English

Customer View Model

[ENG_CVM_2-963217-1_D.3d_stp.zip](#)

English

By downloading the CAD file I accept and agree to the [Terms and Conditions](#) of use.

Datasheets & Catalog Pages

[Timer Interconnection System](#)

English

Product Environmental Compliance

[Product Compliance](#)

English

[Product Compliance](#)

English