

4

3

2

1

THIS DRAWING IS UNPUBLISHED.

RELEASED FOR PUBLICATION

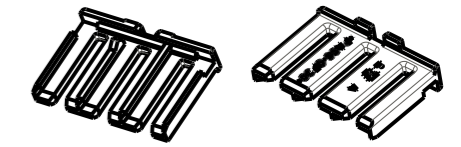
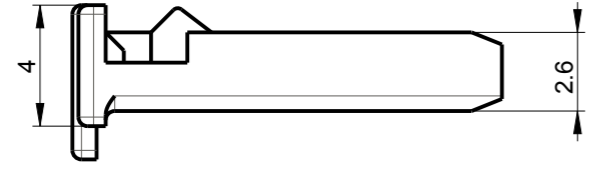
© COPYRIGHT

ALL RIGHTS RESERVED.

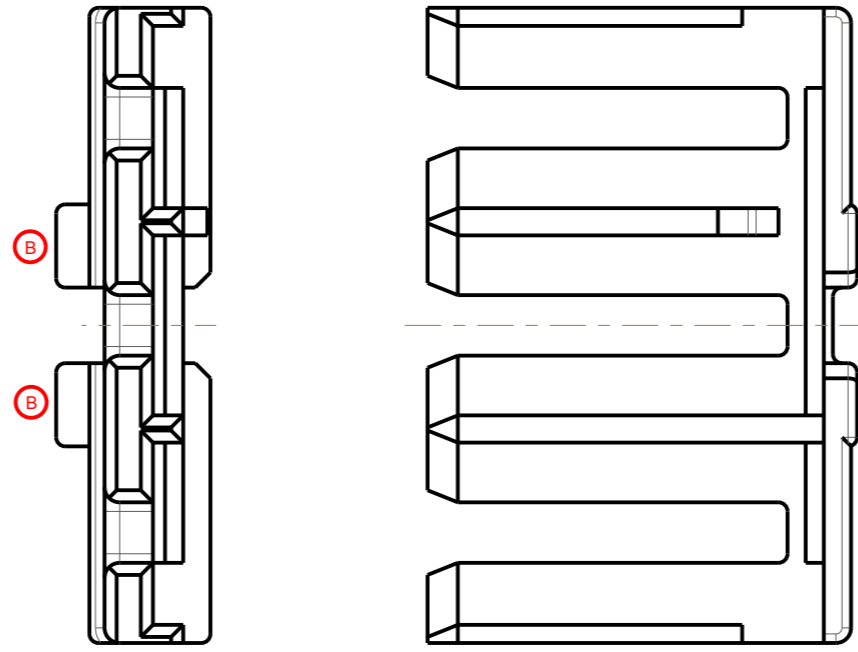
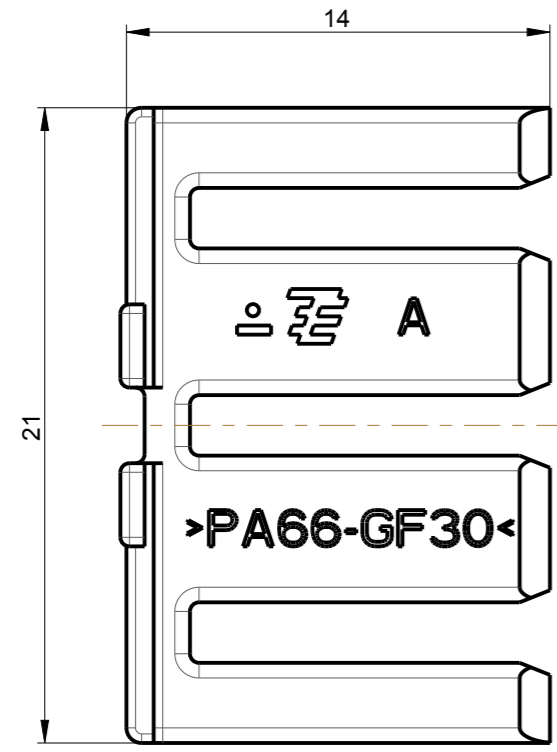
LOC DS DIST

REVISIONS

P	LTR	DESCRIPTION	DATE	DWN	APVD
	A	RELEASED	25.JUN.'10	YH	HG
	B	REVISED (ECR-11-025149)	26.JUL.'11	YH	HG



3D VIEW SCALE 1:1



NOTE.

- 1.MATING CONN'R ASSY P/N: 2005465
- 2.APPLICATION TEST SPEC: MS210-12[EXT-2](EXCEPT 4.4)

PURPLE	PA66-GF30	RETAINER HSG	2005472-6
COLOR	MATERIAL	DESCRIPTION	P/N

THIS DRAWING IS A CONTROLLED DOCUMENT.

DIMENSIONS: MM		TOLERANCES UNLESS OTHERWISE SPECIFIED:	
<p>3rd ANGLE PROJECTION</p>		1 PLC	± DECIMALS: ±0.5
		2 PLC	± ANGLES: ±3°
		3 PLC	±
		4 PLC	±
MATERIAL	FINISH		

DWN YH MA
CHK KT LIM
APVD HG CHO
PRODUCT SPEC
APPLICATION SPEC
WEIGHT
CUSTOMER DRAWING

TE TE Connectivity

NAME
MCP 2.8mm RETAINER HSG FOR ECU 91P PLUG ASS'Y

SIZE	CAGE CODE	DRAWING NO	RESTRICTED TO
A3	00779	C- 2005472	

SCALE 4:1 SHEET 1 OF 1 REV B