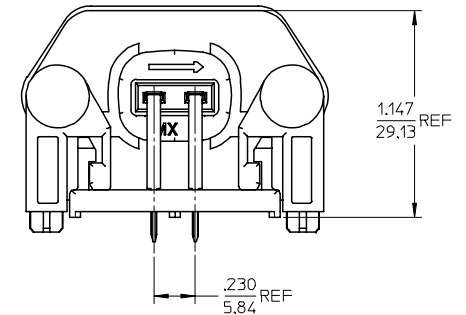
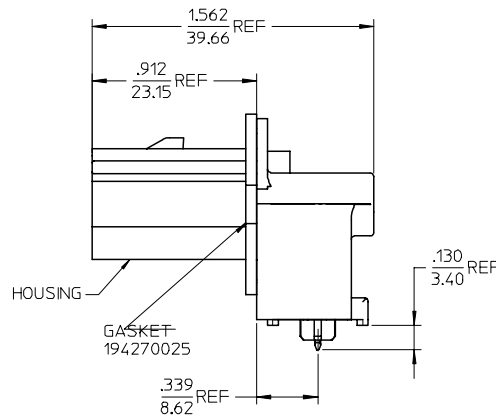
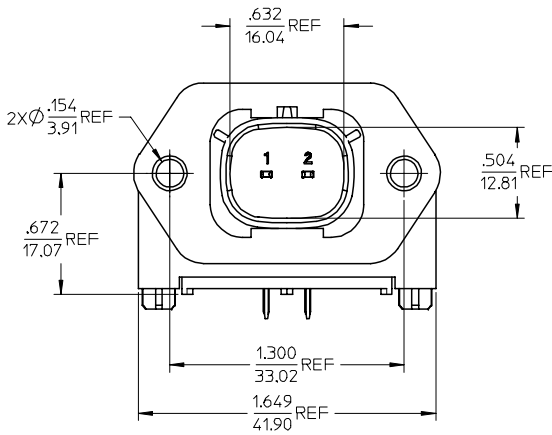


RECOMMENDED PCB LAYOUT
COMPONENT SIDE
TOLERANCES ARE NON-ACCUMULATIVE



NOTES:

- MATERIALS:
HOUSING: POLYESTER (PBT), GLASS FILLED, UL94 V-0,
COLOR: BLACK
TERMINALS: COPPER ALLOY
- FINISHES: 1. TIN ONLY: 100µN TIN OVER 50µN NICKEL
2. TIN/GOLD: 30µN SELECT GOLD (CONTACT MATING AREA),
100µN SELECT TIN (PCB TAIL AREA) OVER 50µN NICKEL OVERALL.
- PRODUCT SPECIFICATION: PS-19427-001.
- PACKAGING SPECIFICATION: PK-19427-001.
- MATES WITH: 19418 SERIES RECEPTACLE ASSEMBLIES.
- RECOMMENDED MOUNTING HARDWARE: (2) #10 X .62/18.9 LONG PLASTIC
THREAD CUTTING SCREWS. RECOMMENDED TORQUE 15-17 IN-LBS.
SUGGESTED SOURCE: ITW SHAKEPROOF INDUSTRIAL BOSSCREW OR EQUIVALENT.

MATERIAL NO.	PLATING
194270040	TIN
194270109	SELECT GOLD/TIN

REVISED EC NO: ETC2006-0028 DRWN: JPAWLCK 2005/10/10 CHKD: JPAWLCK 2005/10/11 APPR: RDEROSS 2005/10/11 REVISION DESCRIPTION	QUALITY SYMBOLS	GENERAL TOLERANCES (UNLESS SPECIFIED) mm INCH 4 PLACES ± --- ± --- 3 PLACES ± --- ± .015 2 PLACES ± 0.38 ± --- 1 PLACE ± --- ± --- ANGULAR ± 1 °	DIMENSION STYLE	SCALE	DESIGN UNITS	THIRD ANGLE PROJECTION	
			IN/MM	2:1	INCH		
				TITLE			
				2 WAY RIGHT ANGLE HEADER ASSEMBLY			
			DRAWN BY JLOMASTR DATE 04/07/22	MOLEX INCORPORATED MATERIAL NO. SD-19427-018 DOCUMENT NO.			SHEET NO.
			CHECKED BY JPAWLCK DATE 04/07/24	THIS DRAFTING CONTAINS INFORMATION THAT IS PROPRIETARY TO MOLEX INCORPORATED AND SHOULD NOT BE USED WITHOUT WRITTEN PERMISSION			1 OF 1
			APPROVED BY RDEROSS DATE 04/07/28				
			DRAFT WHERE APPLICABLE MUST REMAIN WITHIN DIMENSIONS				