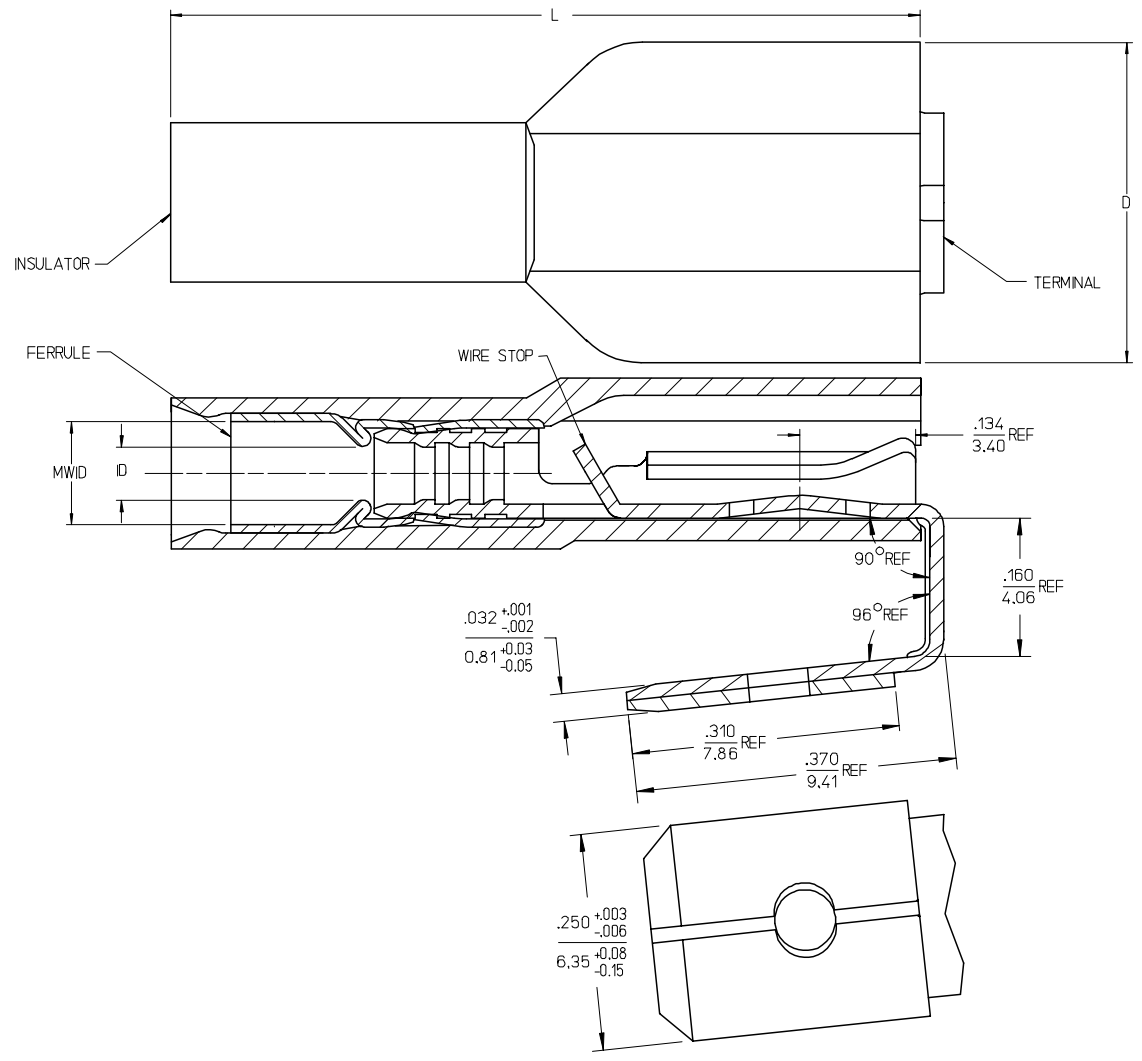


| | | | | | | | | | | | | | |
|---|--------------------------|-----------------------------|-------------------------|----------------------------|-----------|--------------------|---------------|-----------|-----------|-------------|---|---|---|
| | 13 | 12 | 11 | 10 | 9 | 8 | 7 | 6 | 5 | 4 | 3 | 2 | 1 |
| | MATERIAL NO. LOOSE PC | ENGINEERING NO. LOOSE PC | MATERIAL NO. ON TAPE | ENGINEERING NO. ON TAPE | WIRE SIZE | INSULATOR COLOR | ID MIN REF | MWD | D MAX | L MAX | | | |
| J | 196020004 | 19602-0004 | 196020010 | 19602-0010 | 22-18 AWG | RED | .0575/1.480 | .116/2.95 | .380/9.65 | .880/22.35 | | | |
| | 196020005 | 19602-0005 | 196020011 | 19602-0011 | 16-14 AWG | BLUE | .082/2.08 | .139/3.53 | .380/9.65 | .880/22.35 | | | J |
| | 196020006 | 19602-0006 | 196020012 | 19602-0012 | 12-10 AWG | YELLOW | .144/3.66 | .231/5.87 | .380/9.65 | 1.020/25.91 | | | |



- NOTES:
1. TERMINAL MATERIAL: BRASS
 2. TERMINAL FINISH: TIN PLATED
 3. INSULATOR MATERIAL: NYLON
 4. FERRULE MATERIAL: BRASS
 5. FERRULE FINISH: TIN PLATED
 6. MWD = MAXIMUM WIRE INSULATION DIAMETER.
 7. ASSEMBLY IS ROHS COMPLIANT.

| REDRAWN & REVISED EC NO: ETC2007-0259 DRAWN: HEILE 2007/02/28 CHKD: IMACNEIL 2007/03/05 APPR: IMACNEIL 2007/03/05 REVISIONS DESCRIPTION | QUALITY SYMBOLS | GENERAL TOLERANCES (UNLESS SPECIFIED) | DIMENSION STYLE | SCALE | DESIGN UNITS | THIRD ANGLE PROJECTION | | | | | | | | | | | | | | | | | | |
|--|--------------------------|--|--|---|--------------|------------------------|-------|-------|----------|-------|-------|----------|-------|-------|---------|-------|-------|----------------|--|--|-------|------|------|--|
| | $\nabla=0$ $\nabla=0$ | <table border="1"> <tr> <th></th> <th>mm</th> <th>INCH</th> </tr> <tr> <td>4 PLACES</td> <td>± ---</td> <td>± ---</td> </tr> <tr> <td>3 PLACES</td> <td>± ---</td> <td>± ---</td> </tr> <tr> <td>2 PLACES</td> <td>± ---</td> <td>± ---</td> </tr> <tr> <td>1 PLACE</td> <td>± ---</td> <td>± ---</td> </tr> <tr> <td colspan="3">ANGULAR ± ---°</td> </tr> </table> | | mm | INCH | 4 PLACES | ± --- | ± --- | 3 PLACES | ± --- | ± --- | 2 PLACES | ± --- | ± --- | 1 PLACE | ± --- | ± --- | ANGULAR ± ---° | | | IN/MM | 10:1 | INCH | |
| | | mm | INCH | | | | | | | | | | | | | | | | | | | | | |
| | 4 PLACES | ± --- | ± --- | | | | | | | | | | | | | | | | | | | | | |
| 3 PLACES | ± --- | ± --- | | | | | | | | | | | | | | | | | | | | | | |
| 2 PLACES | ± --- | ± --- | | | | | | | | | | | | | | | | | | | | | | |
| 1 PLACE | ± --- | ± --- | | | | | | | | | | | | | | | | | | | | | | |
| ANGULAR ± ---° | | | | | | | | | | | | | | | | | | | | | | | | |
| | | | DRAWN BY DATE DAY 1997/08/21 CHECKED BY DATE RWD 1997/08/21 APPROVED BY DATE RWD 1997/08/21 | PIGGYBACK FIOD, .250 X .032 TAB, AVIKRIMP | | | | | | | | | | | | | | | | | | | | |
| | | | SEE CHART | MOLEX INCORPORATED MATERIAL NO. SD-19602-001 DOCUMENT NO. SHEET NO. 1 OF 1 | | | | | | | | | | | | | | | | | | | | |
| | | | DRAFT WHERE APPLICABLE MUST REMAIN WITHIN DIMENSIONS | THIS DRAWING CONTAINS INFORMATION THAT IS PROPRIETARY TO MOLEX INCORPORATED AND SHOULD NOT BE USED WITHOUT WRITTEN PERMISSION | | | | | | | | | | | | | | | | | | | | |