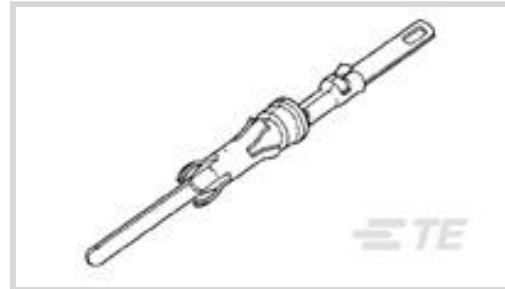




Connectors > Power Connectors > Power Contacts

Power Contact Type: **Contact**Contact Mating Area Plating Material: **Precious Metal**Connector & Contact Terminates To: **Wire & Cable**Termination Method to Wire & Cable: **Solder Tab**Contact Current Rating (Max): **13 A**

Features

Product Type Features

Power Contact Type	Contact
Connector & Contact Terminates To	Wire & Cable

Electrical Characteristics

Test Current	13 A
--------------	------

Contact Features

Contact Mating Area Plating Material	Precious Metal
Contact Current Rating (Max)	13 A
Contact Type	Pin
Contact Retention Within Housing	With
Mating Pin Diameter	1.57 mm[.062 in]
Contact Base Material	Brass
Contact Mating Area Plating Material Thickness	.76 µm[30 µin]
Contact Mating Area Plating Material Finish	Bright
Wire Contact Termination Area Plating Thickness	2.54 µm[100 µin]
Wire Contact Termination Area Plating Material	Tin-Lead
Contact Orientation	Straight
Contact Underplating Material	Nickel
Contact Underplating Material Thickness	1.27 µm[50 µin]



Contact Size	16
--------------	----

Termination Features

Rectangular Termination Post & Tail Thickness	.51 mm[.02 in]
Rectangular Termination Post & Tail Width	2.67 mm[.105 in]
Termination Method to Wire & Cable	Solder Tab

Mechanical Attachment

Wire Insulation Support	Without
-------------------------	---------

Usage Conditions

Operating Temperature Range	-55 – 150 °C[-67 – 302 °F]
-----------------------------	----------------------------

Operation/Application

Circuit Application	Power & Signal
---------------------	----------------

Packaging Features

Packaging Method	Carton
Packaging Quantity	1000

Other

Wire/Cable Type	Discrete Wire
For Use With	CPC Connectors, M Series Connectors
Comment	These contacts can be used in MultiMate contact positions of all connector housings.

Product Compliance

[For compliance documentation, visit the product page on TE.com>](#)

EU RoHS Directive 2011/65/EU	Not Compliant
EU ELV Directive 2000/53/EC	Not Compliant
China RoHS 2 Directive MIIT Order No 32, 2016	Restricted Materials Above Threshold
EU REACH Regulation (EC) No. 1907/2006	Current ECHA Candidate List: JUNE 2022 (224) Candidate List Declared Against: JAN 2022 (223) SVHC > Threshold: Pb (13% in Component Part) Article Safe Usage Statements: Do not eat, drink or smoke when using this product. Wash thoroughly after handling. Recycle if possible and dispose of the article by following all applicable governmental regulations relevant to your geographic location.
Halogen Content	Low Halogen - Br, Cl, F, I < 900 ppm per homogenous material. Also BFR/CFR/PVC Free

Solder Process Capability

Not applicable for solder process capability

Product Compliance Disclaimer

This information is provided based on reasonable inquiry of our suppliers and represents our current actual knowledge based on the information they provided. This information is subject to change. The part numbers that TE has identified as EU RoHS compliant have a maximum concentration of 0.1% by weight in homogenous materials for lead, hexavalent chromium, mercury, PBB, PBDE, DBP, BBP, DEHP, DIBP, and 0.01% for cadmium, or qualify for an exemption to these limits as defined in the Annexes of Directive 2011/65/EU (RoHS2). Finished electrical and electronic equipment products will be CE marked as required by Directive 2011/65/EU. Components may not be CE marked. Additionally, the part numbers that TE has identified as EU ELV compliant have a maximum concentration of 0.1% by weight in homogenous materials for lead, hexavalent chromium, and mercury, and 0.01% for cadmium, or qualify for an exemption to these limits as defined in the Annexes of Directive 2000/53/EC (ELV). Regarding the REACH Regulation, the information TE provides on SVHC in articles for this part number is based on the latest European Chemicals Agency (ECHA) 'Guidance on requirements for substances in articles' posted at this URL: <https://echa.europa.eu/guidance-documents/guidance-on-reach>

Compatible Parts



TE Part # 200893-2
INSERTION TOOL CONT

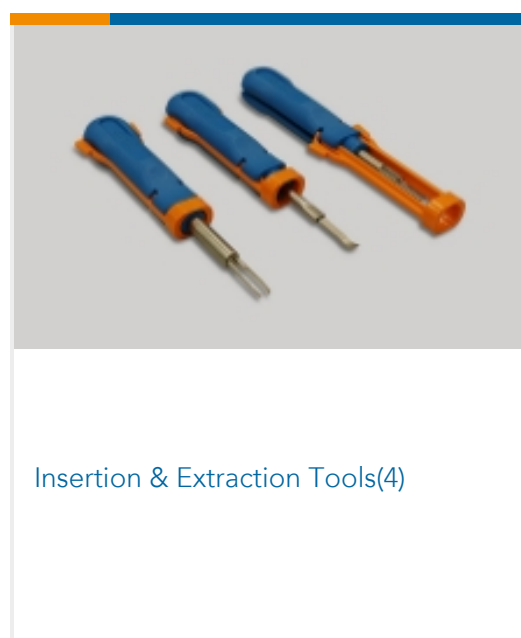


TE Part # 539972-1
EXTRACTION TOOL

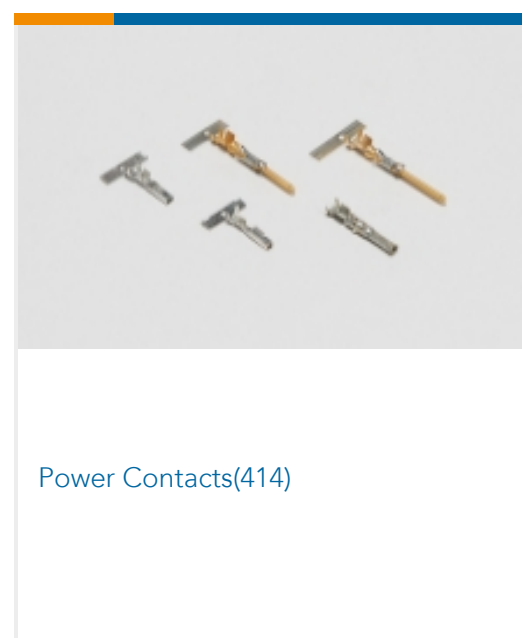


TE Part # 305183
EXTRACT TOOL TYPE 2 20-16

Also in the Series | AMP Type III+



Insertion & Extraction Tools(4)

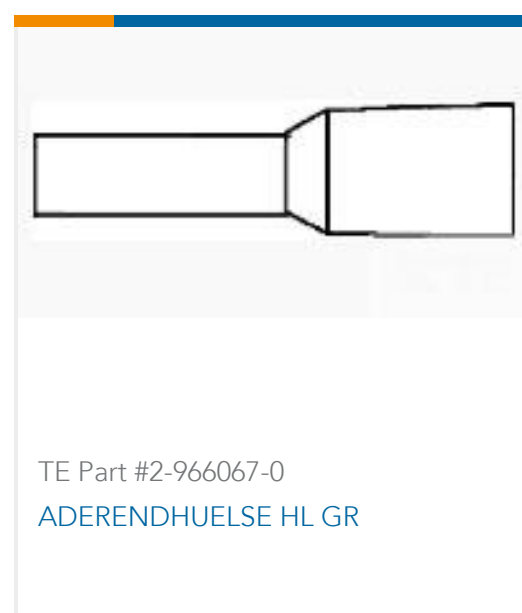


Power Contacts(414)

Customers Also Bought



TE Part #2-6609028-0
30VK6=F7358 S0



TE Part #2-966067-0
ADERENDHUELSE HL GR



TE Part #770025-1
03P UMNLI IN-LINE CAP HSG KIT



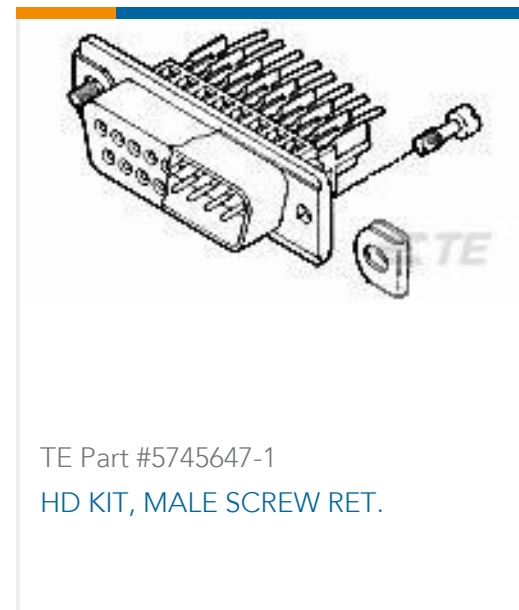
TE Part #172331-1
MINI UNIVERSAL MATE-N-LOK CAP HOUSING 6P



TE Part #61499-1
250 FASTON TAB TPBR



TE Part #350218-7
UMNL PIN 20-14 .0126AUBR



TE Part #5745647-1
HD KIT, MALE SCREW RET.



TE Part #211398-2
CPC RECPT. SIZE 13-7



TE Part #5225395-7
BNC PLUG DUAL CRIMP RG174,188



TE Part #5745854-3
CABLE CLAMP KIT, SZ 1

Documents

Product Drawings

III+ PIN,SOLTAB,30AU,10AU FLASH,LP

English

CAD Files

3D PDF

3D

Customer View Model

[ENG_CVM_CVM_202236-1_Y.2d_dxf.zip](#)

English

Customer View Model

[ENG_CVM_CVM_202236-1_Y.3d_igs.zip](#)

English

Customer View Model

[ENG_CVM_CVM_202236-1_Y.3d_stp.zip](#)

English

3D PDF

English

Customer View Model

[ENG_CVM_202236-1_T.2d_dxf.zip](#)

English

Customer View Model

[ENG_CVM_202236-1_T.3d_igs.zip](#)

English

Customer View Model

[ENG_CVM_202236-1_T.3d_stp.zip](#)

English



By downloading the CAD file I accept and agree to the [Terms and Conditions](#) of use.

Datasheets & Catalog Pages

M_SERIES_PIN_AND_SOCKET_CONNECTORS

English

Product Specifications

Application Specification

English