

201921-1 ✓ ACTIVE

AMP

TE Internal #: 201921-1

Rectangular Connector Hardware, Locking Spring - Spring Member, Wire-to-Wire, 14 / 20 / 41 Position, Wire & Cable, Power & Signal

[View on TE.com >](#)



Connectors > Rectangular Connectors > Rectangular Connector Accessories > Rectangular Connector Hardware



Hardware Type: **Locking Spring - Spring Member**

Connector System: **Wire-to-Wire**

Number of Positions: **6, 14, 20, 41**

Sealable: **No**

Connector & Contact Terminates To: **Wire & Cable**

Features

Product Type Features

Strain Relief	Without
Product Type	Hardware
Connector System	Wire-to-Wire
Sealable	No
Connector & Contact Terminates To	Wire & Cable

Configuration Features

Number of Positions	6, 14, 20, 41
---------------------	---------------

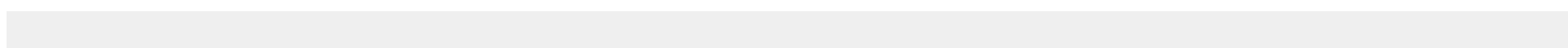
Body Features

Material	Carbon Steel
----------	--------------

Mechanical Attachment

Hardware Type	Locking Spring - Spring Member
Connector Mounting Type	Cable Mount (Free-Hanging)

Dimensions





Width	9.52 mm[.375 in]
Height	11.64 mm[.458 in]
Length	16.39 mm[.645 in]

Usage Conditions

Operating Temperature Range	-55 – 150 °C[-67 – 302 °F]
-----------------------------	----------------------------

Operation/Application

For Use With	6, 14, 20 and 41 Position Posted Connectors, 6, 14, 20 and 41 Position Standard Connectors
Circuit Application	Power & Signal

Packaging Features

Packaging Quantity	50
Packaging Method	Bag

Product Compliance

[For compliance documentation, visit the product page on TE.com>](#)

EU RoHS Directive 2011/65/EU	Compliant
EU ELV Directive 2000/53/EC	Compliant
China RoHS 2 Directive MIIT Order No 32, 2016	No Restricted Materials Above Threshold
EU REACH Regulation (EC) No. 1907/2006	Current ECHA Candidate List: JUNE 2022 (224) Candidate List Declared Against: JUNE 2022 (224) Does not contain REACH SVHC
Halogen Content	Low Halogen - Br, Cl, F, I < 900 ppm per homogenous material. Also BFR/CFR/PVC Free
Solder Process Capability	Not applicable for solder process capability

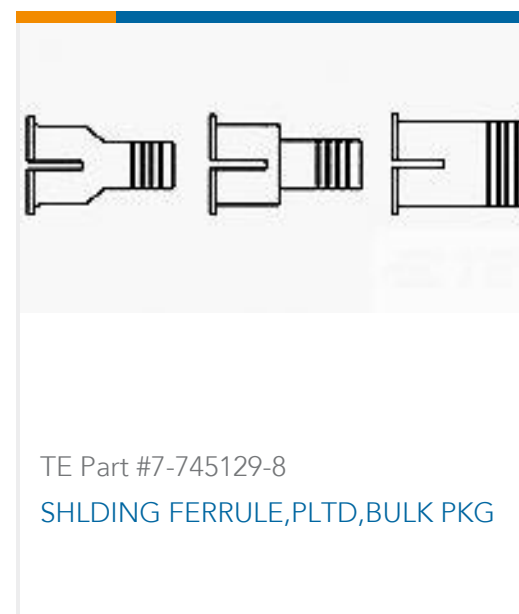
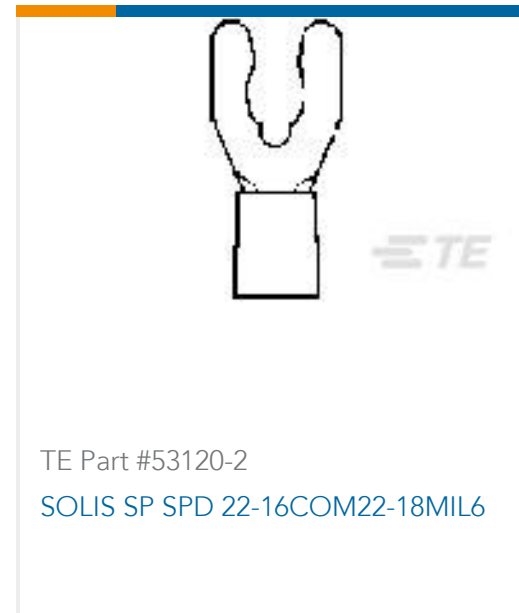
Product Compliance Disclaimer

This information is provided based on reasonable inquiry of our suppliers and represents our current actual knowledge based on the information they provided. This information is subject to change. The part numbers that TE has identified as EU RoHS compliant have a maximum concentration of 0.1% by weight in homogenous materials for lead, hexavalent chromium, mercury, PBB, PBDE, DBP, BBP, DEHP, DIBP, and 0.01% for cadmium, or qualify for an exemption to these limits as defined in the Annexes of Directive 2011/65/EU (RoHS2). Finished electrical and electronic equipment products will be CE marked as required by Directive 2011/65/EU. Components may not be CE marked. Additionally, the part numbers that TE has identified as EU ELV compliant have a maximum concentration of 0.1% by weight in homogenous materials for lead, hexavalent chromium, and mercury, and 0.01% for cadmium, or qualify for an exemption to these limits as defined in the Annexes of Directive 2000/53/EC (ELV). Regarding the REACH Regulation, the information TE provides on SVHC in articles for this part number is based on the latest European Chemicals Agency (ECHA) 'Guidance on requirements for substances in articles' posted at this URL: <https://echa.europa.eu/guidance-documents/guidance-on-reach>

Compatible Parts



Customers Also Bought



Documents

[Product Drawings](#)
[SERIES M LOCKING SPRING](#)

English

[CAD Files](#)
[Customer View Model](#)



[ENG_CVM_201921-1_K.3d_igs.zip](#)

English

Customer View Model

[ENG_CVM_201921-1_K.3d_stp.zip](#)

English

Customer View Model

[ENG_CVM_201921-1_K.2d_dxf.zip](#)

English

3D PDF

English

Customer View Model

[ENG_CVM_CVM_201921-1_C.3d_igs.zip](#)

English

Customer View Model

[ENG_CVM_CVM_201921-1_C.3d_stp.zip](#)

English

Customer View Model

[ENG_CVM_CVM_201921-1_C.2d_dxf.zip](#)

English

3D PDF

3D

By downloading the CAD file I accept and agree to the [Terms and Conditions](#) of use.

Datasheets & Catalog Pages

[M_SERIES_PIN_AND_SOCKET_CONNECTORS](#)

English

Product Environmental Compliance

[MD_201921-1_080820161020_dmtec](#)

English

[MD_201921-1_080820161020_dmtec](#)

English

Instruction Sheets

[Instruction Sheet \(U.S.\)](#)

English

Agency Approvals

[Agency Approval Document](#)

English