



Europa

TE Internal #: 1776315-3

Barrier Strips, Wire-to-Wire, 3 Position, 14.5 mm [.571 in] Centerline, 1 Row, 600 V, 14 – 6 AWG Wire Size, 2 – 14 mm² Wire Size, Wire & Cable, Power

[View on TE.com >](#)

Connectors > Terminal Blocks & Strips > Barrier Strips



Connector System: **Wire-to-Wire**

Number of Positions: **3**

Centerline (Pitch): **14.5 mm [.571 in]**

Number of Rows: **1**

Voltage Rating: **600 V**

Features

Product Type Features

Product Type	Barrier Strip
Connector System	Wire-to-Wire
Connector & Contact Terminates To	Wire & Cable

Configuration Features

Number of Levels	1
Number of Positions	3
Number of Rows	1

Electrical Characteristics

Current Rating (Max)	65 A
Voltage Rating	600 V

Body Features

Color	Natural
-------	---------

Contact Features

Terminal Material	Brass
Terminal Plating Material	Tin
Contact Current Rating (Max)	65 A

Mechanical Attachment

Mounting Insert	Without
-----------------	---------



Screw Plating Finish	Bright
Screw Plating Material	Zinc Chromate
Screw Material	Steel
Mounting Ears	Without
Screw Size	M3.5
Connector Mounting Type	Panel Mount

Housing Features

Housing Material	Polyamide 6
Centerline (Pitch)	14.5 mm [.571 in]

Dimensions

Length	40.2 mm
Wire Size	2 – 14 mm ²

Usage Conditions

Operating Temperature Range	-35 – 100 °C [-31 – 212 °F]
-----------------------------	-----------------------------

Operation/Application

Circuit Application	Power
---------------------	-------

Industry Standards

UL Flammability Rating	UL 94V-2
------------------------	----------

Packaging Features

Packaging Quantity	1
Packaging Method	Carton

Product Compliance

[For compliance documentation, visit the product page on TE.com>](#)

EU RoHS Directive 2011/65/EU	Compliant with Exemptions
EU ELV Directive 2000/53/EC	Compliant with Exemptions
China RoHS 2 Directive MIIT Order No 32, 2016	Restricted Materials Above Threshold
EU REACH Regulation (EC) No. 1907/2006	Current ECHA Candidate List: JUNE 2022 (224) Candidate List Declared Against: JAN 2020 (205) SVHC > Threshold: Pb (3% in Component Part) <small>Article Safe Usage Statements:</small>



Do not eat, drink or smoke when using this product. Wash thoroughly after handling. Recycle if possible and dispose of the article by following all applicable governmental regulations relevant to your geographic location.

Halogen Content

Low Halogen - Br, Cl, F, I < 900 ppm per homogenous material. Also BFR/CFR/PVC Free

Solder Process Capability

Not applicable for solder process capability

Product Compliance Disclaimer

This information is provided based on reasonable inquiry of our suppliers and represents our current actual knowledge based on the information they provided. This information is subject to change. The part numbers that TE has identified as EU RoHS compliant have a maximum concentration of 0.1% by weight in homogenous materials for lead, hexavalent chromium, mercury, PBB, PBDE, DBP, BBP, DEHP, DIBP, and 0.01% for cadmium, or qualify for an exemption to these limits as defined in the Annexes of Directive 2011/65/EU (RoHS2). Finished electrical and electronic equipment products will be CE marked as required by Directive 2011/65/EU. Components may not be CE marked. Additionally, the part numbers that TE has identified as EU ELV compliant have a maximum concentration of 0.1% by weight in homogenous materials for lead, hexavalent chromium, and mercury, and 0.01% for cadmium, or qualify for an exemption to these limits as defined in the Annexes of Directive 2000/53/EC (ELV). Regarding the REACH Regulation, the information TE provides on SVHC in articles for this part number is based on the latest European Chemicals Agency (ECHA) 'Guidance on requirements for substances in articles' posted at this URL: <https://echa.europa.eu/guidance-documents/guidance-on-reach>

Compatible Parts

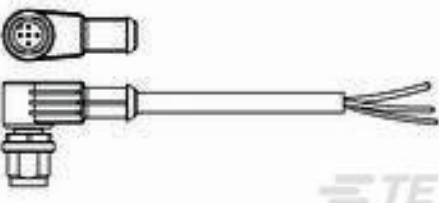


TE Part # 1776313-3
TSB200003DS=EUROPA T-BL,14.5MM



TE Part # 1986189-3
TSB200003DSGW=EUROPA BL,14.5MM

Customers Also Bought



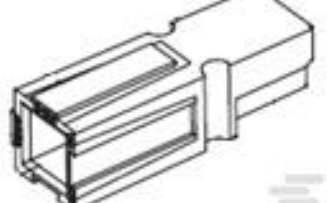
TE Part #1-2273076-1
M12 x 1.0 angled plug pigt A



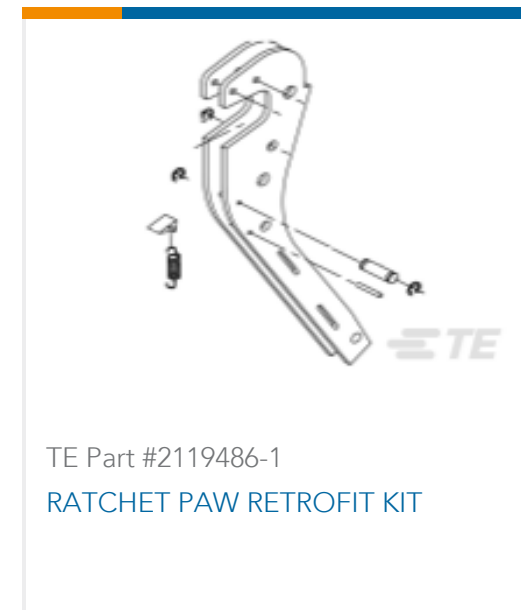
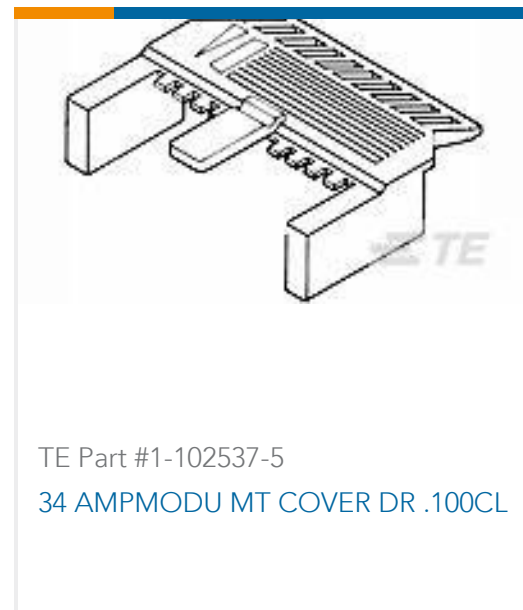
TE Part #T4113011031-000
M12 M, 3P GOLD A_CODE RA SHIELDED PG7



TE Part #52950-2
PG SPR SPD 22-16COMM22-18MIL 8



TE Part #1604078-1
HSG,2X3 POWER PROD RECPT



Documents

Product Drawings

[TSB200003KDS=EUROPA BL,14.5MM](#)

English

CAD Files

Customer View Model

[ENG_CVM_CVM_1776315-3_O.3d_igs.zip](#)

English

Customer View Model

[ENG_CVM_CVM_1776315-3_O.3d_stp.zip](#)

English

Customer View Model

[ENG_CVM_CVM_1776315-3_O.2d_dxf.zip](#)

English

3D PDF

3D

By downloading the CAD file I accept and agree to the [Terms and Conditions](#) of use.

Datasheets & Catalog Pages

[BUCHANAN TERMINAL BLOCKS CATALOG - EUROPA TERMINAL BLOCKS](#)

English