

1924968-5 ✓ ACTIVE



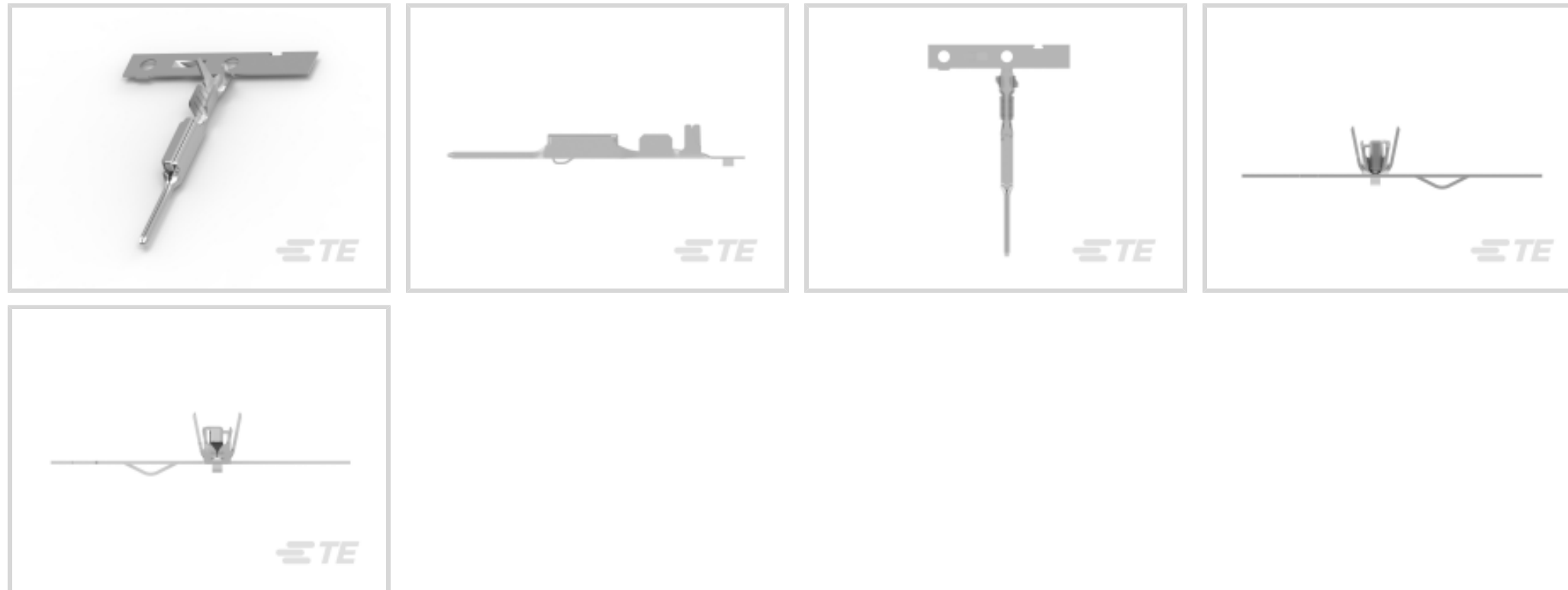
Generation Y Connector System

TE Internal #: 1924968-5

Automotive Terminals, Tab, Mating Tab Width .8 mm [.031 in], Tab Thickness .025 in [.64 mm], 26 AWG Wire Size, Generation Y Connector System

[View on TE.com >](#)

Terminals & Splices > Automotive Terminals



Terminal Type: **Tab**

Mating Tab Width: **.8 mm [.031 in]**

Mating Tab Thickness: **.64 mm [.025 in]**

Terminal Transmits: **0 – 24 A (Low Power)**

Wire Size: **26 AWG**

Features

Product Type Features

Receptacle Style	180°
Sealable	Yes
Primary Locking Feature	Clean Body

Body Features

Terminal Seal Type	Family Seal
--------------------	-------------

Contact Features

Contact Size	.8mm
Contact Fabrication	Stamped & Formed
Terminal Type	Tab
Mating Tab Width	.8 mm[.031 in]
Mating Tab Thickness	.64 mm[.025 in]
Interface Plating	Tin (Sn)
Contact Termination Area Plating Material	Tin (Sn)

Termination Features



Termination Method to Wire & Cable	Crimp
------------------------------------	-------

Product Terminates To	Wire
-----------------------	------

Dimensions

Wire Size	.13 mm ²
-----------	---------------------

Wire Size Search	26 AWG
------------------	--------

Wire Insulation Diameter	1.6 – 2.06 mm [.063 – .081 in]
--------------------------	--------------------------------

Usage Conditions

Insulation Option	Uninsulated
-------------------	-------------

Operating Temperature (Max)	80 °C, 85 °C, 90 °C, 100 °C [176 °F] [185 °F] [194 °F] [212 °F]
-----------------------------	--

Operating Temperature Range	-40 – 100 °C [-40 – 212 °F]
-----------------------------	-----------------------------

Operation/Application

Compatible With Wire Base Material	Copper
------------------------------------	--------

Industry Standards

Agency/Standard	USCAR-21
-----------------	----------

Packaging Features

Packaging Method	Reel
------------------	------

Packaging Quantity	10000
--------------------	-------

Other

Terminal Transmits	0 – 24 A (Low Power)
--------------------	----------------------

Product Compliance

[For compliance documentation, visit the product page on TE.com>](#)

EU RoHS Directive 2011/65/EU	Compliant
------------------------------	-----------

EU ELV Directive 2000/53/EC	Compliant
-----------------------------	-----------

China RoHS 2 Directive MIIT Order No 32, 2016	No Restricted Materials Above Threshold
---	---

EU REACH Regulation (EC) No. 1907/2006	Current ECHA Candidate List: JUNE 2022 (224) Candidate List Declared Against: JAN 2022 (223) SVHC > Threshold: Not Yet Reviewed
--	--

Halogen Content	Low Halogen - Br, Cl, F, I < 900 ppm per homogenous material. Also BFR/CFR/PVC Free
-----------------	---

Solder Process Capability

Not applicable for solder process capability

Product Compliance Disclaimer

This information is provided based on reasonable inquiry of our suppliers and represents our current actual knowledge based on the information they provided. This information is subject to change. The part numbers that TE has identified as EU RoHS compliant have a maximum concentration of 0.1% by weight in homogenous materials for lead, hexavalent chromium, mercury, PBB, PBDE, DBP, BBP, DEHP, DIBP, and 0.01% for cadmium, or qualify for an exemption to these limits as defined in the Annexes of Directive 2011/65/EU (RoHS2). Finished electrical and electronic equipment products will be CE marked as required by Directive 2011/65/EU. Components may not be CE marked. Additionally, the part numbers that TE has identified as EU ELV compliant have a maximum concentration of 0.1% by weight in homogenous materials for lead, hexavalent chromium, and mercury, and 0.01% for cadmium, or qualify for an exemption to these limits as defined in the Annexes of Directive 2000/53/EC (ELV). Regarding the REACH Regulation, the information TE provides on SVHC in articles for this part number is based on the latest European Chemicals Agency (ECHA) 'Guidance on requirements for substances in articles' posted at this URL: <https://echa.europa.eu/guidance-documents/guidance-on-reach>

Compatible Parts

 <p>TE Part # 2138558-1 2P GENERATION Y Cap, Single-Pi</p>	 <p>TE Part # 2138558-2 2P GENERATION Y Cap, Single-Pi</p>	 <p>TE Part # 2138558-3 2P G-Y Cap, Single-Piece, No Clip, A</p>	 <p>TE Part # 2203535-1 1X4 GENERATION Y WITH GET INTERFACE</p>
 <p>TE Part # 2-2208018-1 22POS,0.64 MALE GEN. Y,PIN HSG, ASSY</p>	 <p>TE Part # 2035306-1 Insert, Jack, Gen Y, Hybrid, FAKRA 4</p>	 <p>TE Part # 2141994-1 10POS,TAB 0.63X0.64,PIN HSG,ASSY</p>	 <p>TE Part # 2141995-1 10POS,TAB 0.63X0.64,PIN HSG,ASSY</p>
 <p>TE Part # 2177614-1 10POS,TAB 0.63X0.64,PIN HSG,C,ASSY</p>	 <p>TE Part # 2203535-2 1X4 GENERATION Y WITH GET INTERFACE</p>	 <p>TE Part # 2203535-3 1X4 GENERATION Y WITH GET INTERFACE</p>	 <p>TE Part # 2203535-4 1X4 GENERATION Y WITH GET INTERFACE</p>




TE Part # 2177615-1
10POS,TAB 0.63X0.64,PIN HSG,D,ASSY

TE Part # 2-2208018-2
22POS,0.64 MALE GEN. Y,PIN HSG, ASSY


TE Part # 2-2208018-3
22POS,0.64 MALE GEN. Y,PIN HSG, ASSY

TE Part # 2-2208018-4
22POS,0.64 MALE GEN. Y,PIN HSG, ASSY

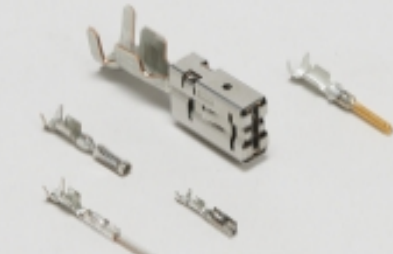
Also in the Series | Generation Y Connector System




Automotive Connector Caps & Covers (16)



Automotive Housings(153)



Automotive Terminals(39)



Insertion & Extraction Tools(1)



PCB Headers & Receptacles(15)

Customers Also Bought



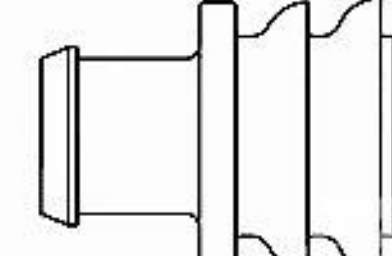
TE Part #DT04-2P
DEUTSCH DT Series Housings & Connectors



TE Part #W2S
DEUTSCH DT WEDGELOCKS



TE Part #282104-1
AMP SUPERSEAL 1.5MM, CONNECTOR HOUSING



TE Part #281934-2
SINGLE WIRE SEAL



TE Part #0460-202-16141
DEUTSCH SOLID CONTACTS



TE Part #114017-ZZ
SEALING PLUG, SIZE 12/16, WHT



Documents

Product Drawings

[CONTACT, MALE 0.64, .13SQMM](#)

English

CAD Files

[3D PDF](#)

3D

Customer View Model

[ENG_CVM_CVM_1924968-5_B.2d_dxf.zip](#)

English

Customer View Model

[ENG_CVM_CVM_1924968-5_B.3d_igs.zip](#)

English

Customer View Model

[ENG_CVM_CVM_1924968-5_B.3d_stp.zip](#)

English

By downloading the CAD file I accept and agree to the [Terms and Conditions](#) of use.

Product Specifications

[Application Specification](#)

English