

**PLEASE CHECK WWW.MOLEX.COM FOR LATEST PART INFORMATION**

**Part Number:** [0190190014](#)  
**Status:** **Active**  
**Description:** Avikrimp™ Quick Disconnect, Female, for 18-22 (0.80-0.35) Wire, Box, Tab 5.21mm (.205") x 0.51mm (.020")

**Documents:**

[Drawing \(PDF\)](#) [RoHS Certificate of Compliance \(PDF\)](#)

**General**

Product Family Quick Disconnects  
 Series [19019](#)  
 Product Name Avikrimp™  
 Type Quick Disconnect

**Physical**

Barrel Type Closed  
 Gender Female  
 Glow-Wire Compliant No  
 Insulation Nylon (PA)  
 Lock to Mating Part None  
 Material - Metal Brass  
 Orientation Straight  
 Packaging Type Bag  
 Polarized to Mating Part No  
 Tab Thickness 0.51mm (.020")  
 Tab Width 5.21mm (.205")  
 Temperature Range - Operating -65°C to +105°C  
 Wire Insulation Diameter 2.90mm (.115") max.  
 Wire Size AWG 18  
 Wire Size AWG 20  
 Wire Size AWG 22  
 Wire Size mm² 0.35 - 0.80

**Electrical**

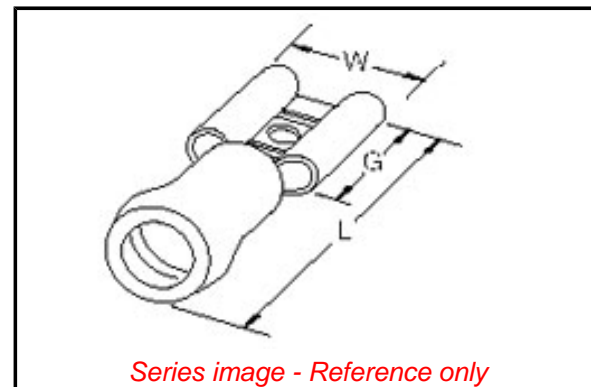
Voltage - Maximum 300V

**Material Info**

Old Part Number AA-8190

**Reference - Drawing Numbers**

Sales Drawing AACD80501  
 Sales Drawing SD-19019-001



**EU RoHS**

**ELV and RoHS Compliant**  
**REACH SVHC**  
 Not Reviewed  
**Halogen-Free Status**  
 Not Reviewed

**China RoHS**



**Need more information on product environmental compliance?**

Email [productcompliance@molex.com](mailto:productcompliance@molex.com)  
 Please visit the [Contact Us](#) section for any non-product compliance questions.

**Search Parts in this Series**

[19019 Series](#)

**Application Tooling | FAQ**

*Tooling specifications and manuals are found by selecting the products below. Crimp Height Specifications are then contained in the Application Tooling Specification document.*

**Global**

Description	Product #
Hand Crimp Tool	<a href="#">0640010200</a>
Hand Crimp Tool	<a href="#">0640011700</a>
Crimp Head for the AT-200™ Pneumatic Hand Tool	<a href="#">0640050200</a>