

1776113-8 ✓ ACTIVE

Buchanan

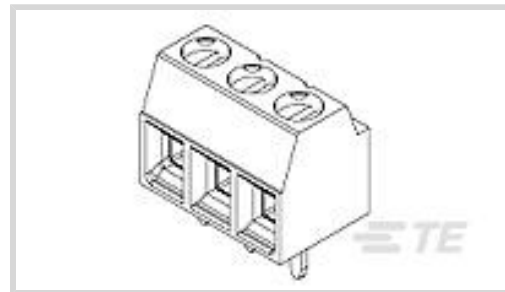
TE Internal #: 1776113-8

PCB Terminal Blocks, Header, Wire-to-Board, 8 Position, .15 in [3.81 mm] Centerline, 1 Row, Side Wire Entry Angle, 28 – 16 AWG Wire Size

[View on TE.com >](#)



Connectors > Terminal Blocks & Strips > PCB Terminal Blocks



Terminal Block Connector Type: **Header**

Connector System: **Wire-to-Board**

Number of Positions: **8**

Centerline (Pitch): **3.81 mm [.15 in]**

Number of Rows: **1**

Features

Product Type Features

| | |
|-----------------------------------|-----------------------|
| Wire Protection | With |
| Block Type | PCB Mount |
| Terminal Block Connector Type | Header |
| Connector System | Wire-to-Board |
| Connector & Contact Terminates To | Printed Circuit Board |

Configuration Features

| | |
|------------------------|----------------|
| Stacked Levels | Without |
| Closed End | Without |
| Stacking Configuration | Side Stackable |
| Number of Positions | 8 |
| Number of Rows | 1 |
| Wire Entry Angle | Side |

Electrical Characteristics

| | |
|----------------------|---------|
| Current Rating (Max) | 12 A |
| Voltage Rating | 150 VAC |

Body Features

| | |
|-----------|---------|
| Interlock | Without |
|-----------|---------|

Contact Features



| | |
|--------------------------------------|--------------|
| Contact Mating Area Plating Material | Tin |
| Contact Mount | Through Hole |
| Contact Base Material | Copper Alloy |
| Contact Current Rating (Max) | 12 A |

Mechanical Attachment

| | |
|--------------------------|--------------|
| Screwless Terminal Block | No |
| Mounting Angle | Vertical |
| Screw Size | M2 |
| Screw Plating Material | Nickel |
| Screw Material | Copper Alloy |
| Screw Flange | Without |
| Connector Mounting Type | Board Mount |

Housing Features

| | |
|--------------------|----------------------------|
| Housing Color | Black |
| Housing Material | High Temperature Polyamide |
| Centerline (Pitch) | 3.81 mm [.15 in] |

Dimensions

| | |
|-----------------|---------------------------|
| PCB Tail Length | 2.6 mm [.102 in] |
| Wire Size | .08 – 1.4 mm ² |

Usage Conditions

| | |
|-----------------------------|-----------------------------|
| Operating Temperature Range | -40 – 105 °C [-40 – 221 °F] |
|-----------------------------|-----------------------------|

Operation/Application

| | |
|---------------------|----------------|
| Circuit Application | Power & Signal |
|---------------------|----------------|

Packaging Features

| | |
|--------------------|-----|
| Packaging Quantity | 100 |
|--------------------|-----|

Product Compliance

[For compliance documentation, visit the product page on TE.com>](#)

| | |
|---|--------------------------------------|
| EU RoHS Directive 2011/65/EU | Compliant with Exemptions |
| EU ELV Directive 2000/53/EC | Compliant |
| China RoHS 2 Directive MIIT Order No 32, 2016 | Restricted Materials Above Threshold |
| EU REACH Regulation (EC) No. 1907/2006 | |



Current ECHA Candidate List: JUNE 2022
(224)

Candidate List Declared Against: JAN 2022
(223)

SVHC > Threshold:
Not Yet Reviewed

Halogen Content

Low Halogen - Br, Cl, F, I < 900 ppm per homogenous material. Also BFR/CFR/PVC Free

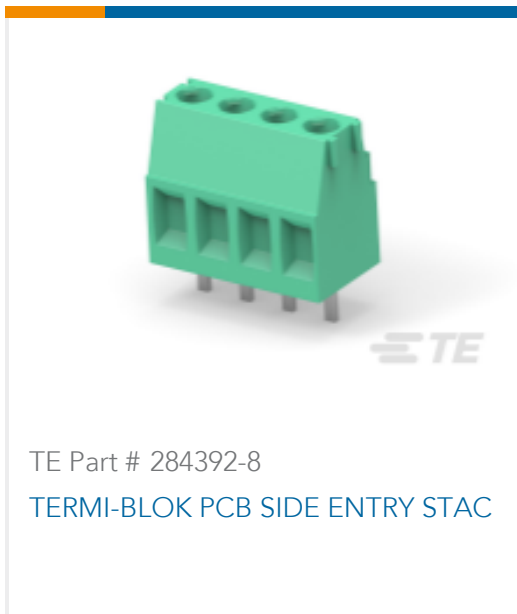
Solder Process Capability

Wave solder capable to 265°C

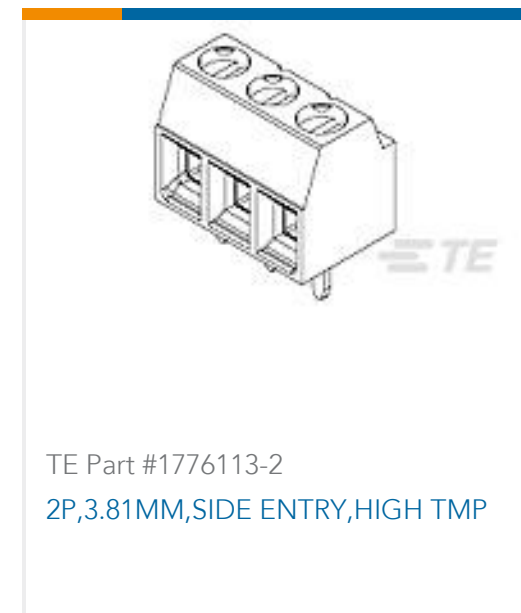
Product Compliance Disclaimer

This information is provided based on reasonable inquiry of our suppliers and represents our current actual knowledge based on the information they provided. This information is subject to change. The part numbers that TE has identified as EU RoHS compliant have a maximum concentration of 0.1% by weight in homogenous materials for lead, hexavalent chromium, mercury, PBB, PBDE, DBP, BBP, DEHP, DIBP, and 0.01% for cadmium, or qualify for an exemption to these limits as defined in the Annexes of Directive 2011/65/EU (RoHS2). Finished electrical and electronic equipment products will be CE marked as required by Directive 2011/65/EU. Components may not be CE marked. Additionally, the part numbers that TE has identified as EU ELV compliant have a maximum concentration of 0.1% by weight in homogenous materials for lead, hexavalent chromium, and mercury, and 0.01% for cadmium, or qualify for an exemption to these limits as defined in the Annexes of Directive 2000/53/EC (ELV). Regarding the REACH Regulation, the information TE provides on SVHC in articles for this part number is based on the latest European Chemicals Agency (ECHA) 'Guidance on requirements for substances in articles' posted at this URL: <https://echa.europa.eu/guidance-documents/guidance-on-reach>

Compatible Parts



Customers Also Bought





Documents

Product Drawings

[8P,3.81MM,SIDE ENTRY,HIGH TMP](#)

English

CAD Files

[3D PDF](#)

3D

Customer View Model

[ENG_CVM_CVM_1776113-8_0.2d_dxf.zip](#)

English

Customer View Model

[ENG_CVM_CVM_1776113-8_0.3d_igs.zip](#)

English

Customer View Model

[ENG_CVM_CVM_1776113-8_0.3d_stp.zip](#)

English

By downloading the CAD file I accept and agree to the [Terms and Conditions](#) of use.

Datasheets & Catalog Pages

[Eurostyle Terminal Blocks Focus Product Stock List](#)

English

[1-1773458-1_EURO_STYLE_TERMINAL_BLOCKS_QRG](#)

English

Product Specifications

[Application Specification](#)

English

1776113-8

PCB Terminal Blocks, Header, Wire-to-Board, 8 Position, .15 in [3.81 mm] Centerline,
1 Row, Side Wire Entry Angle, 28 – 16 AWG Wire Size

