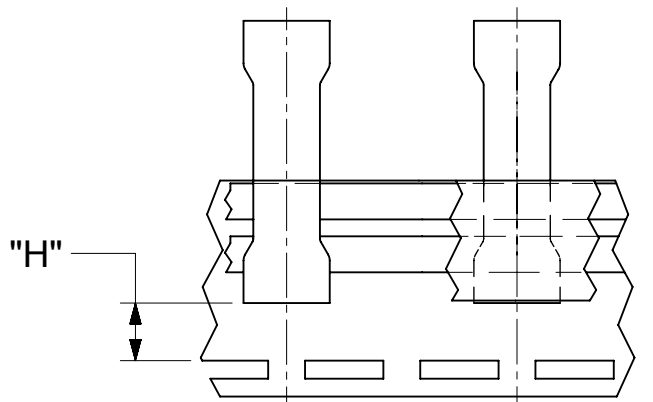
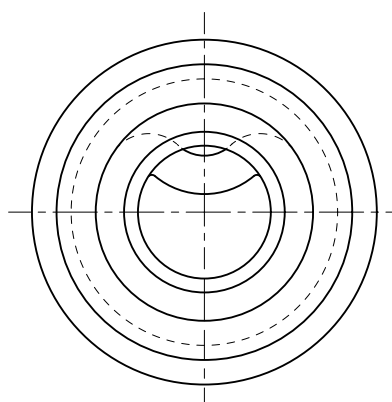
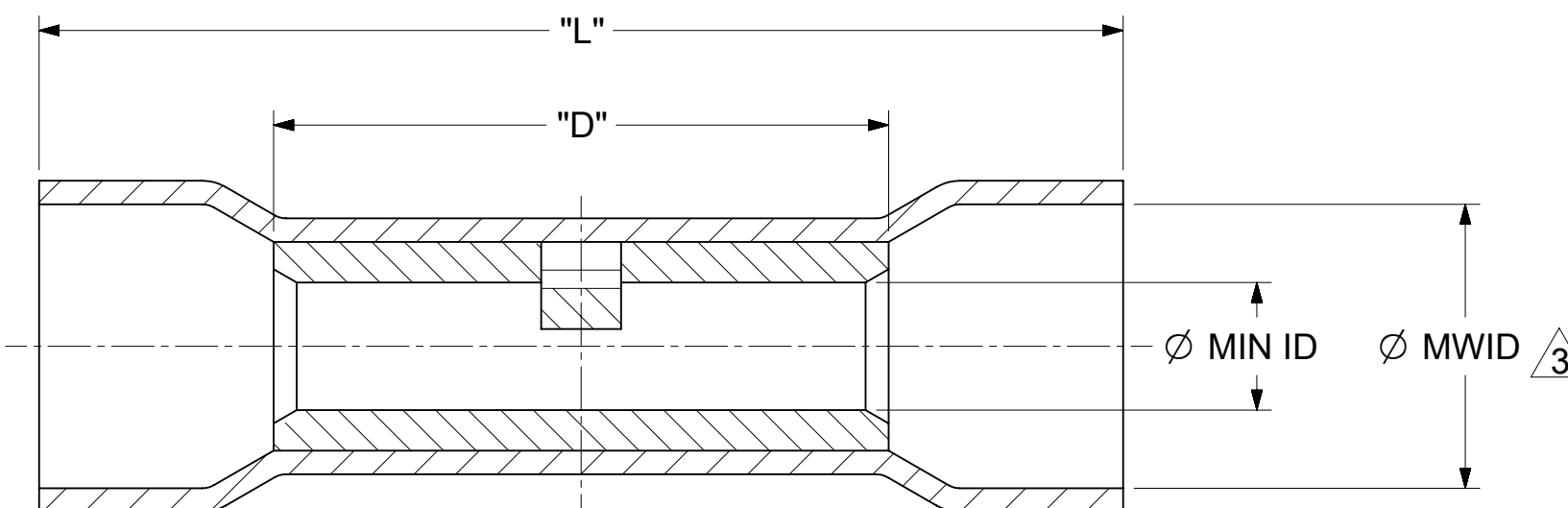


MATERIAL NO. LOOSE PIECE	ENG. NO. LOOSE PIECE	TAPE MATERIAL NO.	TAPE ENG NO.	WIRE AWG	INSULATION COLOR	ID MIN	MWID	"D" MAX	"L" MAX	"H" +/- .03 (0.8)
191540041	D-654X	191540042	D-654XT	8	RED	.165 (4.19)	.33 (8.3)	.864 (21.95)	1.510 (38.35)	.30 (7.6)
191540045	E-662X	191540411 (D1)	E-662XT	6	BLUE	.230 (5.84)	.44 (11.2)	1.045 (26.54)	1.855 (47.12)	.30 (7.6) (D1)
191540048	F-664X	-	-	4	YELLOW	.277 (7.04)	.60 (15.3)	1.155 (29.34)	2.036 (51.71)	-
191540049	G-672X	-	-	2	RED	.357 (9.07)	.65 (16.5)	1.280 (32.51)	2.277 (57.84)	-



PARTS ON TAPE
(DOUBLE-SPACED)

- NOTE(S):
- CONNECTOR
MATERIAL: COPPER
PLATING: MATTE TIN
 - INSULATION:
MATERIAL: PVC
COLOR: SEE CHART
 - MWID = MAXIMUM WIRE INSULATION DIAMETER
 - ALL PARTS ARE RoHS COMPLIANT.

SYMBOLS										THIS DRAWING CONTAINS INFORMATION THAT IS PROPRIETARY TO MOLEX ELECTRONIC TECHNOLOGIES, LLC AND SHOULD NOT BE USED WITHOUT WRITTEN PERMISSION									
DIMENSION UNITS					SCALE					CURRENT REV DESC: ADD NEW PN E-662XT									
IN/MM					NTS					molex BUTT CONNECTOR, SEAMLESS, INSULKRIMP									
GENERAL TOLERANCES (UNLESS SPECIFIED)																			
4 PLACES ±					MM					INCH					INITIAL REVISION:				
3 PLACES ±															DRWN: EHILE 2006/10/17				
2 PLACES ±															APPR: JMACNEIL 2006/10/18				
1 PLACE ±															DOCUMENT NUMBER				
0 PLACES ±															SD-19154-004				
ANGULAR TOL ± °															DOC TYPE DOC PART REVISION				
DRAFT WHERE APPLICABLE MUST REMAIN WITHIN DIMENSIONS					THIRD ANGLE PROJECTION					DRAWING					SERIES				
					B-SIZE					19154					MATERIAL NUMBER CUSTOMER SHEET NUMBER				
										SEE CHART					GENERAL MARKET 1 OF 1				