



AMP | Multilock Connector System

TE Internal #: 175267-2

Automotive Terminals, Receptacle, Mating Tab Width 1 mm [.039 in], Tab Thickness .025 in [.64 mm], 18 – 16 AWG Wire Size, Multilock Connector System

[View on TE.com >](#)

Terminals & Splices > Automotive Terminals > MULTILOCK, RECEPTACLE AND TAB



Terminal Type: **Receptacle**

Mating Tab Width: **1 mm [.039 in]**

Mating Tab Thickness: **.64 mm [.025 in]**

Terminal Transmits: **0 – 24 A (Low Power)**

Wire Size: **18 – 16 AWG**

[All MULTILOCK, RECEPTACLE AND TAB \(143\)](#)

Features

Product Type Features

| | |
|-------------------------|------------|
| Receptacle Style | 180° |
| Sealable | No |
| Primary Locking Feature | Clean Body |

Contact Features

| | |
|---|------------------|
| Contact Size | 1mm |
| Contact Fabrication | Stamped & Formed |
| Crimp Type | F-Crimp |
| Terminal Type | Receptacle |
| Mating Tab Width | 1 mm[.039 in] |
| Mating Tab Thickness | .64 mm[.025 in] |
| Interface Plating | Gold (Au) |
| Contact Termination Area Plating Material | Gold (Au) |

Termination Features

| | |
|------------------------------------|-------|
| Termination Method to Wire & Cable | Crimp |
| Product Terminates To | Wire |

Dimensions

| | |
|-----------|----------------------------|
| Wire Size | .85 – 1.25 mm ² |
|-----------|----------------------------|



| | |
|------------------|------------------------|
| Wire Size Search | 16 AWG, 17 AWG, 18 AWG |
|------------------|------------------------|

| | |
|--------------------------|-------------------------------|
| Wire Insulation Diameter | 1.8 – 2.1 mm [.071 – .082 in] |
|--------------------------|-------------------------------|

Usage Conditions

| | |
|-------------------|-------------|
| Insulation Option | Uninsulated |
|-------------------|-------------|

| | |
|-----------------------------|--|
| Operating Temperature (Max) | 80 °C, 85 °C, 90 °C, 100 °C, 105 °C [176 °F] [185 °F][194 °F][212 °F][221 °F] |
|-----------------------------|--|

| | |
|-----------------------------|-----------------------------|
| Operating Temperature Range | -30 – 105 °C [-22 – 221 °F] |
|-----------------------------|-----------------------------|

Packaging Features

| | |
|------------------|------|
| Packaging Method | Reel |
|------------------|------|

| | |
|--------------------|------|
| Packaging Quantity | 6000 |
|--------------------|------|

Other

| | |
|--------------------|----------------------|
| Terminal Transmits | 0 – 24 A (Low Power) |
|--------------------|----------------------|

Product Compliance

[For compliance documentation, visit the product page on TE.com>](#)

| | |
|------------------------------|-----------|
| EU RoHS Directive 2011/65/EU | Compliant |
|------------------------------|-----------|

| | |
|-----------------------------|-----------|
| EU ELV Directive 2000/53/EC | Compliant |
|-----------------------------|-----------|

| | |
|---|---|
| China RoHS 2 Directive MIIT Order No 32, 2016 | No Restricted Materials Above Threshold |
|---|---|

| | |
|--|--|
| EU REACH Regulation (EC) No. 1907/2006 | Current ECHA Candidate List: JUNE 2022 (224) Candidate List Declared Against: JAN 2022 (223) SVHC > Threshold: Not Yet Reviewed |
|--|--|

| | |
|-----------------|---|
| Halogen Content | Low Halogen - Br, Cl, F, I < 900 ppm per homogenous material. Also BFR/CFR/PVC Free |
|-----------------|---|

| | |
|---------------------------|--|
| Solder Process Capability | Not applicable for solder process capability |
|---------------------------|--|

Product Compliance Disclaimer

This information is provided based on reasonable inquiry of our suppliers and represents our current actual knowledge based on the information they provided. This information is subject to change. The part numbers that TE has identified as EU RoHS compliant have a maximum concentration of 0.1% by weight in homogenous materials for lead, hexavalent chromium, mercury, PBB, PBDE, DBP, BBP, DEHP, DIBP, and 0.01% for cadmium, or qualify for an exemption to these limits as defined in the Annexes of Directive 2011/65/EU (RoHS2). Finished electrical and electronic equipment products will be CE marked as required by Directive 2011/65/EU. Components may not be CE marked. Additionally, the part numbers that TE has identified as EU ELV compliant have a maximum concentration of 0.1% by weight in homogenous materials for lead, hexavalent chromium, and mercury, and 0.01% for cadmium, or qualify for an exemption to these limits as defined in the Annexes of Directive 2000/53/EC (ELV). Regarding the REACH Regulation, the information TE provides

on SVHC in articles for this part number is based on the latest European Chemicals Agency (ECHA) 'Guidance on requirements for substances in articles' posted at this URL: <https://echa.europa.eu/guidance-documents/guidance-on-reach>

Compatible Parts



TE Part # 2305570-1
TERMINAL CUTTER, SIDE FEED



TE Part # CAT-M9194-CH8172
MULTILOCK, CONNECTOR HOUSING



TE Part # 2-2151178-1
OCEAN_2.0_APPLICATOR-S-080F094F



TE Part # 2-2151178-2
OCEAN_2.0_APPLICATOR-S-080F094FA



TE Part # 2151178-1
OCEAN_2.0_APPLICATOR-S-080F094F



TE Part # 2151178-2
OCEAN_2.0_APPLICATOR-S-080F094FA



TE Part # 7-2151178-1
OCEAN_2.0_APPLICATOR-S-080F094F



TE Part # 7-2151178-2
OCEAN_2.0_APPLICATOR-S-080F094FA




KIT
REPRESENTATION ONLY

TE Part # 7-2151178-7
OCEAN_2.0_SPARE_PART_KIT-080F094F

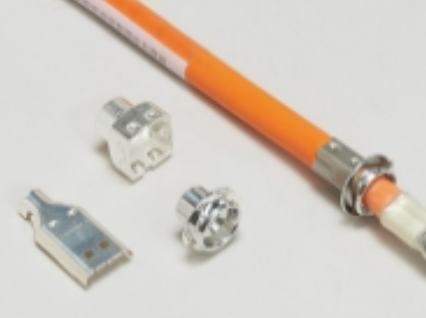


TE Part # 179620-7
AIR BAG PLUG HSG ASSY 22P

Also in the Series | Multilock Connector System




Automotive Connector Caps & Covers (16)



Automotive Connector EMC Shielding (1)



Automotive Connector Locks & Position Assurance(2)



Automotive Housings(575)



Automotive Seals & Cavity Plugs(2)



Automotive Terminals(141)



Insertion & Extraction Tools(6)



Other Automotive Connector Accessories(9)

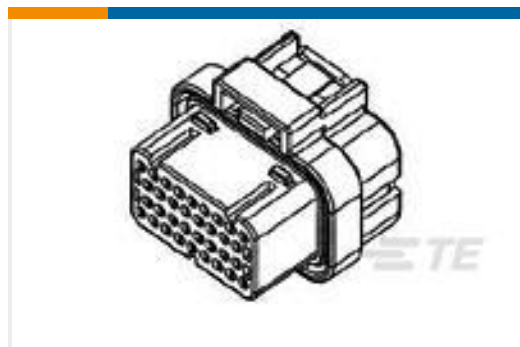


PCB Headers & Receptacles(129)

Customers Also Bought



TE Part #1717676-1
AMPSEAL 16 HOUSINGS



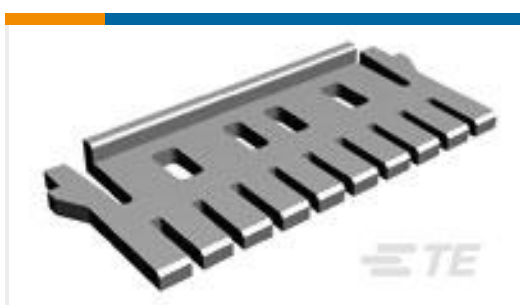
TE Part #8-1447231-2
PLUG HOUSING 24P B KIT



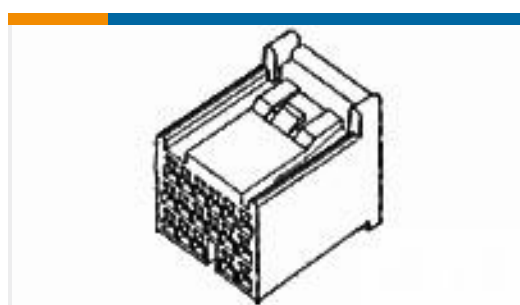
TE Part #1871414-2
AMPSEAL16,CAP ASSY,4P-B,B/R TYPE, RWDS



TE Part #7-1437292-4
939600=939600



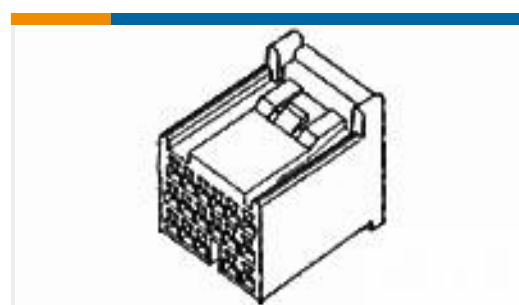
TE Part #172851-1
20P LOCKING DLI DBL LOCK



TE Part #353029-2
040 H DENSITY 3 24P PLUG ASSY



TE Part #1743065-2
MT-II/JPT SLD 36P CAP COVER



TE Part #353031-2
040 H DENSITY 3 31P PLUG ASSY

Documents

Product Drawings

[040 REC \(M\) FOR 100P PMC](#)

English

CAD Files

Customer View Model

[ENG_CVM_175267-2_G1.3d_igs.zip](#)

English

Customer View Model



[ENG_CVM_175267-2_G1.3d_stp.zip](#)

English

Customer View Model

[ENG_CVM_175267-2_G1.2d_dxf.zip](#)

English

3D PDF

English

By downloading the CAD file I accept and agree to the [Terms and Conditions](#) of use.

Datasheets & Catalog Pages

MULTILOCK Connector System

English

Product Specifications

Application Specification

English

Crimping .040II Series Tab and Rec. Contact

English