

184175-1 ✓ ACTIVE

AMP | Sealed Sensor Connector SSC System

TE Internal #: 184175-1

Automotive Connector Locks & Position Assurance, TPA (Terminal Position Assurance), Yellow, Sealed Sensor Connector SSC System

[View on TE.com >](#)



Connectors > Automotive Connectors > Connector Accessories > Locks & Position Assurance



Connector & Contact Retention Accessory Type: **TPA (Terminal Position Assurance)**

Primary Product Color: **Yellow**

Connector System: **Wire-to-Board, Wire-to-Wire**

Primary Product Material: **PBT GF**

Operating Temperature Range: **-40 – 120 °C [ -40 – 248 °F ]**

### Features

#### Product Type Features

|                                              |                                   |
|----------------------------------------------|-----------------------------------|
| Connector & Contact Retention Accessory Type | TPA (Terminal Position Assurance) |
| Connector System                             | Wire-to-Board, Wire-to-Wire       |

#### Body Features

|                          |        |
|--------------------------|--------|
| Primary Product Color    | Yellow |
| Primary Product Material | PBT GF |

#### Usage Conditions

|                             |                               |
|-----------------------------|-------------------------------|
| Operating Temperature Range | -40 – 120 °C [ -40 – 248 °F ] |
|-----------------------------|-------------------------------|

#### Industry Standards

|                        |         |
|------------------------|---------|
| UL Flammability Rating | UL 94HB |
|------------------------|---------|

#### Packaging Features

|                    |         |
|--------------------|---------|
| Packaging Quantity | 1       |
| Packaging Method   | Package |

#### Other

|             |     |
|-------------|-----|
| Serviceable | Yes |
|-------------|-----|

### Product Compliance

[For compliance documentation, visit the product page on TE.com>](#)

|                              |           |
|------------------------------|-----------|
| EU RoHS Directive 2011/65/EU | Compliant |
|------------------------------|-----------|



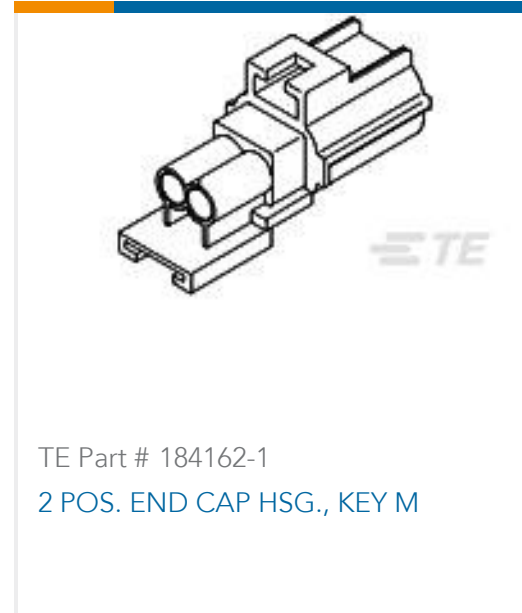
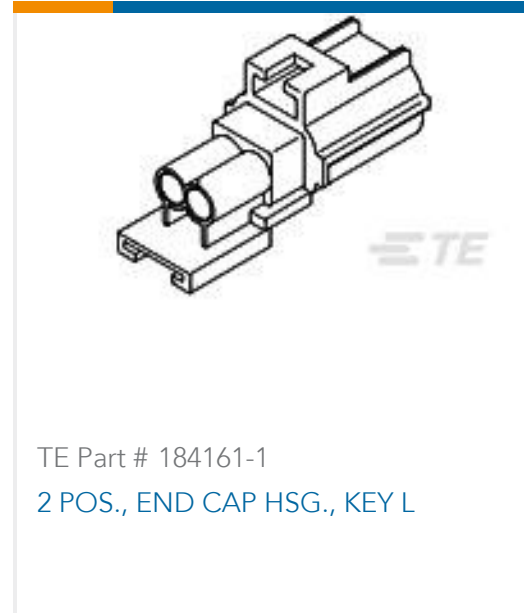
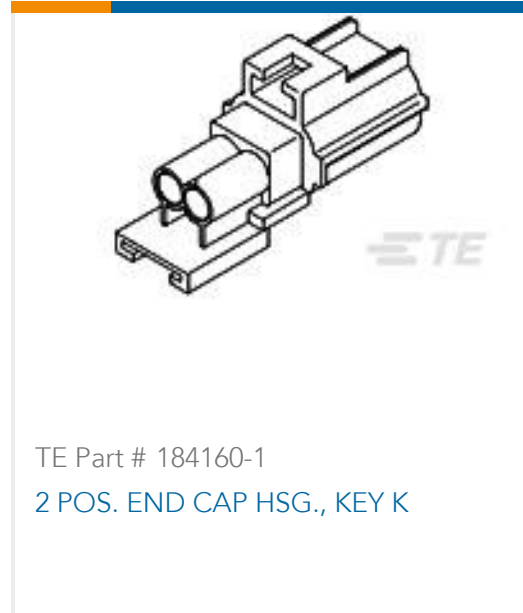
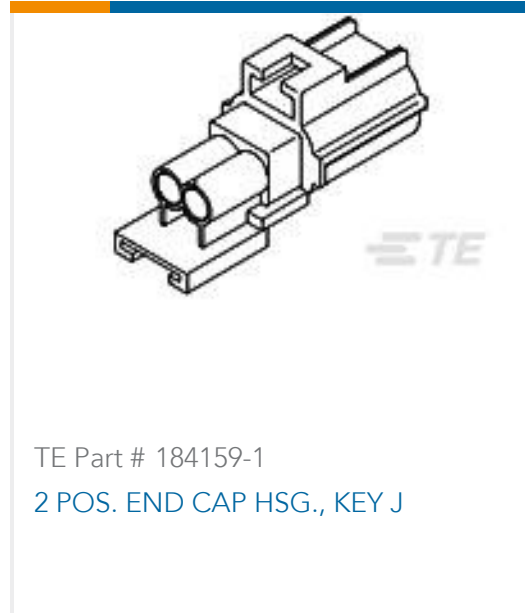
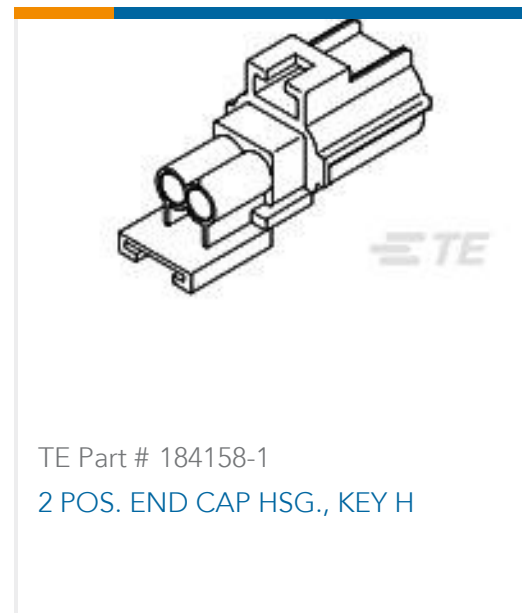
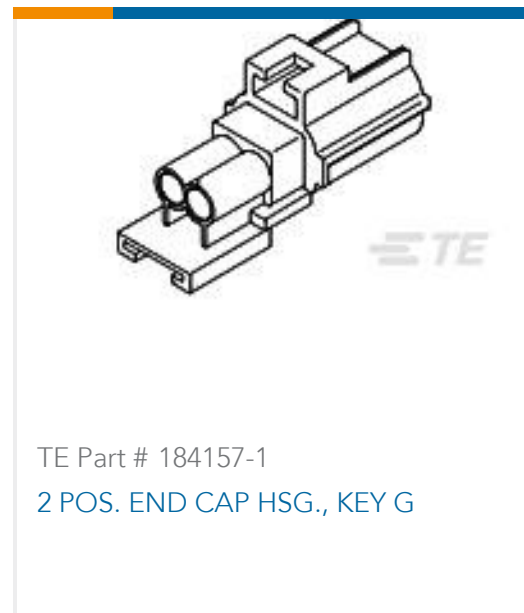
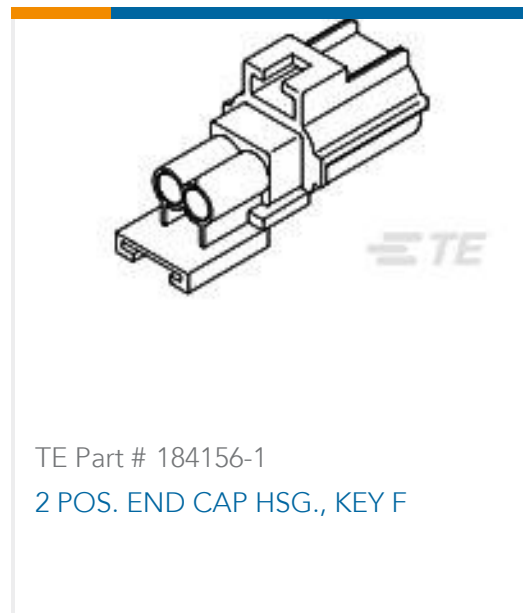
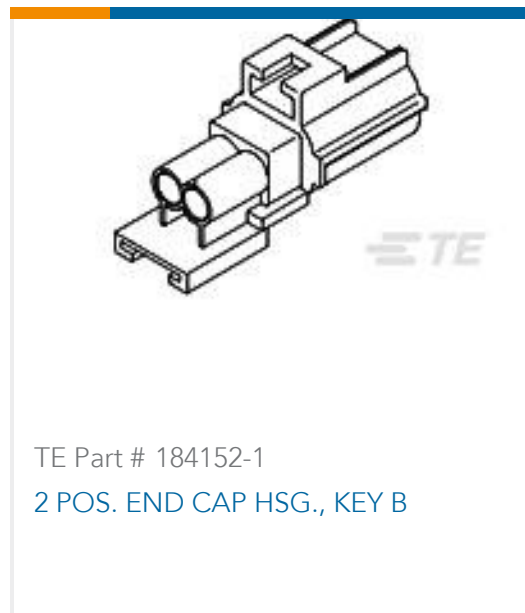
|                                               |                                                                                                                                          |
|-----------------------------------------------|------------------------------------------------------------------------------------------------------------------------------------------|
| EU ELV Directive 2000/53/EC                   | Compliant                                                                                                                                |
| China RoHS 2 Directive MIIT Order No 32, 2016 | No Restricted Materials Above Threshold                                                                                                  |
| EU REACH Regulation (EC) No. 1907/2006        | Current ECHA Candidate List: JUNE 2022 (224)<br>Candidate List Declared Against: JAN 2022 (223)<br>SVHC > Threshold:<br>Not Yet Reviewed |
| Halogen Content                               | Low Halogen - Br, Cl, F, I < 900 ppm per homogenous material. Also BFR/CFR/PVC Free                                                      |
| Solder Process Capability                     | Not reviewed for solder process capability                                                                                               |

Product Compliance Disclaimer

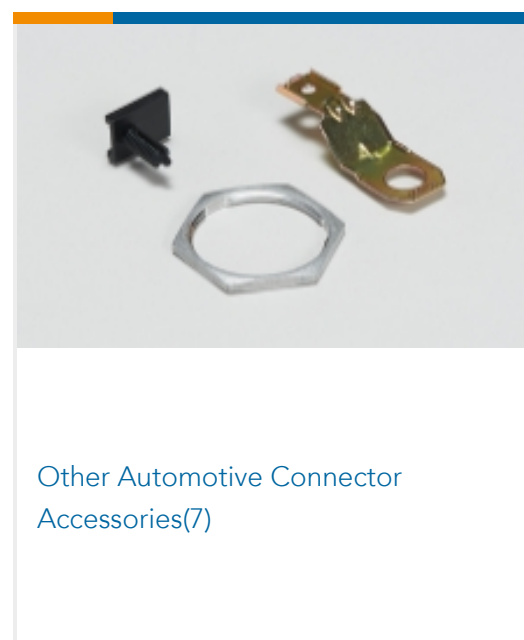
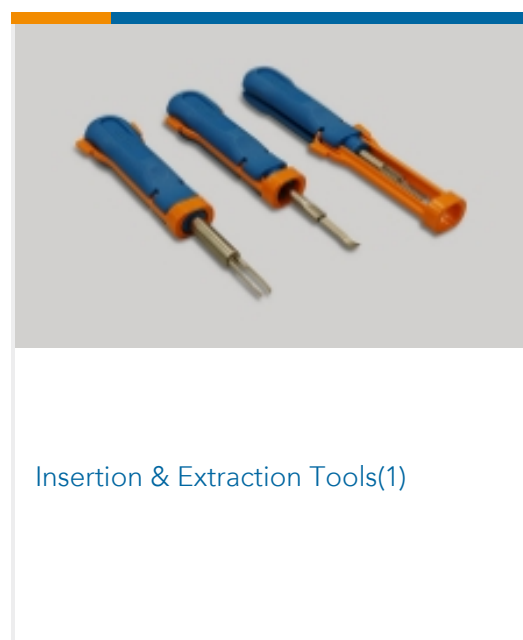
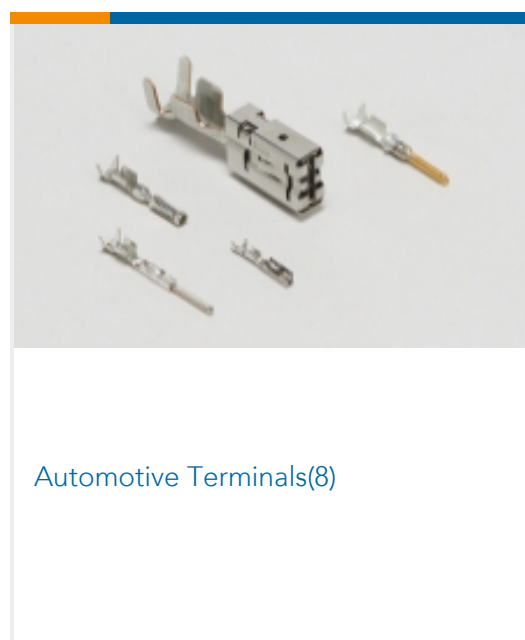
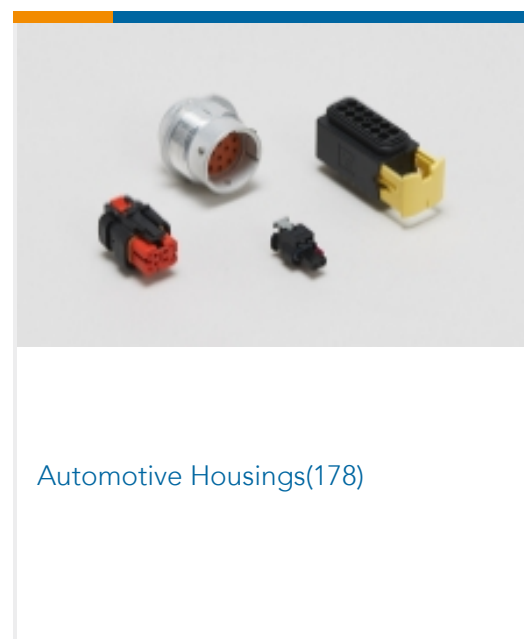
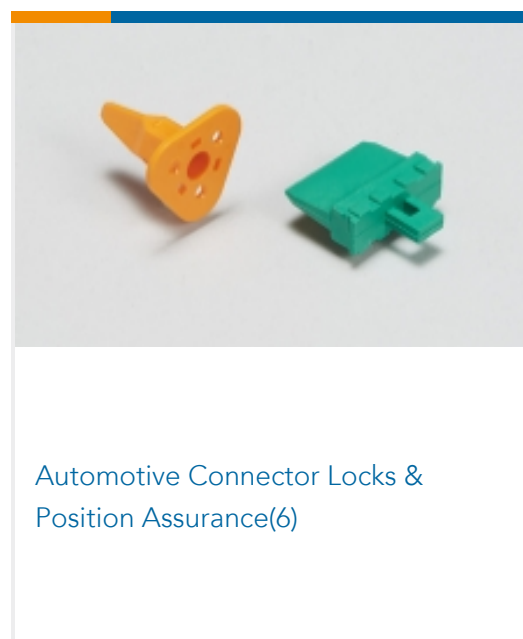
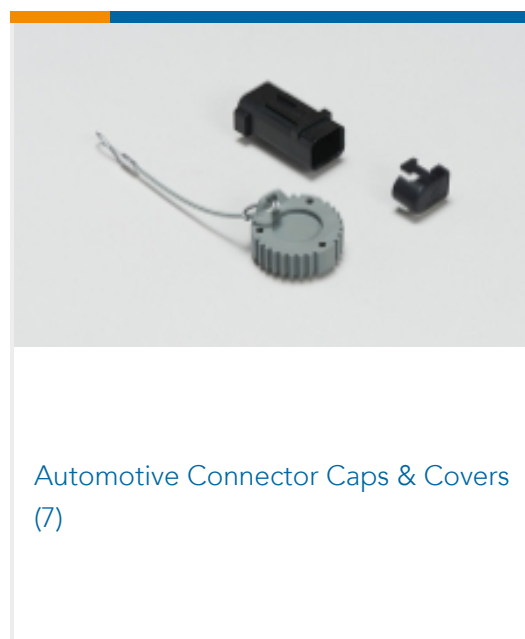
This information is provided based on reasonable inquiry of our suppliers and represents our current actual knowledge based on the information they provided. This information is subject to change. The part numbers that TE has identified as EU RoHS compliant have a maximum concentration of 0.1% by weight in homogenous materials for lead, hexavalent chromium, mercury, PBB, PBDE, DBP, BBP, DEHP, DIBP, and 0.01% for cadmium, or qualify for an exemption to these limits as defined in the Annexes of Directive 2011/65/EU (RoHS2). Finished electrical and electronic equipment products will be CE marked as required by Directive 2011/65/EU. Components may not be CE marked. Additionally, the part numbers that TE has identified as EU ELV compliant have a maximum concentration of 0.1% by weight in homogenous materials for lead, hexavalent chromium, and mercury, and 0.01% for cadmium, or qualify for an exemption to these limits as defined in the Annexes of Directive 2000/53/EC (ELV). Regarding the REACH Regulation, the information TE provides on SVHC in articles for this part number is based on the latest European Chemicals Agency (ECHA) 'Guidance on requirements for substances in articles' posted at this URL: <https://echa.europa.eu/guidance-documents/guidance-on-reach>

## Compatible Parts

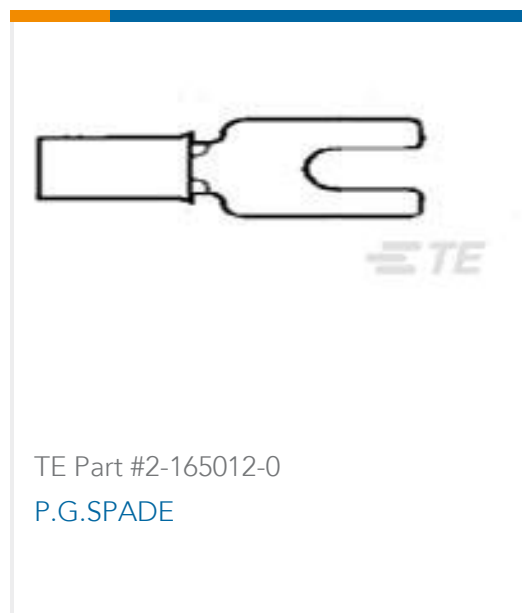
|                                                                                                                                          |                                                                                                                                                  |                                                                                                                                                |                                                                                                                                                |
|------------------------------------------------------------------------------------------------------------------------------------------|--------------------------------------------------------------------------------------------------------------------------------------------------|------------------------------------------------------------------------------------------------------------------------------------------------|------------------------------------------------------------------------------------------------------------------------------------------------|
|  <p>TE Part # 184164-1<br/>2 POS. CAP HSG., KEY B</p> |  <p>TE Part # 184060-1<br/>6 POS./6 CIRC PLUG ASSY, KEY A</p> |  <p>TE Part # 184166-1<br/>2 POS. CAP HSG., KEY D</p>     |  <p>TE Part # 184163-1<br/>2 POS. CAP HSG., KEY A</p>     |
|  <p>TE Part # 184165-1<br/>2 POS. CAP HSG., KEY C</p> |  <p>TE Part # 184002-1<br/>2 POS. PLUG ASSY, KEY B, GRAY</p>  |  <p>TE Part # 184154-1<br/>2 POS. END CAP HSG., KEY D</p> |  <p>TE Part # 184151-1<br/>2 POS. END CAP HSG., KEY A</p> |



## Also in the Series | Sealed Sensor Connector SSC System



## Customers Also Bought



## Documents

### Product Drawings

2 POS. CAP LP

English

### CAD Files

3D PDF

English

Customer View Model

[ENG\\_CVM\\_184175-1\\_B.2d\\_dxf.zip](#)

English

Customer View Model

[ENG\\_CVM\\_184175-1\\_B.3d\\_igs.zip](#)

English

Customer View Model

[ENG\\_CVM\\_184175-1\\_B.3d\\_stp.zip](#)

English

By downloading the CAD file I accept and agree to the [Terms and Conditions](#) of use.

## Product Specifications



## Application Specification

English