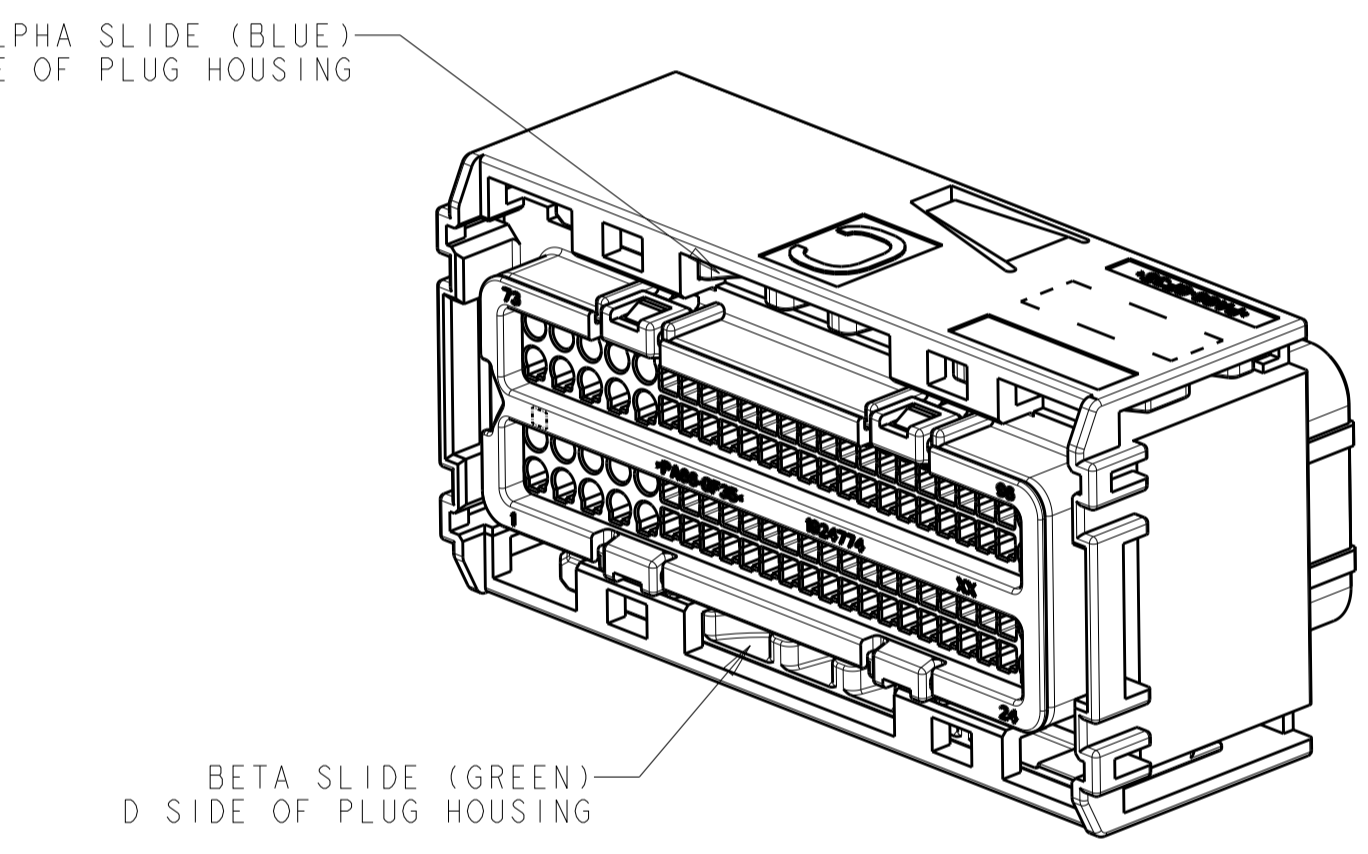
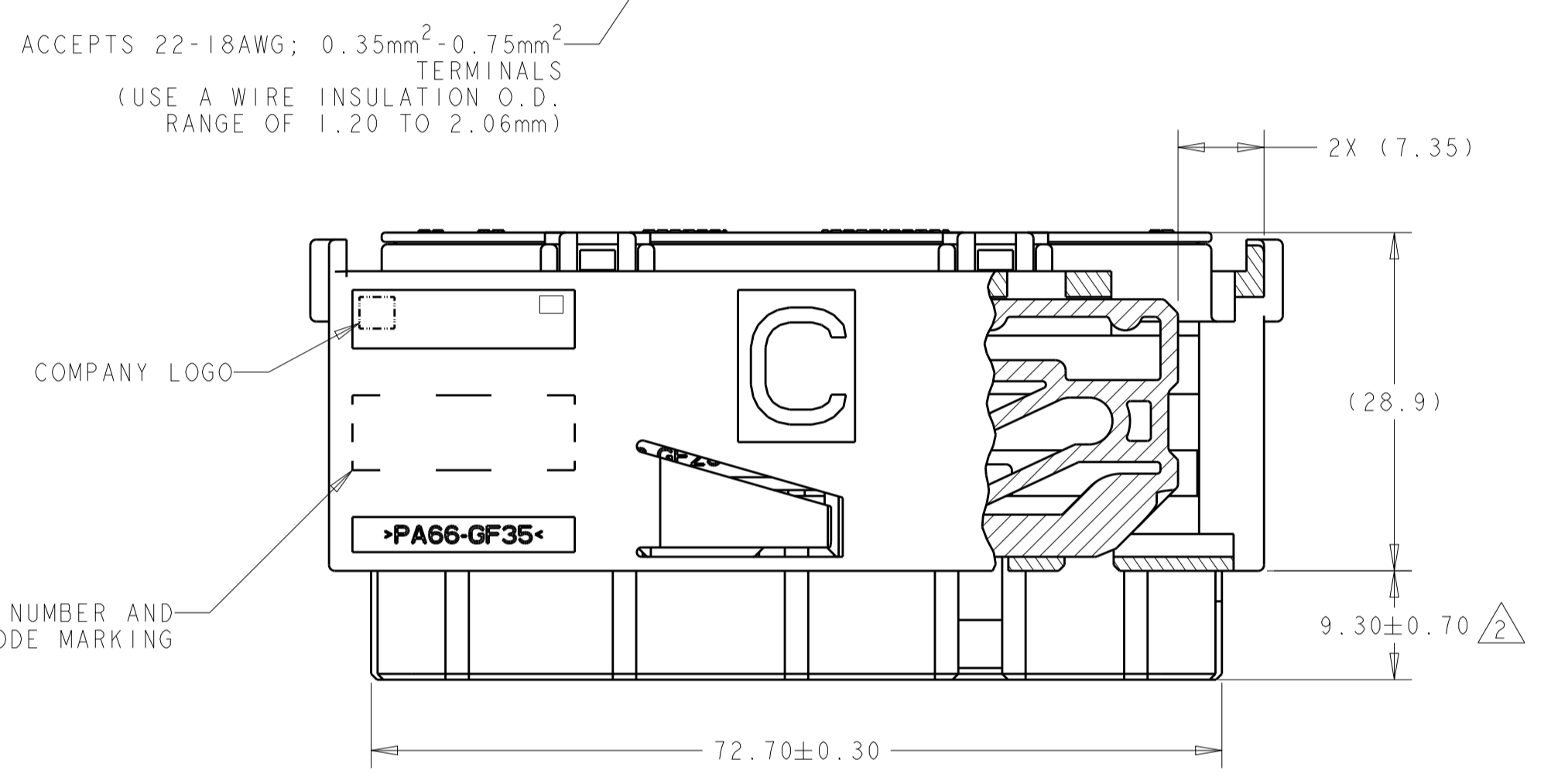
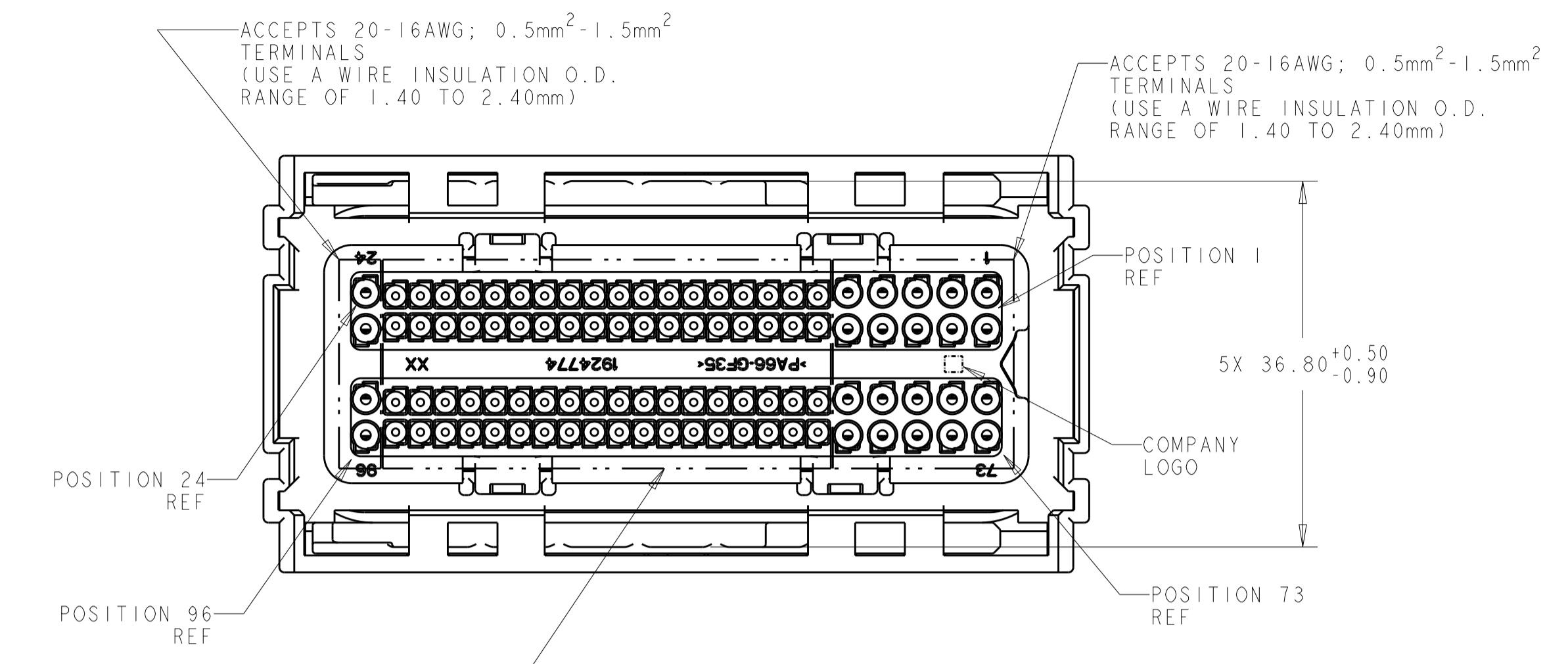
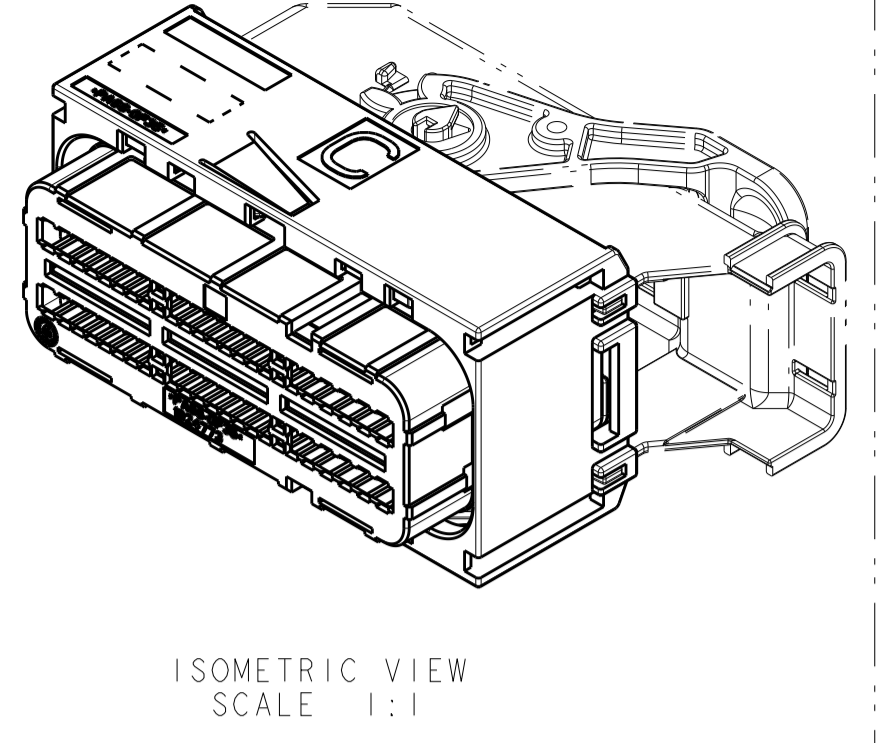
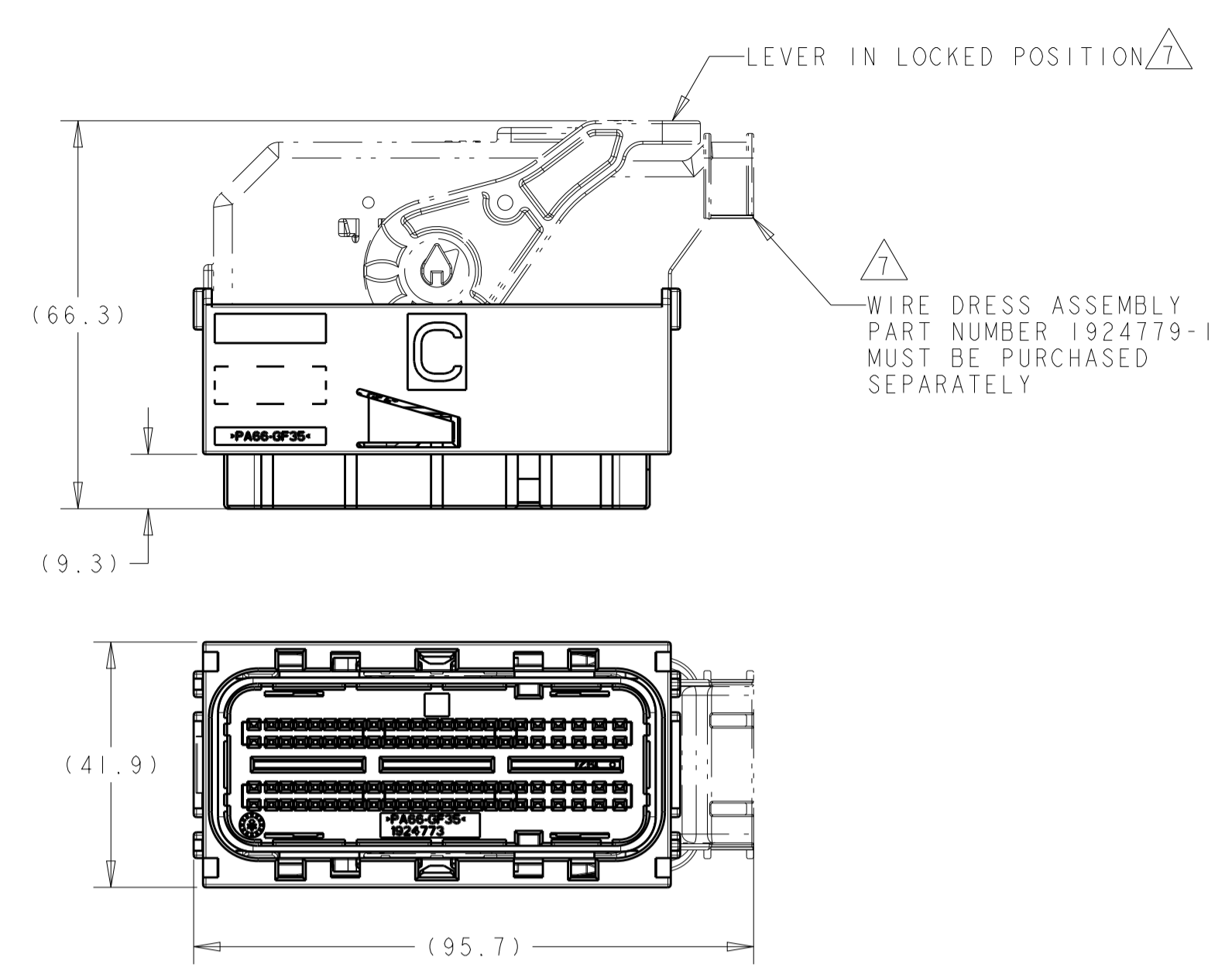
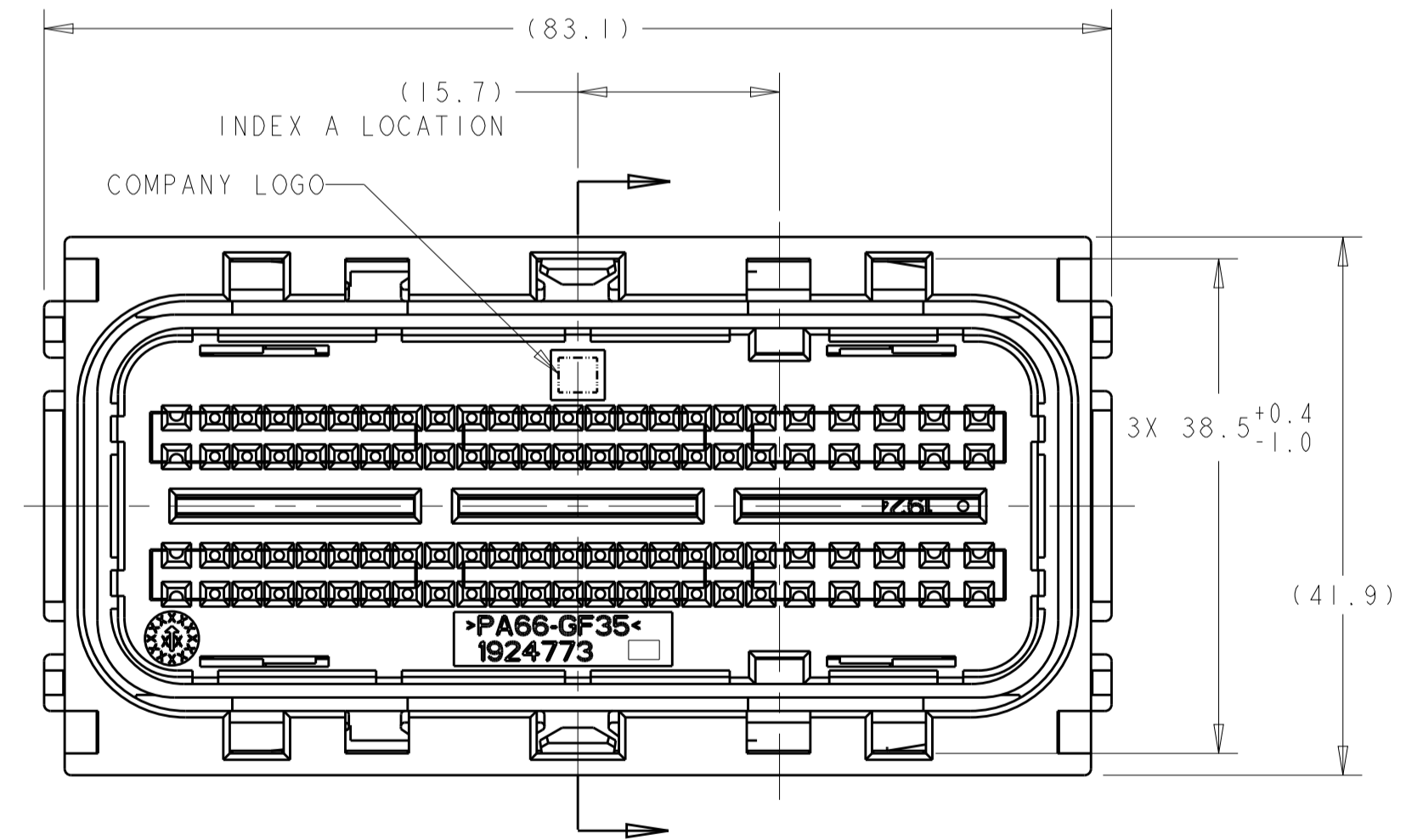
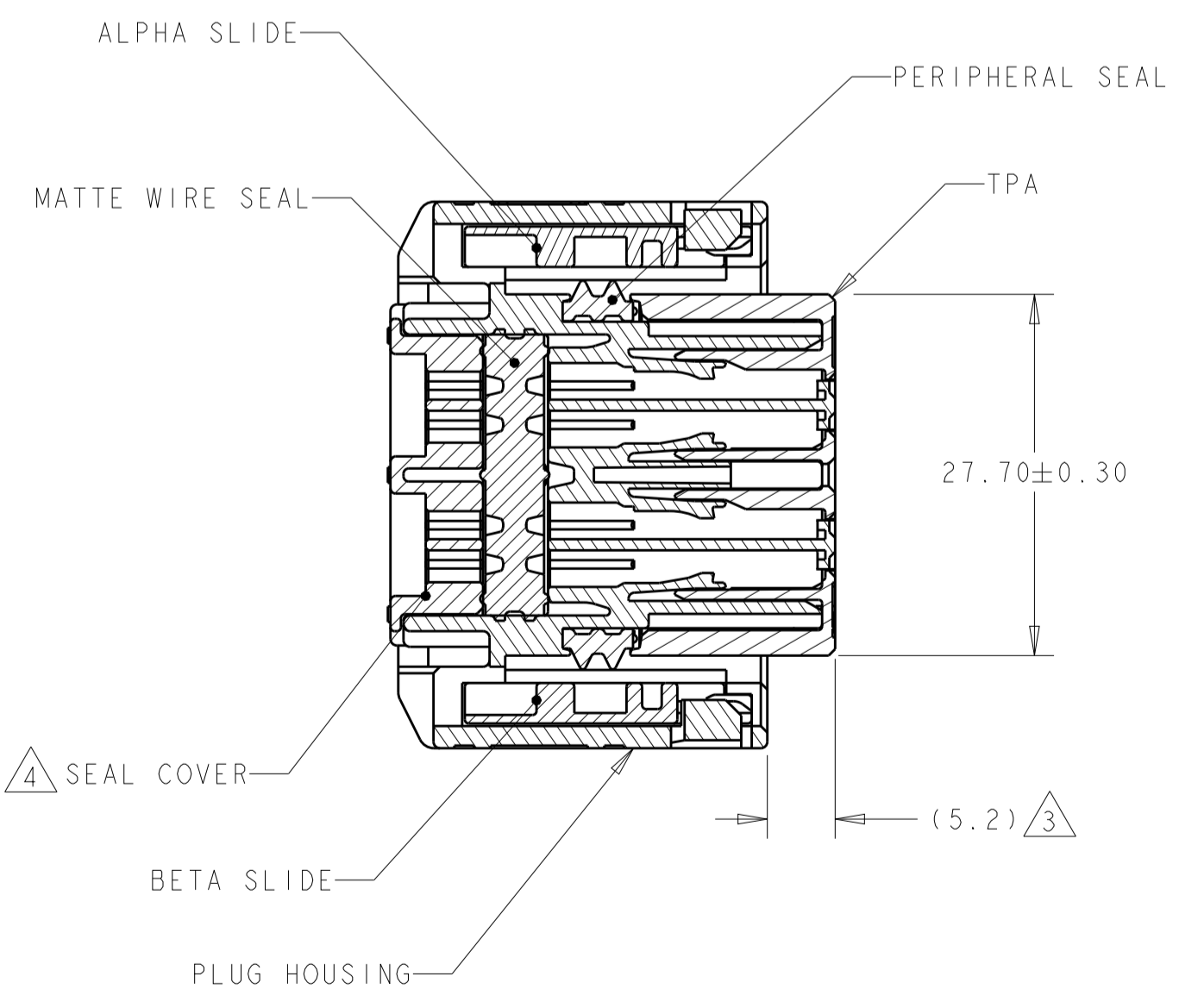


REVISIONS				
P.	LTM	DESCRIPTION	DATE	OWN APVD
C6	REV PER ECO-17-012499		24AUG2017	RGV GK
C7	REV PER ECO-17-013192		07SEP2017	JMS GK
C8	ECO-17-017519		29NOV2017	KP GK
C9	REVISED PER ECO-18-006949		03MAY2018	JMS GK



(METHOD FOR IDENTIFYING EXIT ORIENTATION)



- 1. PLUG HOUSING AND SEAL COVER: NYLON 6/6, BLACK.  
 TPA: NYLON 6/6, COLOR - SEE TABLE.  
 MATTE WIRE SEAL: SILICONE, LIGHT BLUE.  
 PERIPHERAL SEAL: SILICONE, GREEN.  
 ALPHA SLIDE: NYLON 6/6, BLUE.  
 BETA SLIDE: NYLON 6/6, GREEN.
- 2. TPA SHOWN IN PRE-LATCHED, AS SHIPPED, POSITION.
- 3. TPA SHOWN IN CLOSED POSITION.
- 4. SEE TABLE ON SHEET 2 AND 3 FOR SEAL COVER PIN OUT CONFIGURATION.
- 5. PLUG ASSEMBLY MATES WITH TE CONNECTIVITY INTERFACE DRAWING 1924771\_INT, POLARIZATION A.
- 6. PLUG ASSEMBLY WILL ACCEPT THE FOLLOWING GET TERMINAL PART NUMBERS: 1393364-1 (GOLD 22AWG; 0.35mm<sup>2</sup>)  
 1393365-1 (GOLD 18-20AWG; 0.75mm<sup>2</sup>-0.5mm<sup>2</sup>)  
 1924878-1 (TIN/SILVER 22AWG; 0.35mm<sup>2</sup>)  
 1924879-1 (TIN/SILVER 18-20AWG; 0.75mm<sup>2</sup>-0.5mm<sup>2</sup>)  
 1924782-1 (TIN/SILVER 1.0mm<sup>2</sup>)  
 1924880-1 (TIN/SILVER 16AWG; 1.5mm<sup>2</sup>)
- 7. WIRE DRESS ASSEMBLY MUST BE INSTALLED ONTO PLUG ASSEMBLY WITH LEVER IN LOCKED POSITION.
- 8. APPLICATION SPEC'S: 408-10229, 408-10230
- 9. NOTE DELETED.
- 10. FORCE TO SEAT TPA COMPONENT FROM PRE-SET TO LOCKED (FULLY LOADED W/ TERMINALS) TO BE 83N MAX.
- 11. FORCE TO MOVE TPA FROM FULLY LOCKED TO PRE-SET TO BE 115N MAX. FLAT BLADE SCREWDRIVER SUGGESTED FOR REMOVAL OF TPA.

ALL CLOSED	GRAY	A	9-1924939-9
SEE TABLE, SH 3	GRAY	A	7-1924939-0
SEE TABLE, SH 3	GRAY	A	6-1924939-9
SEE TABLE, SH 3	GRAY	A	6-1924939-8
SEE TABLE, SH 3	GRAY	A	6-1924939-7
SEE TABLE, SH 2	GRAY	A	6-1924939-6
SEE TABLE, SH 2	GRAY	A	6-1924939-5
SEE TABLE, SH 2	GRAY	A	6-1924939-4
SEE TABLE, SH 2	GRAY	A	6-1924939-3
SEE TABLE, SH 2	GRAY	A	6-1924939-2
SEE TABLE, SH 2	GRAY	A	6-1924939-1
SEE TABLE, SH 2	GRAY	A	6-1924939-0
SEE TABLE, SH 2	GRAY	A	5-1924939-9
SEE TABLE, SH 2	GRAY	A	5-1924939-8
SEE TABLE, SH 2	GRAY	A	5-1924939-7
SEE TABLE, SH 2	GRAY	A	5-1924939-6
SEE TABLE, SH 2	GRAY	A	5-1924939-5
SEE TABLE, SH 2	GRAY	A	5-1924939-4
SEE TABLE, SH 2	GRAY	A	5-1924939-3
SEE TABLE, SH 2	GRAY	A	5-1924939-2
SEE TABLE, SH 2	GRAY	A	5-1924939-1
SEE TABLE, SH 2	GRAY	A	5-1924939-0
SEE TABLE, SH 2	GRAY	A	4-1924939-9
SEE TABLE, SH 2	GRAY	A	4-1924939-8
SEE TABLE, SH 2	GRAY	A	4-1924939-7
SEE TABLE, SH 2	GRAY	A	4-1924939-6
SEE TABLE, SH 2	GRAY	A	4-1924939-5
SEE TABLE, SH 2	GRAY	A	4-1924939-4
SEE TABLE, SH 2	GRAY	A	4-1924939-3
SEE TABLE, SH 2	GRAY	A	4-1924939-2
SEE TABLE, SH 2	GRAY	A	4-1924939-1
SEE TABLE, SH 2	GRAY	A	4-1924939-0
SEE TABLE, SH 2	GRAY	A	3-1924939-9
SEE TABLE, SH 2	GRAY	A	3-1924939-8
SEE TABLE, SH 2	GRAY	A	3-1924939-7
SEE TABLE, SH 2	GRAY	A	3-1924939-6
SEE TABLE, SH 2	GRAY	A	3-1924939-5
SEE TABLE, SH 2	GRAY	A	3-1924939-4
SEE TABLE, SH 2	GRAY	A	3-1924939-3
SEE TABLE, SH 2	GRAY	A	3-1924939-2
SEE TABLE, SH 2	GRAY	A	3-1924939-1
SEE TABLE, SH 2	GRAY	A	3-1924939-0
SEE TABLE, SH 2	GRAY	A	2-1924939-9
SEE TABLE, SH 2	GRAY	A	2-1924939-8
SEE TABLE, SH 2	GRAY	A	2-1924939-7
SEE TABLE, SH 2	GRAY	A	2-1924939-6
SEE TABLE, SH 2	GRAY	A	2-1924939-5
SEE TABLE, SH 2	GRAY	A	2-1924939-4
SEE TABLE, SH 2	GRAY	A	2-1924939-3
SEE TABLE, SH 2	GRAY	A	2-1924939-2
SEE TABLE, SH 2	GRAY	A	2-1924939-1
SEE TABLE, SH 2	GRAY	A	2-1924939-0
SEE TABLE, SH 2	GRAY	A	1-1924939-9
SEE TABLE, SH 2	GRAY	A	1-1924939-8
SEE TABLE, SH 2	GRAY	A	1-1924939-7
SEE TABLE, SH 2	GRAY	A	1-1924939-6
SEE TABLE, SH 2	GRAY	A	1-1924939-5
SEE TABLE, SH 2	GRAY	A	1-1924939-4
SEE TABLE, SH 2	GRAY	A	1-1924939-3
SEE TABLE, SH 2	GRAY	A	1-1924939-2
SEE TABLE, SH 2	GRAY	A	1-1924939-1
SEE TABLE, SH 2	GRAY	A	1-1924939-0
SEE TABLE, SH 2	GRAY	A	1924939-9
SEE TABLE, SH 2	GRAY	A	1924939-8
SEE TABLE, SH 2	GRAY	A	1924939-7
SEE TABLE, SH 2	GRAY	A	1924939-6
SEE TABLE, SH 2	GRAY	A	1924939-5
SEE TABLE, SH 2	GRAY	A	1924939-4
SEE TABLE, SH 2	GRAY	A	1924939-3
SEE TABLE, SH 2	GRAY	A	1924939-2
SEE TABLE, SH 2	GRAY	A	1924939-1
SEE TABLE, SH 2	GRAY	A	1924939-0
ALL OPEN	GRAY	A	1924939-1
BLOCKED CIRCUITS	TPA COLOR	INDEX REF	PART NUMBER

THIS DRAWING IS A CONTROLLED DOCUMENT.

OWN: DJ HARDY 29NOV2007  
 CHK: AJ VASBINDER 03DEC2007  
 APVD: AJ VASBINDER 03DEC2007

DIMENSIONS: mm

TOLERANCES UNLESS OTHERWISE SPECIFIED:

0 PLC	±
1 PLC	±0.25
2 PLC	±
3 PLC	±
4 PLC	±

ANGLES: FINISH

MATERIAL: FINISH

WEIGHT: CUSTOMER DRAWING

SCALE: 2:1 SHEET 1 OF 3 REV C9

TE Connectivity

NAME: PLUG ASSEMBLY, 96 POSITION, INDEX A - RIGHT EXIT, SEALED, GPEC II

SIZE: A100779 C=1924939

REVISIONS table with columns: P, LTR, DESCRIPTION, DATE, DWN, APVD. Includes revision 1: SEE SHEET 1.

Main pin out configuration table with columns for vehicle/platform/application, pin numbers (1-96), and terminal positions (1-96).

CAVITIES WITH A NUMERIC SYMBOL INDICATE CLOSED TERMINAL HOLE POSITIONS. BLANK CAVITIES INDICATE OPEN TERMINAL HOLE POSITIONS.

PIN OUT CONFIGURATION TABLE

Technical drawing header containing dimensions, tolerances, material, finish, weight, and customer drawing information. Includes STC logo and product details.

