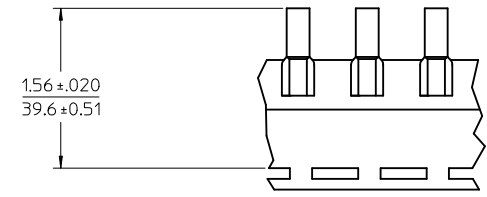
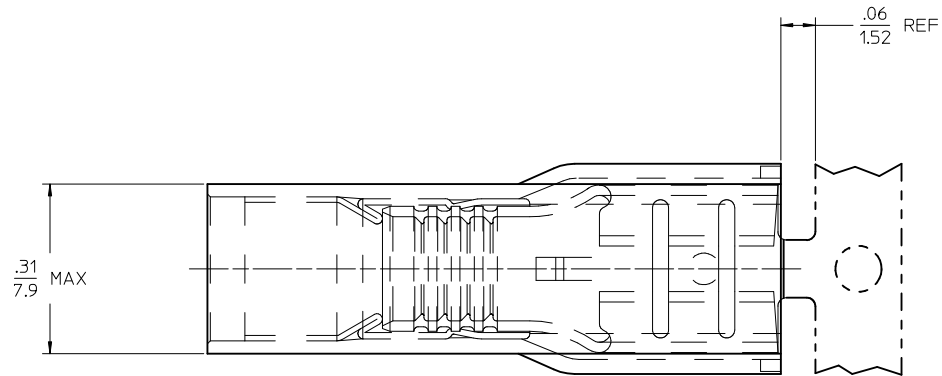


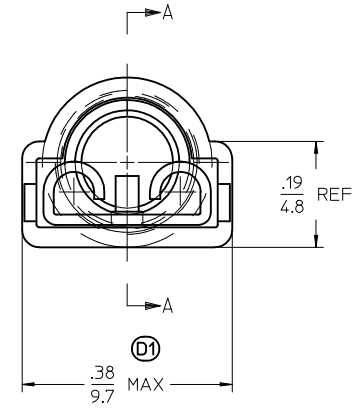
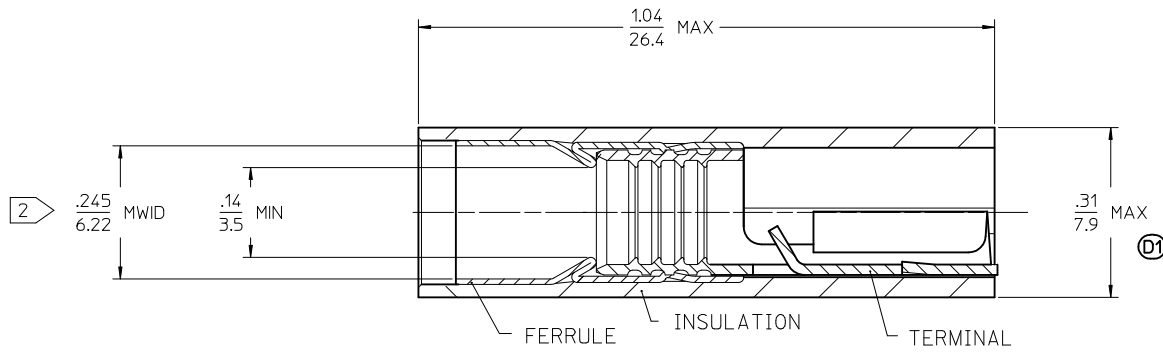
13	12	11	10	9	8	7	6	5	4	3	2	1
MATERIAL NUMBER LOOSE PCS	ENGINEERING NUMBER LOOSE PCS	MATERIAL NUMBER ON STRIP	ENGINEERING NUMBER ON STRIP	MATERIAL NUMBER ON TAPE	ENGINEERING NUMBER ON TAPE	WIRE SIZE	ACCEPTS TAB SIZE					
190020044	C-5265	190020046	C-5265Z	190020045	C-5265T	12-10 AWG /2.7-6.6 mm ²	.250 X.032 /6.35 X 0.81					

Ⓛ1

Ⓛ1



PARTS ON TAPE



SALES DRAWING

NOTES:

- MATERIAL: TERMINAL BRASS .018/0.46 THK REF.
TERMINAL PLATING: ELECTRO TIN
FERRULE: BRASS
FERRULE PLATING: ELECTRO TIN
INSULATION: NYLON 94V2 COLOR YELLOW.
- MVID = MAXIMUM WIRE INSULATION DIAMETER
- PART IS RoHS COMPLIANT

ADD DIMS. RMV 19606 EC NO: MNA2011-0458 DRAWN:THRODAHL 2011/03/08 CHKD:JMACNEIL 2011/03/08 APPR:JMACNEIL 2011/07/05	QUALITY SYMBOLS ▽=0 ▽=0	GENERAL TOLERANCES (UNLESS SPECIFIED)		DIMENSION STYLE IN/MM	SCALE ---	DESIGN UNITS INCH	THIRD ANGLE PROJECTION
		4 PLACES ± --- ± ---	3 PLACES ± --- ± .005	2 PLACES ± 0.13 ± .01	1 PLACE ± 0.25 ± ---	DRAWN BY BENDERLE	DATE 2005/04/15
D1	REV	ANGULAR ±1/2°		APPROVED BY R DEROSS		DATE 2005/04/15	
		DRAFT WHERE APPLICABLE MUST REMAIN WITHIN DIMENSIONS		MATERIAL NO. SEE CHART		DOCUMENT NO. SD-19002-005	