

**PLEASE CHECK WWW.MOLEX.COM FOR LATEST PART INFORMATION**

**Part Number:** [0019091099](#)  
**Status:** **Active**  
**Overview:** Standard .093" Pin and Socket Connectors  
**Description:** 2.36mm Diameter Standard .093" Pin and Socket Receptacle Housing with Positive Latch, UL 94V-2, 9 Circuits

**Documents:**

<a href="#">3D Model</a>	<a href="#">Product Specification PS-3191-001-001 (PDF)</a>
<a href="#">Drawing (PDF)</a>	<a href="#">Packaging Specification 31910001-PK-000 (PDF)</a>
<a href="#">3D Model (PDF)</a>	<a href="#">RoHS Certificate of Compliance (PDF)</a>

**Agency Certification**

CSA	LR19980
UL	E29179

**General**

Product Family	Crimp Housings
Series	<a href="#">3191</a>
Application	Power, Wire-to-Board, Wire-to-Wire
Comments	Polarized to Mating Part
Overview	<a href="#">Standard .093" Pin and Socket Connectors</a>
Product Name	Standard .093"
UPC	800753594531

**Physical**

Breakaway	No
Circuits (maximum)	9
Circuits Detail	3x3
Color - Resin	Natural
Flammability	94V-2
Gender	Receptacle
Glow-Wire Capable	No
Keying to Mating Part	None
Lock to Mating Part	Yes
Material - Resin	Nylon
Net Weight	6.770/g
Number of Rows	3
Packaging Type	Bag
Panel Mount	No
Pitch - Mating Interface	6.70mm
Polarized to Mating Part	Yes
Stackable	No
Temperature Range - Operating	-40° to +105°C

**Electrical**

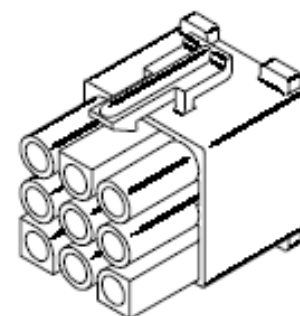
Current - Maximum per Contact	9.0A
-------------------------------	------

**Material Info**

Engineering Number	3191-9R1
--------------------	----------

**Reference - Drawing Numbers**

Packaging Specification	31910001-PK-000
Product Specification	PS-3191-001-001
Sales Drawing	31910900-SD-000



Series image - Reference only

**EU ELV**

**Not Relevant**

**EU RoHS**

**Compliant**

**REACH SVHC**

Not Contained Per -  
D(2020)4578-DC (25  
June 2020)

**Halogen-Free**

**Status**

**Low-Halogen**

For more information, please visit [Contact US](#)

China ROHS

ELV

RoHS Phthalates

**China RoHS**

Green Image

Not Relevant

Not Contained

**Search Parts in this Series**

[3191](#) Series

**Mates With**

[19092096](#) , [19092097](#) , [19092098](#) ,  
[19092099](#) , [5219](#)

**Use With**

Female Crimp Terminals [1189](#) , [1381](#) , [1433](#)  
, [2151](#) , [2273](#) , [2871](#) , Male Crimp Terminals  
[1190](#) , [1380](#) , [1434](#) , [1973](#) , [2870](#) , [4272](#) ,  
Female PC Tail Terminals [2605](#) , Male PC  
Tail Terminals [2606](#)

**PLEASE CHECK [WWW.MOLEX.COM](http://WWW.MOLEX.COM) FOR LATEST PART INFORMATION**