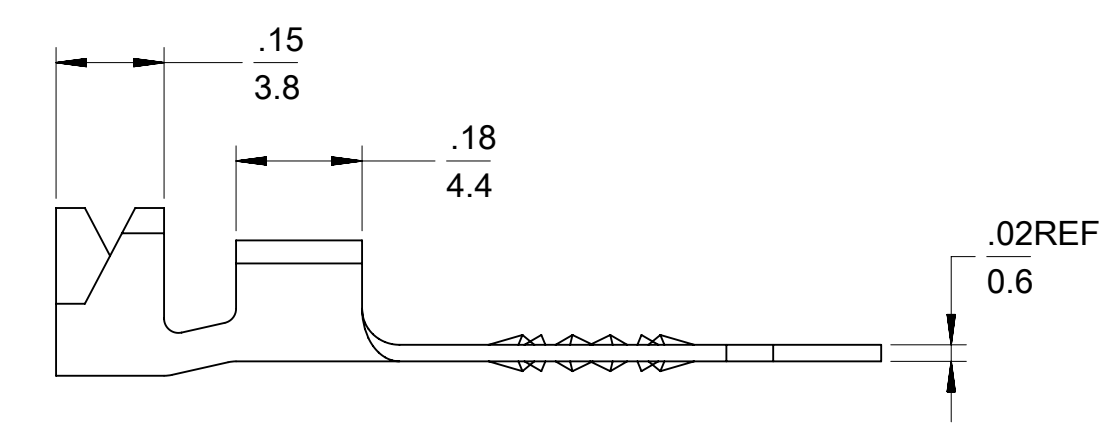
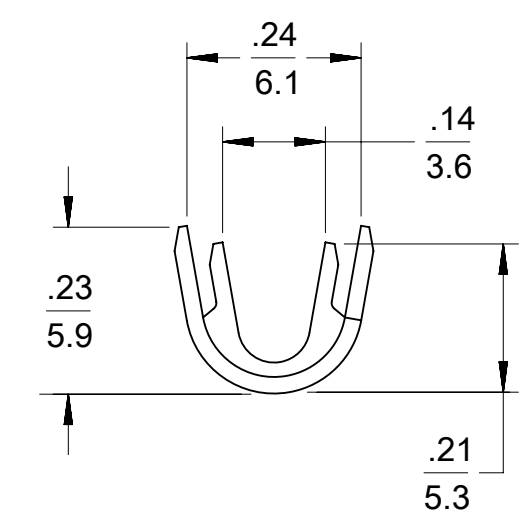
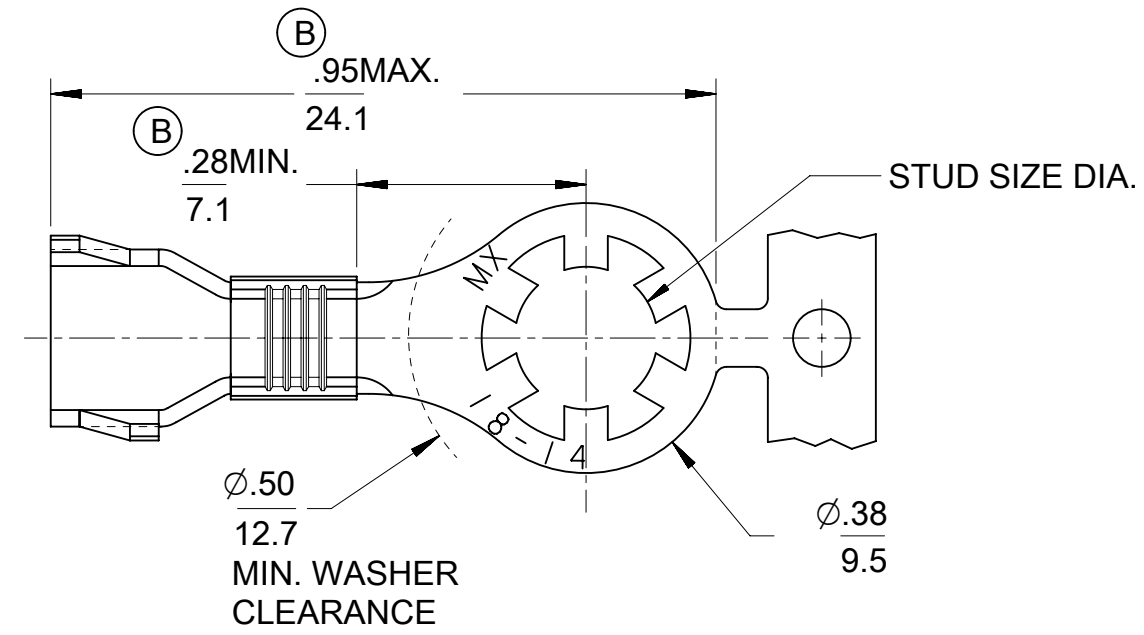


MATERIAL NO.	ENG. NO.	STUD SIZE	"S"±.003	MATERIAL	PLATING
190840004	SRZ-4129-06	6	.146/3.71	BRASS	NONE
190840005	SRZ-4129-08	8	.173/4.39		
190840006	SRZ-4129-10	10	.198/5.03		
190840007	SRZ-S-4129-06	6	.146/3.71	STEEL	TIN
190840008	SRZ-S-4129-08	8	.173/4.39		
190840009	SRZ-S-4129-10	10	.198/5.03		



SALES DRAWING

NOTE(S):
 1. WIRE: SIZE: 18-14 AWG
 0.7 - 2.6 MM²

THIS DRAWING CONTAINS INFORMATION THAT IS PROPRIETARY TO MOLEX ELECTRONIC TECHNOLOGIES, LLC AND SHOULD NOT BE USED WITHOUT WRITTEN PERMISSION											
DIMENSION UNITS		SCALE		CURRENT REV DESC: OBSOLETED PART NUMBERS						molex	
IN/MM		NTS									
GENERAL TOLERANCES (UNLESS SPECIFIED)				EC NO: 632260		DRWN: AKUMAR19		2020/01/29		OPEN BARREL STRIP	
				CHK'D: GGA		2020/02/28				STAR RING, VIBRAKRIMP 18-14 AWG	
				APPR: GGA		2020/02/28				PRODUCT CUSTOMER DRAWING	
				INITIAL REVISION:		DRWN: JHACKNEY		1995/05/05		DOCUMENT NUMBER	
				APPR: RDEROSS		1995/05/05				SD-19084-001	
				THIRD ANGLE PROJECTION		DRAWING		SERIES		MATERIAL NUMBER	
				B-SIZE		19084		SEE TABLE		CUSTOMER	
				GENERAL MARKET		SHEET NUMBER				1 OF 1	

DOCUMENT STATUS	P1	RELEASE DATE	2020/02/28	02:39:03
-----------------	----	--------------	------------	----------