

175193-1 ✓ ACTIVE



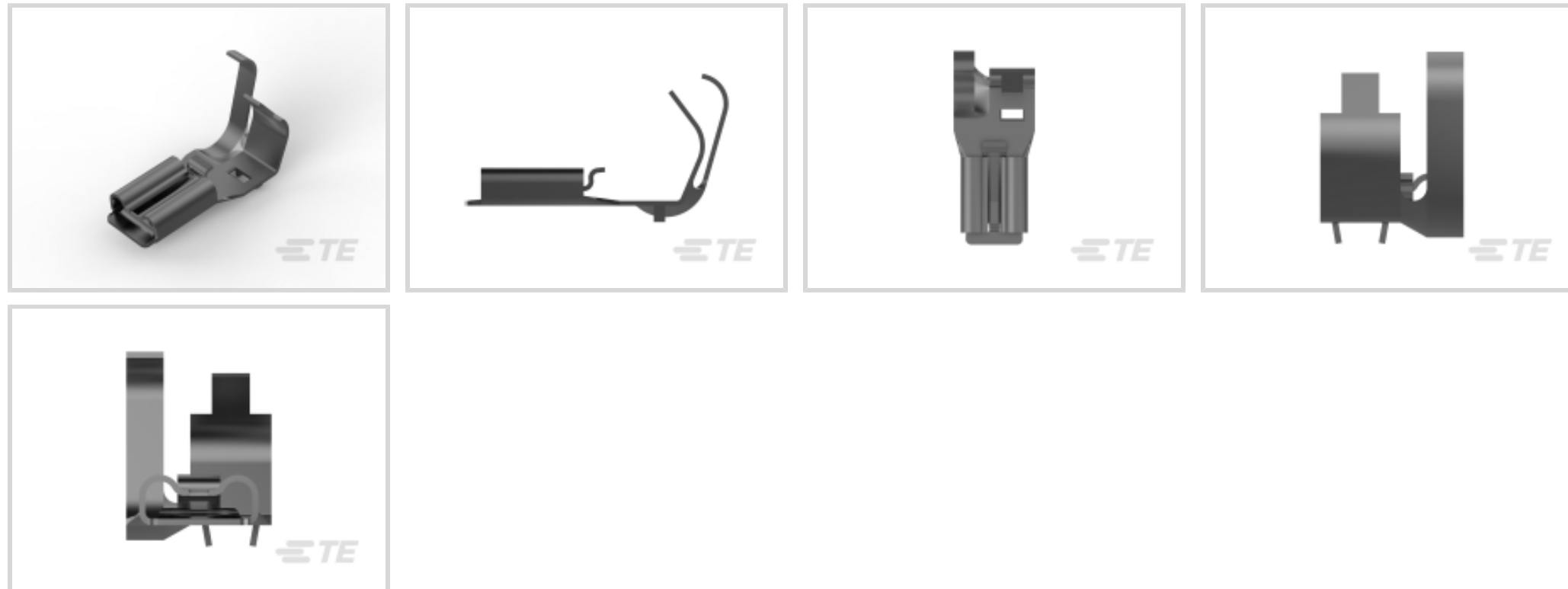
[Positive Lock](#) | [Positive Lock 187](#)

TE Internal #: 175193-1

Quick Disconnects, Receptacle, 22 – 16 AWG Wire Size, .32 – 1.31 mm<sup>2</sup> Wire Size, Mating Tab Width .187 in [4.75 mm], Flag, Brass, Positive Lock 187

[View on TE.com >](#)

Terminals & Splices > Quick Disconnects



Quick Disconnect Terminal Type: **Receptacle**

Wire Size: .32 – 1.31 mm<sup>2</sup>

Mating Tab Width: 4.75 mm [.187 in ]

Mating Tab Thickness: .81 mm [.032 in ]

## Features

### Product Type Features

Terminates To	Wire & Cable
Wire Stop	No
Wire/Cable Type	Regular Wire
Sealable	No

### Configuration Features

Connection Capacity	Single
---------------------	--------

### Electrical Characteristics

Voltage (Max)	250 V
---------------	-------

### Contact Features

Quick Disconnect Terminal Type	Receptacle
Mating Tab Width	4.75 mm [.187 in]
Mating Tab Thickness	.81 mm [.032 in]
Terminal Orientation	Flag
Contact Base Material	Brass



Terminal Plating Material	Pre-Tin
---------------------------	---------

Crimp Type	F-Crimp
------------	---------

Barrel Type	Open
-------------	------

### Mechanical Attachment

Wire Insulation Support	With
-------------------------	------

### Dimensions

Accepts Wire Insulation Diameter Range	1.5 – 4.32 mm [.059 – .17 in]
--	-------------------------------

Overall Length	15.9 mm [.625 in]
----------------	-------------------

Receptacle Terminal Stock Thickness	.3 mm [.012 in]
-------------------------------------	-----------------

Wire Size	.32 – 1.31 mm <sup>2</sup>
-----------	----------------------------

### Usage Conditions

Insulation Option	Fully Insulated
-------------------	-----------------

Operating Temperature Range	-40 – 110 °C [-40 – 230 °F]
-----------------------------	-----------------------------

### Packaging Features

Packaging Quantity	4000
--------------------	------

Packaging Method	Strip/Reel
------------------	------------

### Product Compliance

[For compliance documentation, visit the product page on TE.com>](#)

EU RoHS Directive 2011/65/EU	Compliant
------------------------------	-----------

EU ELV Directive 2000/53/EC	Compliant
-----------------------------	-----------

China RoHS 2 Directive MIIT Order No 32, 2016	No Restricted Materials Above Threshold
---	---

EU REACH Regulation (EC) No. 1907/2006	Current ECHA Candidate List: JUNE 2022 (224) Candidate List Declared Against: JAN 2022 (223) SVHC > Threshold: Not Yet Reviewed
--	--

Halogen Content	Low Halogen - Br, Cl, F, I < 900 ppm per homogenous material. Also BFR/CFR/PVC Free
-----------------	---

Solder Process Capability	Not reviewed for solder process capability
---------------------------	--

#### Product Compliance Disclaimer

This information is provided based on reasonable inquiry of our suppliers and represents our current actual knowledge based on the information they provided. This information is subject to change. The part numbers that TE has identified as EU RoHS compliant have a maximum concentration of 0.1% by weight in homogenous materials for lead, hexavalent

chromium, mercury, PBB, PBDE, DBP, BBP, DEHP, DIBP, and 0.01% for cadmium, or qualify for an exemption to these limits as defined in the Annexes of Directive 2011/65/EU (RoHS2). Finished electrical and electronic equipment products will be CE marked as required by Directive 2011/65/EU. Components may not be CE marked. Additionally, the part numbers that TE has identified as EU ELV compliant have a maximum concentration of 0.1% by weight in homogenous materials for lead, hexavalent chromium, and mercury, and 0.01% for cadmium, or qualify for an exemption to these limits as defined in the Annexes of Directive 2000/53/EC (ELV). Regarding the REACH Regulation, the information TE provides on SVHC in articles for this part number is based on the latest European Chemicals Agency (ECHA) 'Guidance on requirements for substances in articles' posted at this URL: <https://echa.europa.eu/guidance-documents/guidance-on-reach>

## Compatible Parts

TE Part # 2232342-1  
187 PL EX FLAG REC. 22-16AWG PTBR

TE Part # 1717269-1  
PL EX 187 INSULATED FLAG REC PVC V-0

TE Part # 1717269-2  
PL EX 187 INSULATED FLAG REC PVC V-0

TE Part # 1743058-1  
PL 187 REC 22-16 AWG 0.3 X 22.8 PTBR

TE Part # 1743221-1  
250 PL EX FLAG REC. 18-12AWG PTBR

TE Part # 1855129-2  
HDM w/FA EMHBPR140TAB1400 K

TE Part # 1855129-3  
HDM w/FA EMHBPR140TAB1400 G

TE Part # 567405-1  
M HB EMPO140T1400 T 175019

TE Part # 567405-2  
HDM HB 9EMPR140T1400 K

TE Part # 567405-3  
HDM\*HB\* 9EMPR140T1400 G

TE Part # 567405-4  
HDMHB 9EAPR140T1400 G

TE Part # 1855129-1  
HDM w/FA EMHBPO140TAB1400 LM

## Also in the Series | Positive Lock 187

Crimp Terminal Housings(87)

Insertion & Extraction Tools(2)

Insulation Boots & Sleeves(7)

Quick Disconnects(56)

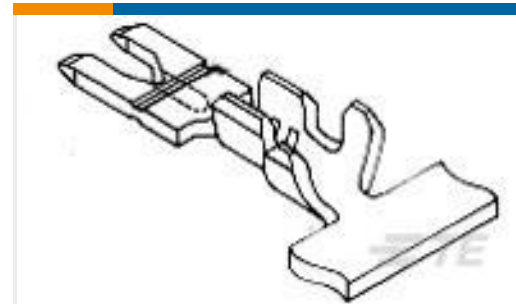
## Customers Also Bought



TE Part #292303-5  
Std USB Type A, R/A, T/H, Natural



TE Part #1721261-5  
OJE-SS-112LMH2



TE Part #964290-1  
POKE-IN FLA-STECKER



TE Part #1394759-1  
MAG MATE CONT.MKII



TE Part #964339-1  
MAG MATE KONT. MKII



TE Part #1599107-1  
CLUSTER TERMINAL REC.,090 DIA



TE Part #1217133-4  
187 FASTON,PCB TAB,TNBR



TE Part #9-829327-4  
ID POKE IN TAB CONN.3P

## Documents

### Product Drawings

[187 PL EX FLAG REC. 22-16AWG PTBR](#)

English

### CAD Files

[3D PDF](#)

3D

Customer View Model

[ENG\\_CVM\\_CVM\\_175193-1\\_D\\_c-175193-1-d.2d\\_dxf.zip](#)

English

Customer View Model

[ENG\\_CVM\\_CVM\\_175193-1\\_D\\_c-175193-1-d.3d\\_igs.zip](#)

English

Customer View Model

[ENG\\_CVM\\_CVM\\_175193-1\\_D\\_c-175193-1-d.3d\\_stp.zip](#)

English

By downloading the CAD file I accept and agree to the [Terms and Conditions](#) of use.

### Product Specifications

[Application Specification](#)

Japanese

[Crimping "187" Series Flag Type Positive Lock EX Contact](#)

Japanese

### Product Environmental Compliance

[MD\\_175193-1\\_1022201827\\_dmtec](#)

175193-1

Quick Disconnects, Receptacle, 22 – 16 AWG Wire Size, .32 – 1.31 mm<sup>2</sup> Wire Size,  
Mating Tab Width .187 in [4.75 mm], Flag, Brass, Positive Lock 187



English

[MD\\_175193-1\\_1022201827\\_dmtec](#)

English