

175030-2 ✓ ACTIVE

AMP | Multilock Connector System

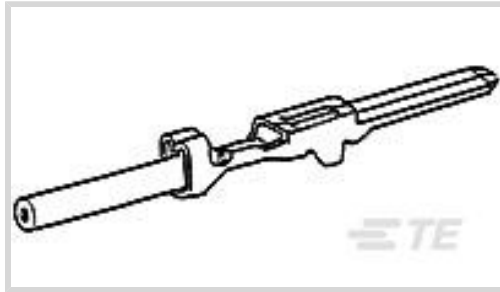
TE Internal #: 175030-2

Automotive Terminals, Tab, Mating Tab Width 1.8 mm [.071 in], Tab Thickness .025 in [.64 mm], 20 – 16 AWG Wire Size, Multilock Connector System

[View on TE.com >](#)



Terminals & Splices > Automotive Terminals > MULTILOCK, RECEPTACLE AND TAB



Terminal Type: **Tab**

Mating Tab Width: **1.8 mm [.071 in]**

Mating Tab Thickness: **.64 mm [.025 in]**

Terminal Transmits: **0 – 24 A (Low Power)**

Wire Size: **20 – 16 AWG**

[All MULTILOCK, RECEPTACLE AND TAB \(143\)](#)

Features

Product Type Features

Sealable	No
----------	----

Contact Features

Contact Size	1.8mm
Contact Fabrication	Stamped & Formed
Typical Current Rating	14 A
Crimp Type	F-Crimp
Terminal Type	Tab
Mating Tab Width	1.8 mm[.071 in]
Mating Tab Thickness	.64 mm[.025 in]
Interface Plating	Tin (Sn)
Contact Termination Area Plating Material	Tin (Sn)

Termination Features

Termination Method to Wire & Cable	Crimp
Product Terminates To	Wire

Dimensions

Wire Size	.5 – 1.25 mm ²
Wire Size Search	16 AWG, 17 AWG, 18 AWG, 19 AWG, 20

AWG

Wire Insulation Diameter	2 – 2.6 mm [.079 – .102 in]
--------------------------	-----------------------------

Usage Conditions

Insulation Option	Uninsulated
Operating Temperature (Max)	80 °C, 85 °C, 90 °C, 100 °C, 105 °C [176 °F][185 °F][194 °F][212 °F][221 °F]
Operating Temperature Range	-30 – 105 °C [-22 – 221 °F]

Packaging Features

Packaging Method	Bag
Packaging Quantity	1000

Other

Terminal Transmits	0 – 24 A (Low Power)
--------------------	----------------------

Product Compliance

For compliance documentation, visit the product page on [TE.com](https://www.te.com)>

EU RoHS Directive 2011/65/EU	Compliant
EU ELV Directive 2000/53/EC	Compliant
China RoHS 2 Directive MIIT Order No 32, 2016	No Restricted Materials Above Threshold
EU REACH Regulation (EC) No. 1907/2006	Current ECHA Candidate List: JUNE 2022 (224) Candidate List Declared Against: JAN 2022 (223) SVHC > Threshold: Not Yet Reviewed
Halogen Content	Low Halogen - Br, Cl, F, I < 900 ppm per homogenous material. Also BFR/CFR/PVC Free
Solder Process Capability	Not applicable for solder process capability

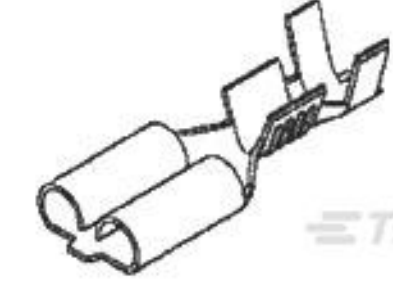
Product Compliance Disclaimer

This information is provided based on reasonable inquiry of our suppliers and represents our current actual knowledge based on the information they provided. This information is subject to change. The part numbers that TE has identified as EU RoHS compliant have a maximum concentration of 0.1% by weight in homogenous materials for lead, hexavalent chromium, mercury, PBB, PBDE, DBP, BBP, DEHP, DIBP, and 0.01% for cadmium, or qualify for an exemption to these limits as defined in the Annexes of Directive 2011/65/EU (RoHS2). Finished electrical and electronic equipment products will be CE marked as required by Directive 2011/65/EU. Components may not be CE marked. Additionally, the part numbers that TE has identified as EU ELV compliant have a maximum concentration of 0.1% by weight in homogenous materials for lead, hexavalent chromium, and mercury, and 0.01% for cadmium, or qualify for an exemption to these limits as defined in the Annexes of Directive 2000/53/EC (ELV). Regarding the REACH Regulation, the information TE provides on SVHC in articles for this part number is based on the latest European Chemicals Agency (ECHA) 'Guidance on requirements for substances in articles' posted at this URL: <https://echa.europa.eu/guidance-documents/guidance-on-reach>

Compatible Parts



TE Part # CAT-M9194-CH8172
MULTILOCK, CONNECTOR HOUSING



TE Part # 171632-1
E-J MK-2 250 REC CONT



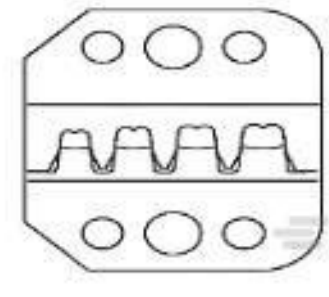
TE Part # 91573-1
CCII 070 SERIES REC TAB 20-16 ASSY



TE Part # 755430-2
EXT, TOOL ASSY



TE Part # 58521-1
PRO-CRIMPER II



TE Part # 58521-2
PRO-CRIMPER DIE



TE Part # 525337-2
MULTILOCK HAND TOOL



TE Part # 525337-3
MULTILOCK HAND TOOL



TE Part # 755224-1
DAHT 070 TAB CONT 20-16 ASSY

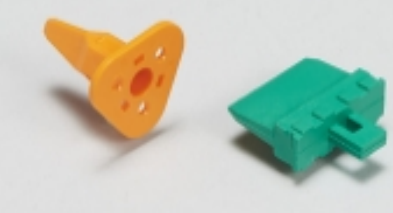
Also in the Series | Multilock Connector System




Automotive Connector Caps & Covers
(16)



Automotive Connector EMC Shielding
(1)



Automotive Connector Locks & Position Assurance(2)



Automotive Housings(575)



Automotive Seals & Cavity Plugs(2)



Automotive Terminals(141)



Insertion & Extraction Tools(6)



Other Automotive Connector Accessories(9)

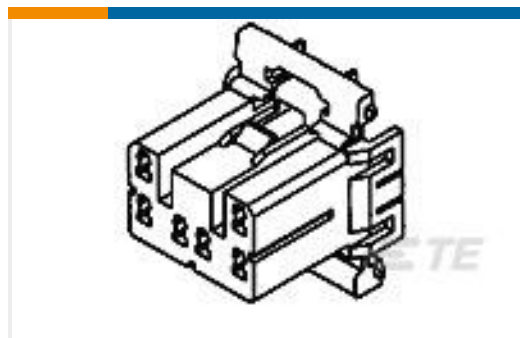


PCB Headers & Receptacles(129)

Customers Also Bought



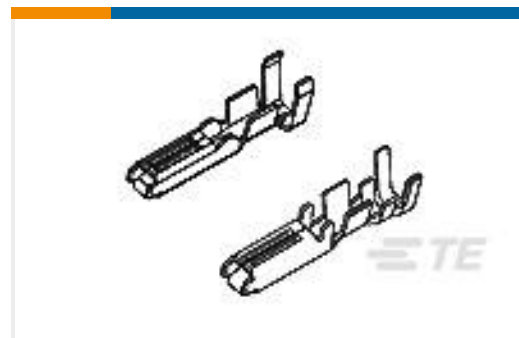
TE Part #1318107-1
DYNAMIC D-2000 REC CONT M LP



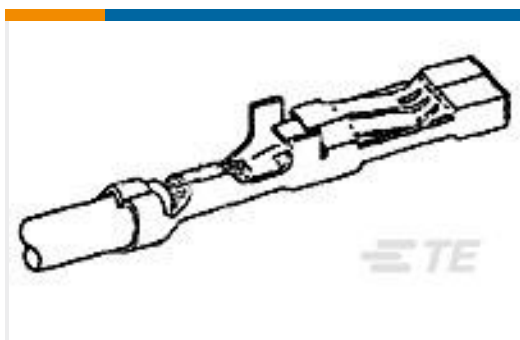
TE Part #174952-1
070 MLC W-W PLUG HSG 20P



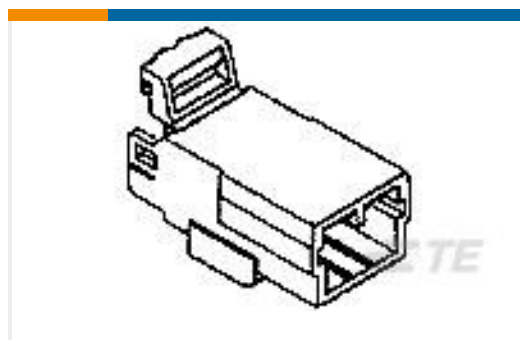
TE Part #175287-2
Contact: Component To Wire; 15A, 28-14 wire size



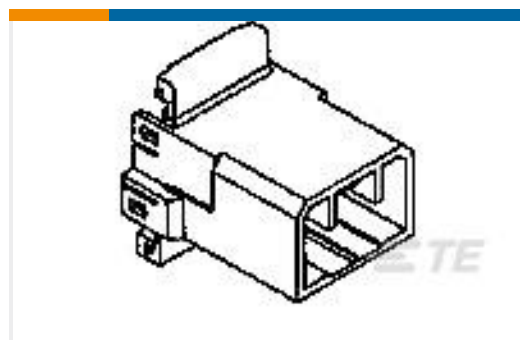
TE Part #175027-6
070 MLC REC CONT LP



TE Part #170289-1
MIC REC LP



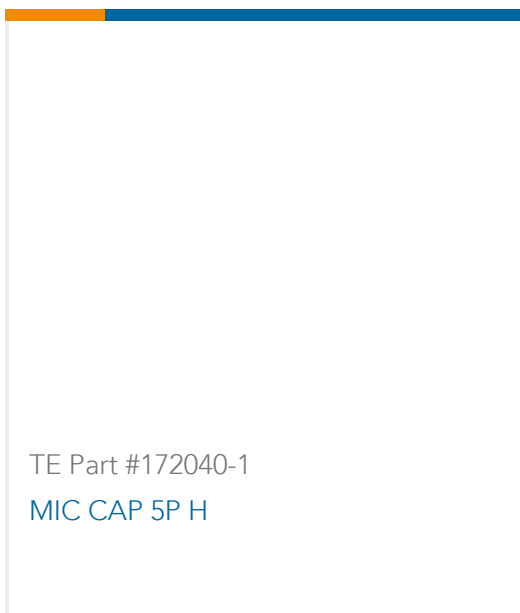
TE Part #174930-1
070 MLC W-W CAP HSG 6P SGL



TE Part #174936-1
070 MLC W-W CAP HSG 20P



TE Part #171892-1
9CIR MIC PLUG HSG



TE Part #172040-1
MIC CAP 5P H

Documents



Product Drawings

070 MLC TAB CONT LP

Japanese

CAD Files

3D PDF

3D

Customer View Model

[ENG_CVM_CVM_175030-2_B.2d_dxf.zip](#)

English

Customer View Model

[ENG_CVM_CVM_175030-2_B.3d_igs.zip](#)

English

Customer View Model

[ENG_CVM_CVM_175030-2_B.3d_stp.zip](#)

English

Customer View Model

[ENG_CVM_175030-2_E1.3d_igs.zip](#)

English

Customer View Model

[ENG_CVM_175030-2_E1.3d_stp.zip](#)

English

Customer View Model

[ENG_CVM_175030-2_E1.2d_dxf.zip](#)

English

3D PDF

English

By downloading the CAD file I accept and agree to the [Terms and Conditions](#) of use.

Datasheets & Catalog Pages

MULTILOCK Connector System

English

Product Specifications

Application Specification

English

Instruction Sheets

Instruction Sheet (non U.S.)

English

[AMP Extraction Tool P/N 755430-2 for Extraction 070 Series Cont.](#)

English