

1924955-7 ✓ ACTIVE

## Generation Y Connector System

TE Internal #: 1924955-7

Automotive Terminals, Receptacle, Mating Tab Width .8 mm [.031 in], Tab Thickness .025 in [.64 mm], 26 AWG Wire Size, Generation Y Connector System

[View on TE.com >](#)



Terminals & Splices > Automotive Terminals



Terminal Type: **Receptacle**

Mating Tab Width: **.8 mm [.031 in]**

Mating Tab Thickness: **.64 mm [.025 in]**

Terminal Transmits: **0 – 24 A (Low Power)**

Wire Size: **26 AWG**

### Features

#### Product Type Features

Receptacle Style	180°
Sealable	No
Primary Locking Feature	Clean Body

#### Contact Features

Contact Size	.64mm
Contact Fabrication	Stamped & Formed
Typical Current Rating	4 A
Crimp Type	F-Crimp
Terminal Type	Receptacle
Mating Tab Width	.8 mm [.031 in]
Mating Tab Thickness	.64 mm [.025 in]
Interface Plating	Tin (Sn)
Contact Termination Area Plating Material	Tin (Sn)

#### Termination Features

Termination Method to Wire & Cable	Crimp
Product Terminates To	Wire

#### Dimensions

Wire Size	.13 mm <sup>2</sup>
-----------	---------------------



Wire Size Search	26 AWG
Wire Insulation Diameter	.85 – 1.05 mm [.033 – .041 in]

### Usage Conditions

Insulation Option	Uninsulated
Operating Temperature (Max)	80 °C, 85 °C, 90 °C, 100 °C [176 °F][185 °F] [194 °F][212 °F]
Operating Temperature Range	-40 – 100 °C [-40 – 212 °F]

### Operation/Application

Compatible With Wire Base Material	Copper
------------------------------------	--------

### Industry Standards

Agency/Standard	SAE/USCAR-2 / USCAR-21
-----------------	------------------------

### Packaging Features

Packaging Method	Package
Packaging Quantity	10000

### Other

Terminal Transmits	0 – 24 A (Low Power)
--------------------	----------------------

## Product Compliance

[For compliance documentation, visit the product page on TE.com>](#)


EU RoHS Directive 2011/65/EU	Compliant
EU ELV Directive 2000/53/EC	Compliant
China RoHS 2 Directive MIIT Order No 32, 2016	No Restricted Materials Above Threshold
EU REACH Regulation (EC) No. 1907/2006	Current ECHA Candidate List: JUNE 2022 (224) Candidate List Declared Against: JAN 2022 (223) SVHC > Threshold: Not Yet Reviewed
Halogen Content	Low Halogen - Br, Cl, F, I < 900 ppm per homogenous material. Also BFR/CFR/PVC Free
Solder Process Capability	Not applicable for solder process capability

#### Product Compliance Disclaimer

This information is provided based on reasonable inquiry of our suppliers and represents our current actual knowledge based on the information they provided. This information is subject to change. The part numbers that TE has identified as EU RoHS compliant have a maximum concentration of 0.1% by weight in homogenous materials for lead, hexavalent

chromium, mercury, PBB, PBDE, DBP, BBP, DEHP, DIBP, and 0.01% for cadmium, or qualify for an exemption to these limits as defined in the Annexes of Directive 2011/65/EU (RoHS2). Finished electrical and electronic equipment products will be CE marked as required by Directive 2011/65/EU. Components may not be CE marked. Additionally, the part numbers that TE has identified as EU ELV compliant have a maximum concentration of 0.1% by weight in homogenous materials for lead, hexavalent chromium, and mercury, and 0.01% for cadmium, or qualify for an exemption to these limits as defined in the Annexes of Directive 2000/53/EC (ELV). Regarding the REACH Regulation, the information TE provides on SVHC in articles for this part number is based on the latest European Chemicals Agency (ECHA) 'Guidance on requirements for substances in articles' posted at this URL: <https://echa.europa.eu/guidance-documents/guidance-on-reach>

## Compatible Parts



TE Part # 1456471-1  
8p Hybrid 0.64/2.8 Unsealed PI



TE Part # 2305570-1  
TERMINAL CUTTER, SIDE FEED



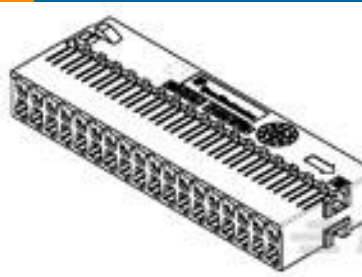
TE Part # CAT-T319-CH8172  
TH/.025 CONNECTOR SYSTEM, HOUSING



TE Part # 2035363-1  
1X6 GENERATION Y ASSY KEY B



TE Part # 1924341-1  
18P, 1 Row Carrier for 54P LAC



TE Part # 1924340-1  
36P, 2 Row Carrier for 54P LAC



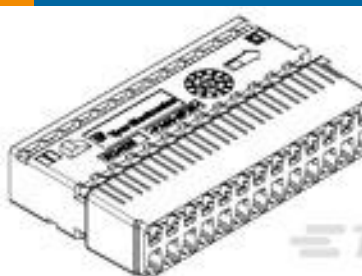
TE Part # 2098634-1  
Carrier, 20P, GY LAC, Black



TE Part # 2098216-1  
32P Carrier, GY



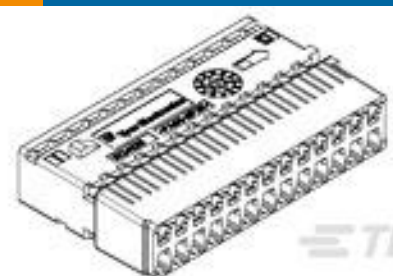
TE Part # 2288276-1  
Assy, Plug, USCAR, GenY, 20p, Key A, No CPA



TE Part # 1924136-2  
Carrier, 26P Generation Y, 52P Conn



TE Part # 1924136-1  
Carrier, 26P Generation Y, 52P Conn



TE Part # 1924136-3  
Carrier, 26P GenerationY, Hand Mate Conn



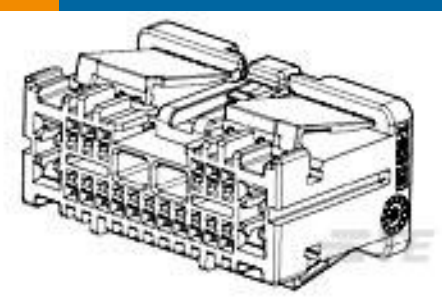
TE Part # 2288274-1  
24P HYBRID 0.64/2.8 PLUG ASSY, A KEY



TE Part # 2035360-1  
1X4 GENERATION Y ASSY KEY A

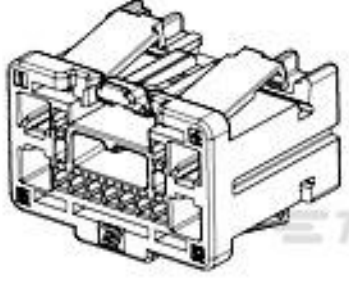


TE Part # 1-2035077-1  
PLUG HSG, 4 POSN HYBRID 0.64/2.8



TE Part # 1924126-1  
21p Hybrid - 1pc Unsealed Plug, Key A



TE Part # 1924667-1  
13p Hybrid - 1pc Unsealed Plug, Key A



TE Part # 2-2151831-1  
OCEAN\_2.0\_Applicator-S-040F0500




TE Part # 2-2151831-2  
OCEAN\_2.0\_Applicator-S-040F0500




TE Part # 2035360-2  
1X4 GENERATION Y ASSY KEYA CPA


## Also in the Series | Generation Y Connector System




Automotive Connector Caps & Covers (16)



Automotive Housings(153)



Automotive Terminals(39)



Insertion & Extraction Tools(1)



PCB Headers & Receptacles(15)

## Customers Also Bought



TE Part #DT04-2P  
DEUTSCH DT Series Housings & Connectors



TE Part #W2S  
DEUTSCH DT WEDGELOCKS



TE Part #282104-1  
AMP SUPERSEAL 1.5MM, CONNECTOR HOUSING



TE Part #281934-2  
SINGLE WIRE SEAL



TE Part #0460-202-16141  
DEUTSCH SOLID CONTACTS



TE Part #114017-ZZ  
SEALING PLUG, SIZE 12/16, WHT



## Documents

### Product Drawings

[CONTACT,FEMALE0.64,0.13SQMM,UN](#)

English

---

### CAD Files

[3D PDF](#)

3D

Customer View Model

[ENG\\_CVM\\_CVM\\_1924955-7\\_D.2d\\_dxf.zip](#)

English

Customer View Model

[ENG\\_CVM\\_CVM\\_1924955-7\\_D.3d\\_igs.zip](#)

English

Customer View Model

[ENG\\_CVM\\_CVM\\_1924955-7\\_D.3d\\_stp.zip](#)

English

By downloading the CAD file I accept and agree to the [Terms and Conditions](#) of use.

---

### Product Specifications

[Application Specification](#)

English