

**PLEASE CHECK WWW.MOLEX.COM FOR LATEST PART INFORMATION**

**Part Number:** **0190190012**  
**Status:** **Active**  
**Description:** Avikrimp™ Quick Disconnect, Female, for 18-22 (0.80-0.35) Wire, Box, Tab 6.35mm (.250") x 0.81mm (.032")

**Documents:**

[Drawing \(PDF\)](#) [RoHS Certificate of Compliance \(PDF\)](#)

**General**

Product Family	Quick Disconnects
Series	19019
Product Name	Avikrimp™
Type	Quick Disconnect

**Physical**

Barrel Type	Closed
Flammability	94V-0
Gender	Female
Glow-Wire Compliant	No
Insulation	Nylon (PA)
Lock to Mating Part	None
Material - Metal	Brass
Orientation	Straight
Packaging Type	Bag
Polarized to Mating Part	No
Tab Thickness	0.81mm (.032")
Tab Width	6.35mm (.250")
Temperature Range - Operating	-65°C to +105°C
Wire Insulation Diameter	2.90mm (.115") max.
Wire Size AWG	18, 20, 22
Wire Size mm²	0.35 - 0.80

**Electrical**

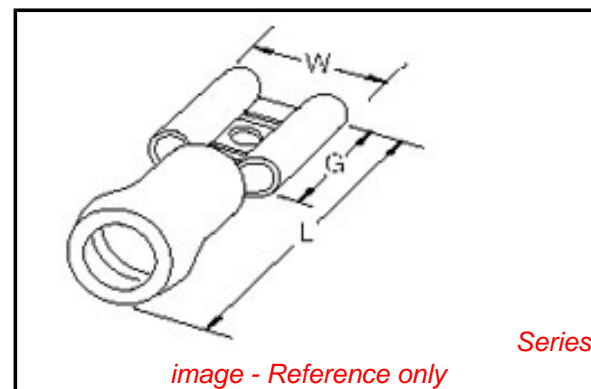
CSA	LR18689
UL	E79133
Voltage - Maximum	300V

**Material Info**

Old Part Number	AA-8140
-----------------	---------

**Reference - Drawing Numbers**

Sales Drawing	SD-19019-001
---------------	--------------



**EU RoHS**

**ELV and RoHS Compliant**  
**REACH SVHC**  
 Not Reviewed  
**Halogen-Free Status**  
 Not Reviewed

**China RoHS**



**Need more information on product environmental compliance?**

Email [productcompliance@molex.com](mailto:productcompliance@molex.com)  
 For a multiple part number RoHS Certificate of Compliance, [click here](#)

Please visit the [Contact Us](#) section for any non-product compliance questions.

**Search Parts in this Series**

19019Series

**Application Tooling | FAQ**

*Tooling specifications and manuals are found by selecting the products below. Crimp Height Specifications are then contained in the Application Tooling Specification document.*

**Global**

Description	Product #
Crimp Head for the AT-200™ Pneumatic Hand Tool	<a href="#">0640050200</a>
Hand Crimp Tool	<a href="#">0640010200</a>
Hand Crimp Tool	<a href="#">0640011700</a>