

4

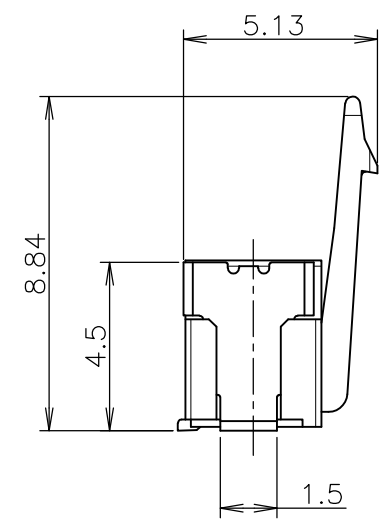
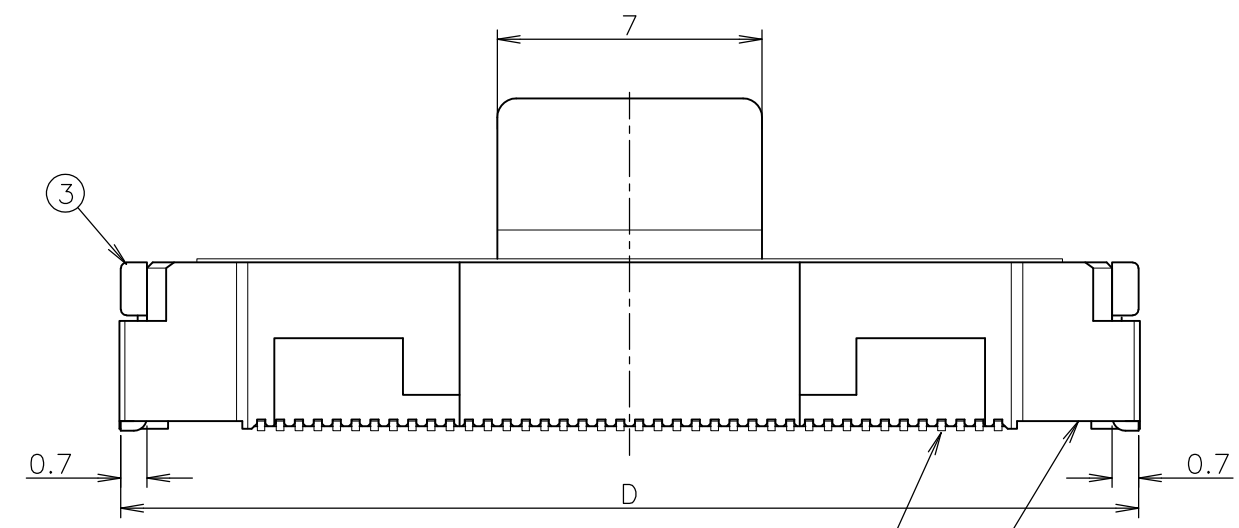
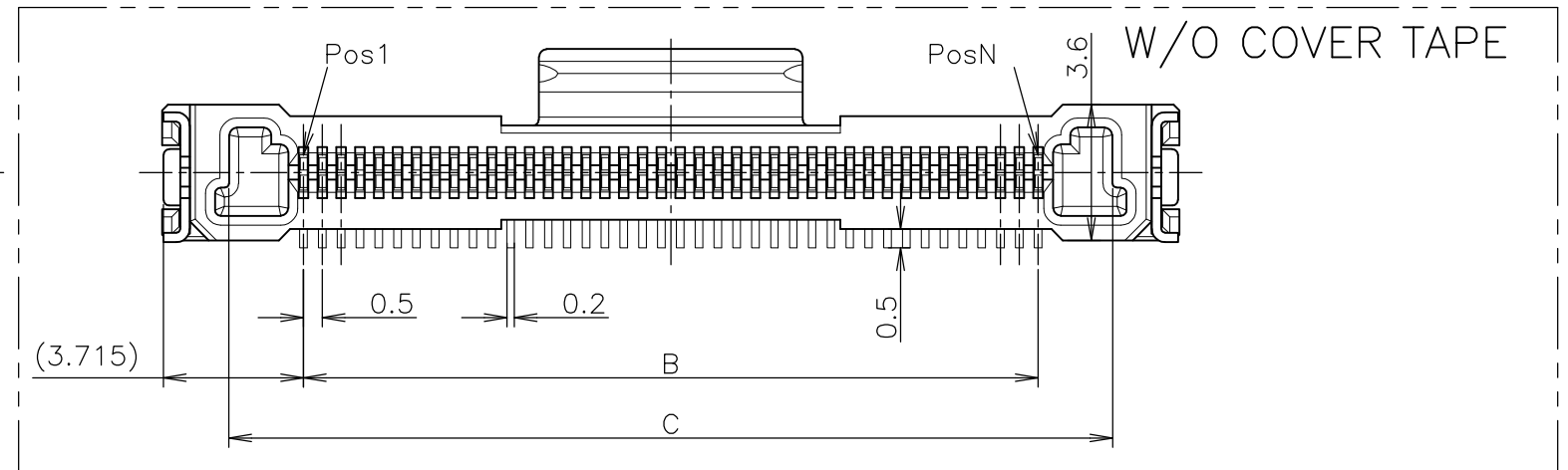
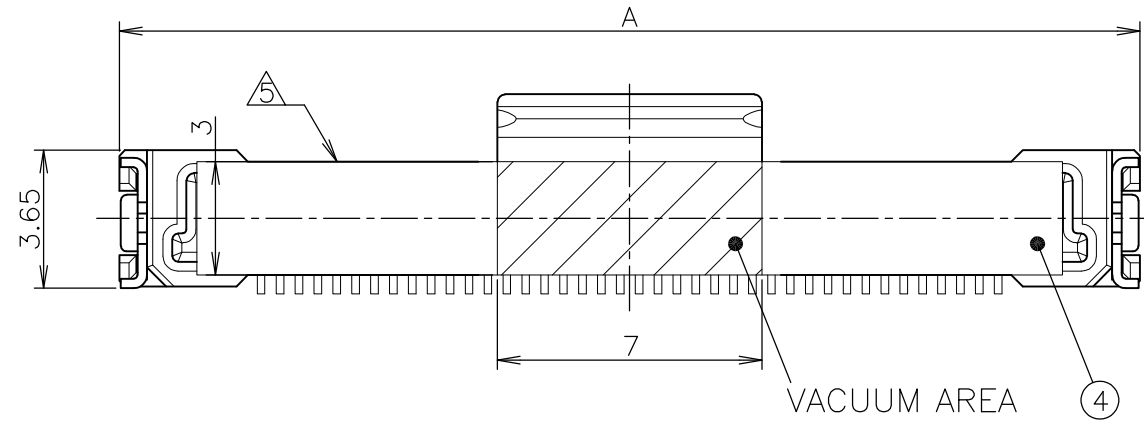
3

2

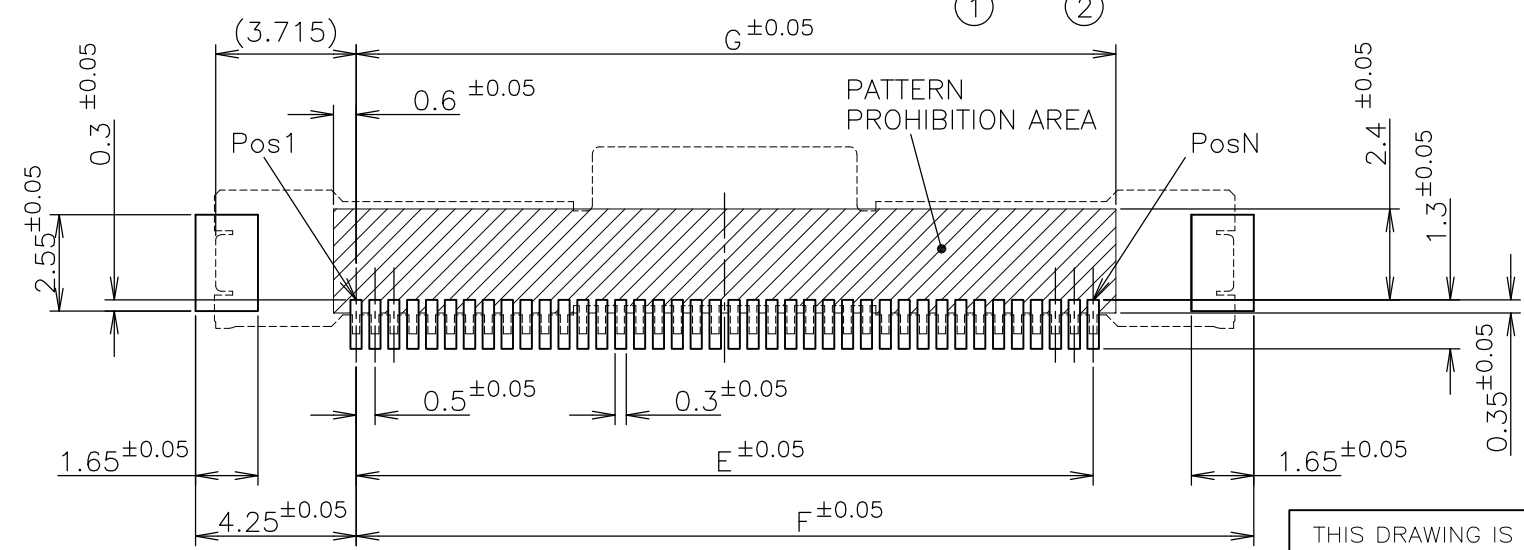
1

THIS DRAWING IS UNPUBLISHED. RELEASED FOR PUBLICATION
 © COPYRIGHT BY TYCO ELECTRONICS CORPORATION. ALL RIGHTS RESERVED.

LOC	DIST	REVISIONS		
J		P	LTR	DESCRIPTION
		B	REVISED	DATE
				DWN
				APVD
				20AUG07
				I.I
				T.F



- NOTE
- 1 GENERAL TOLERANCE : $\pm 0.3, \pm 3^\circ$
 - △ MATERIAL
 - CONTACT : COPPER ALLOY
 - HOUSING : LCP(GRAY)
 - PEG : COPPER ALLOY
 - COVER TAPE : POLYIMIDE FILM
 - △ CONTACT FINISH
 - Ni UNDER PLATE, Au PLATE
 - △ PEG FINISH
 - Ni UNDER PLATE, Sn PLATE
 - △ tyco MARK



G	F	E	D	C	B	A	POS	PART NUMBER
40.1	43.75	39.5	46.93	43.45	39.5	47	80	1871334-3
20.1	23.75	19.5	26.93	23.45	19.5	27	40	1871334-1

1	△	COVER TAPE	④
2	△	PEG	③
1	△	HOUSING	②
N	△	CONTACT	①
-1,-3		FINISH NAME	ITEM

PCB DIMENSION(REF.)

THIS DRAWING IS A CONTROLLED DOCUMENT.

DWN	T.SEKINE	29NOV05	Tyco Electronics Corporation Kawasaki, Japan			
CHK	T.FUTATSUGI	29NOV05				
APVD	Y.YAMAMOTO	29NOV05				
PRODUCT SPEC	製品規格	108-78322	NAME 名称 FFC EASY MATING CONNECTOR,0.5mm PITCH RECEPTACLE ASSY (VERTICAL TYPE)			
APPLICATION SPEC	取付適用規格	411-78220				
WEIGHT			SIZE	CAGE CODE	DRAWING NO	RESTRICTED TO
			A3	00779	1871334	

CUSTOMER DRAWING

SCALE	5:1	SHEET	1 OF 3	REV	B
-------	-----	-------	--------	-----	---

THIS DRAWING IS UNPUBLISHED.

RELEASED FOR PUBLICATION

© COPYRIGHT BY TYCO ELECTRONICS CORPORATION.

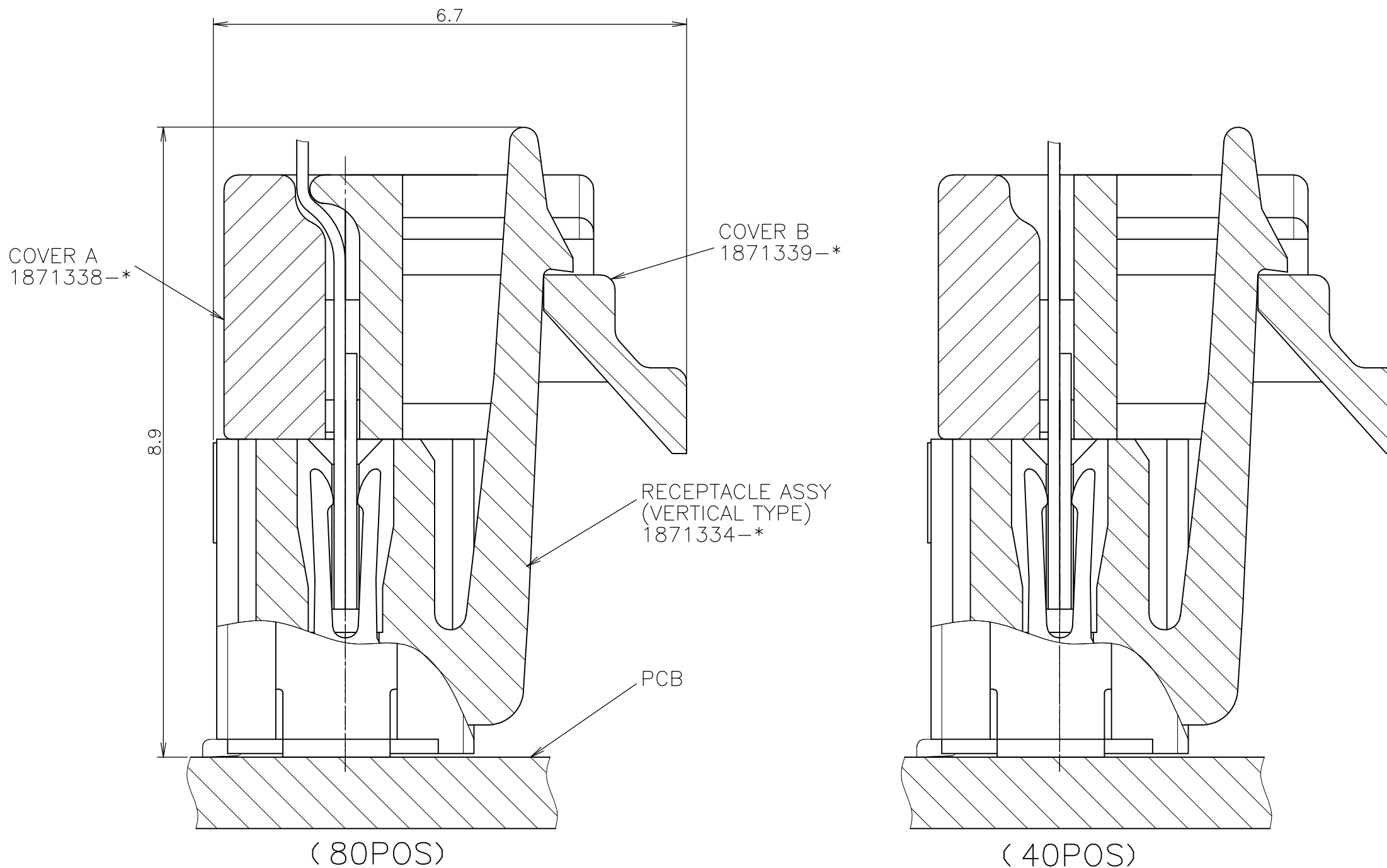
ALL RIGHTS RESERVED.

LOC J DIST

REVISIONS

変更

P	LTR	DESCRIPTION	DATE	DWN	APVD
-	-	SEE SHEET 1	-	-	-

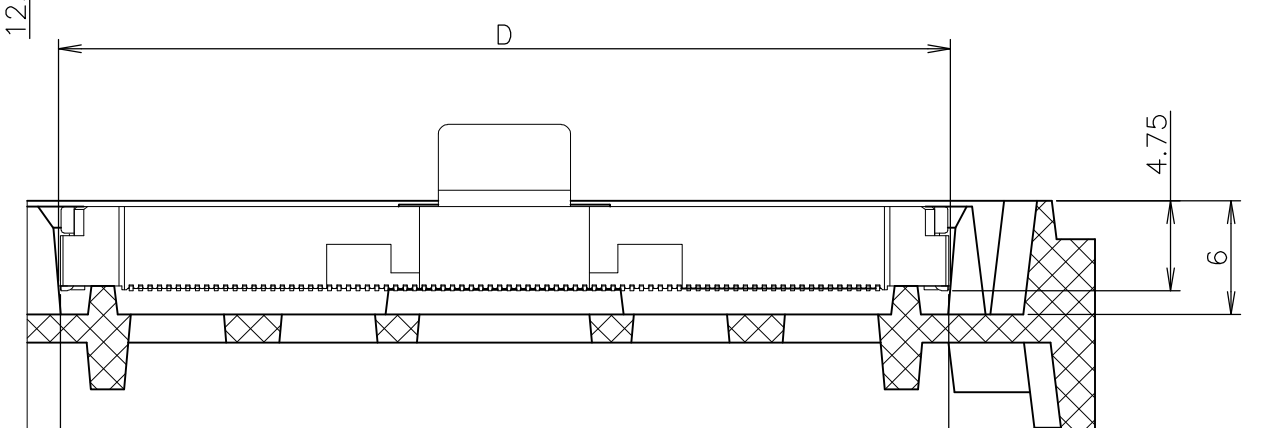
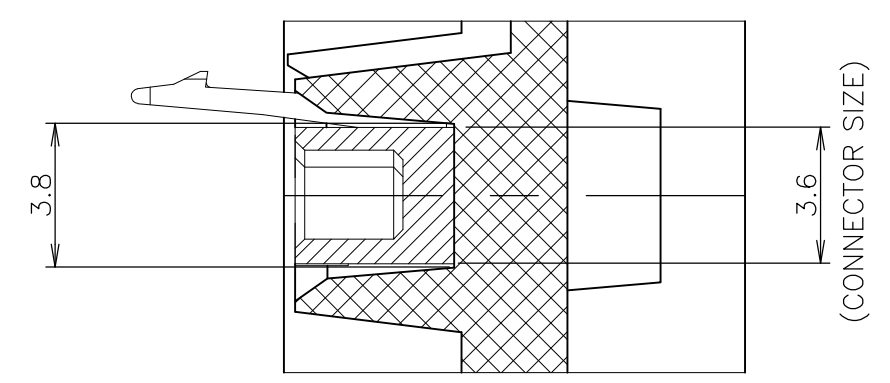
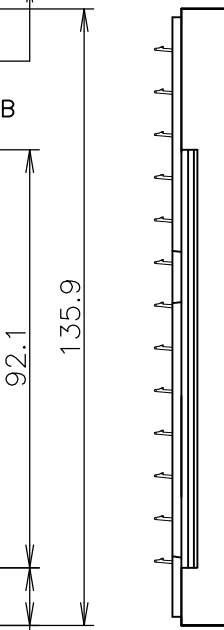
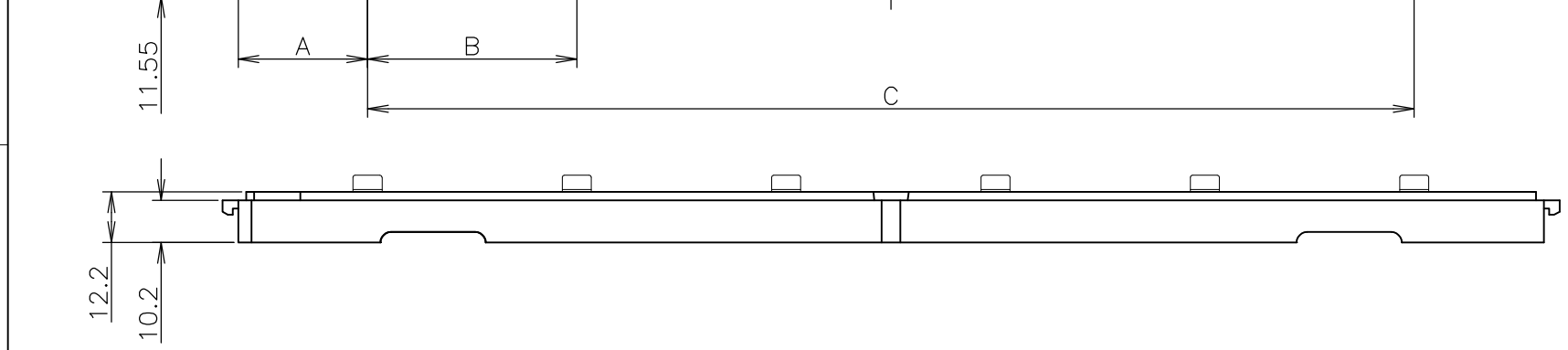
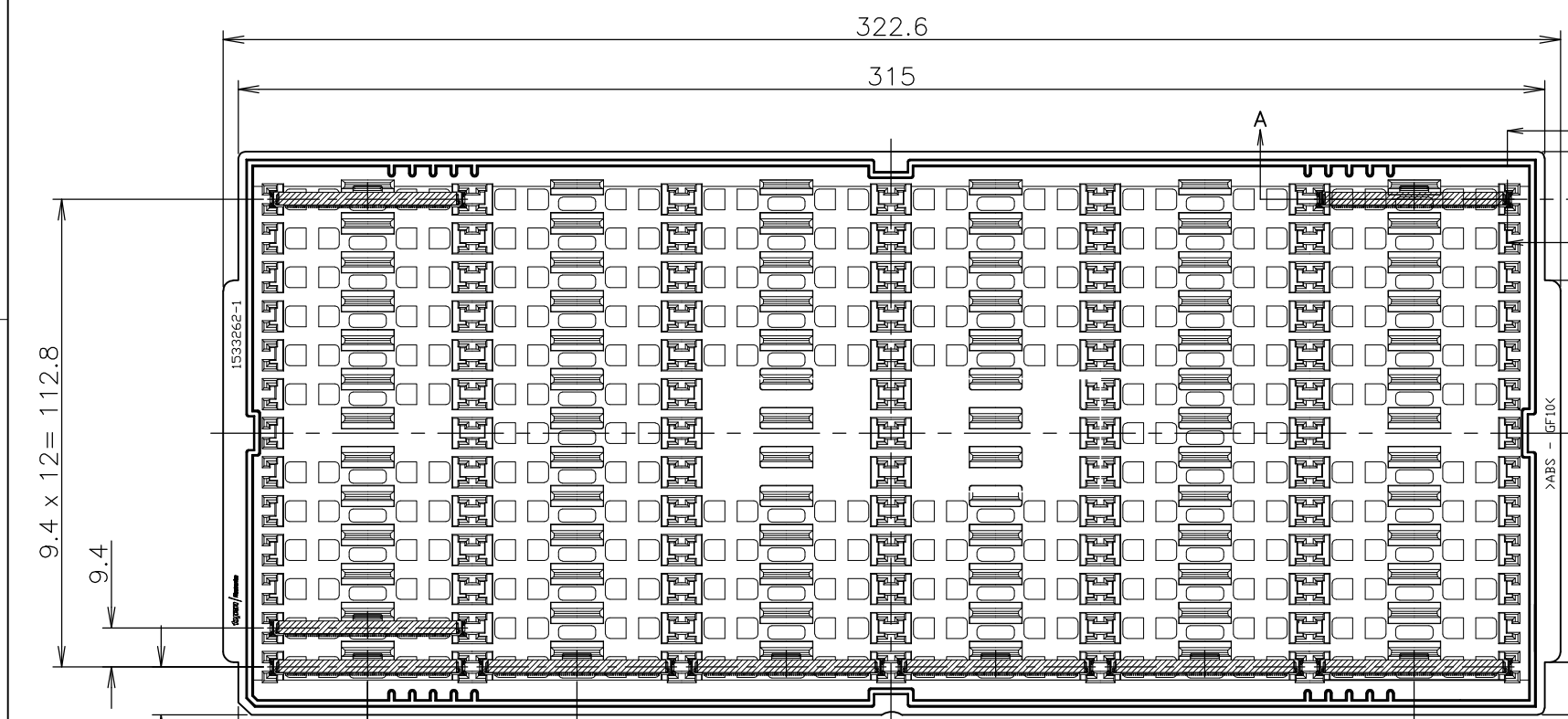


MATING CONDITION

THIS DRAWING IS A CONTROLLED DOCUMENT.		DWN	Tyco Electronics Corporation Kawasaki, Japan		
DIMENSIONS: 単位: 耗 mm		CHK	NAME 名称 FFC EASY MATING CONNECTOR, 0.5mm PITCH RECEPTACLE ASSY (VERTICAL TYPE)		
TOLERANCES UNLESS OTHERWISE SPECIFIED: 一般公差		APVD	PRODUCT SPEC 製品規格		
0 PLC ± 1 PLC ± 2 PLC ± 3 PLC ± 4 PLC ± ANGLES ±		APPLICATION SPEC 取付適用規格	SIZE A3	CAGE CODE 00779	DRAWING NO 番号 G-1871334
MATERIAL 材料	FINISH 仕上	WEIGHT	RESTRICTED TO		
CUSTOMER DRAWING			SCALE 尺度 15:1	SHEET 2 OF 3	REV B

THIS DRAWING IS UNPUBLISHED. RELEASED FOR PUBLICATION
 © COPYRIGHT BY TYCO ELECTRONICS CORPORATION. ALL RIGHTS RESERVED.

LOC	DIST	REVISIONS					
J		P	LTR	DESCRIPTION	DATE	DWN	APVD
		-		SEE SHEET 1	-	-	-



QUANTITY/TRAY	E	D	C	B	A	POS	PART NUMBER
78	47	47.2	252.5	50.5	31.25	80	1871334-3
130	27	27.2	262.8	29.2	26.1	40	1871334-1

THIS DRAWING IS A CONTROLLED DOCUMENT.		DWN	Tyco Electronics Corporation Kawasaki, Japan			
DIMENSIONS: 単位: 耗 mm		CHK	NAME 名称 FFC EASY MATING CONNECTOR, 0.5mm PITCH RECEPTACLE ASSY (VERTICAL TYPE)			
TOLERANCES UNLESS OTHERWISE SPECIFIED: 一般公差		APVD	PRODUCT SPEC 製品規格			
0 PLC ± 1 PLC ± 2 PLC ± 3 PLC ± 4 PLC ± ANGLES ±		APPLICATION SPEC 取付適用規格	SIZE	CAGE CODE	DRAWING NO 番号	RESTRICTED TO
MATERIAL 材料		WEIGHT	A3	00779	G-1871334	
CUSTOMER DRAWING			SCALE 尺度	SHEET	REV	
			NTS	3 OF 3	B	