



AMP | Sealed Sensor Connector SSC System

TE Internal #: 184020-1

Housing for Female Terminals, Wire-to-Board / Wire-to-Wire / Wire-to-Device, 2 Position, .197 in [5 mm] Centerline, Sealed Sensor Connector SSC System

[View on TE.com >](#)

Connectors > Automotive Connectors > Connector Housings



Connector & Housing Type: **Housing for Female Terminals**

Connector System: **Wire-to-Board, Wire-to-Device, Wire-to-Wire**

Number of Positions: **2**

Centerline (Pitch): **5 mm [.197 in]**

Sealable: **Yes**

Features

Product Type Features

Connector & Housing Shape	Rectangular
Connector & Housing Type	Housing for Female Terminals
Connector System	Wire-to-Board, Wire-to-Device, Wire-to-Wire
Sealable	Yes
Hybrid Connector	No
Primary Locking Feature	Integrated in Housing

Configuration Features

Number of Positions	2
Number of Rows	1

Electrical Characteristics

Operating Voltage	125 VAC
Nominal Voltage Architecture	12 V, 24 V, 42 V, 48 V, 80 V, 90 V, 125 V

Body Features

Cable Exit Angle	180°
Body Material	PBT GF
Primary Product Color	Natural
Connector Code	L



Contact Features

Contact Size	1.8mm
--------------	-------

Mechanical Attachment

Mounting Feature	Without
Terminal Position Assurance	No
Strain Relief	Without
Mating Alignment Type	Keyed
Mating Alignment	With
Connector Mounting Type	Cable Mount (Free-Hanging)

Housing Features

Centerline (Pitch)	5 mm [.197 in]
--------------------	----------------

Dimensions

Product Width	24.05 mm [.947 in]
Product Length	22 mm [.87 in]
Product Height	27.6 mm [1.09 in]

Usage Conditions

Operating Temperature (Max)	70 °C, 75 °C, 80 °C, 85 °C, 90 °C, 100 °C, 105 °C, 110 °C, 120 °C, 125 °C [158 °F][167 °F][176 °F][185 °F][194 °F][212 °F][221 °F][230 °F][248 °F][257 °F]
Operating Temperature Range	-40 – 125 °C [-40 – 257 °F]

Industry Standards

UL Flammability Rating	UL 94HB
------------------------	---------

Packaging Features

Packaging Quantity	1800
Packaging Method	Package

Other

Serviceable	Yes
Connector Position Assurance Capable	No

Product Compliance

[For compliance documentation, visit the product page on TE.com>](#)

EU RoHS Directive 2011/65/EU	Compliant
------------------------------	-----------



EU ELV Directive 2000/53/EC

Compliant

China RoHS 2 Directive MIIT Order No 32, 2016

No Restricted Materials Above Threshold

EU REACH Regulation (EC) No. 1907/2006

Current ECHA Candidate List: JUNE 2022 (224)

Candidate List Declared Against: JAN 2022 (223)

SVHC > Threshold:
Not Yet Reviewed

Halogen Content

Low Halogen - Br, Cl, F, I < 900 ppm per homogenous material. Also BFR/CFR/PVC Free

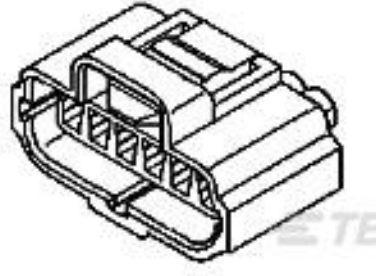
Solder Process Capability

Not applicable for solder process capability

Product Compliance Disclaimer

This information is provided based on reasonable inquiry of our suppliers and represents our current actual knowledge based on the information they provided. This information is subject to change. The part numbers that TE has identified as EU RoHS compliant have a maximum concentration of 0.1% by weight in homogenous materials for lead, hexavalent chromium, mercury, PBB, PBDE, DBP, BBP, DEHP, DIBP, and 0.01% for cadmium, or qualify for an exemption to these limits as defined in the Annexes of Directive 2011/65/EU (RoHS2). Finished electrical and electronic equipment products will be CE marked as required by Directive 2011/65/EU. Components may not be CE marked. Additionally, the part numbers that TE has identified as EU ELV compliant have a maximum concentration of 0.1% by weight in homogenous materials for lead, hexavalent chromium, and mercury, and 0.01% for cadmium, or qualify for an exemption to these limits as defined in the Annexes of Directive 2000/53/EC (ELV). Regarding the REACH Regulation, the information TE provides on SVHC in articles for this part number is based on the latest European Chemicals Agency (ECHA) 'Guidance on requirements for substances in articles' posted at this URL: <https://echa.europa.eu/guidance-documents/guidance-on-reach>

Compatible Parts



TE Part # 184060-1
6 POS. 6 CIRC PLUG ASSY, KEY A



TE Part # 184141-1
WIRE SEAL, RUBBER, SENSOR, PURPLE, LIM



TE Part # 184140-1
WIRE SEAL, RUBBER, SENSOR, ORANGE



TE Part # 184030-3
RECPT, CONTACT 070, PTPPHBZ



TE Part # 184002-1
2 POS. PLUG ASSY, KEY B, GRAY



TE Part # 184030-1
RECPT, CONTACT 070, AUPHBZ



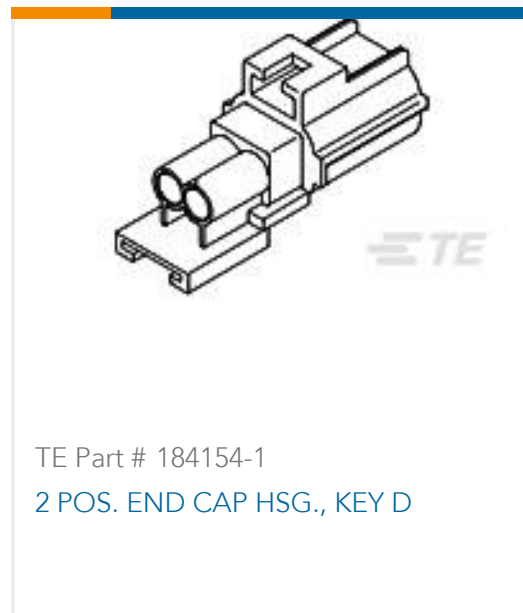
TE Part # 184095-1
RECPT, CONTACT .070, AUPHBZ



TE Part # 184095-2
RECPT, CONTACT .070, PTPPHBZ



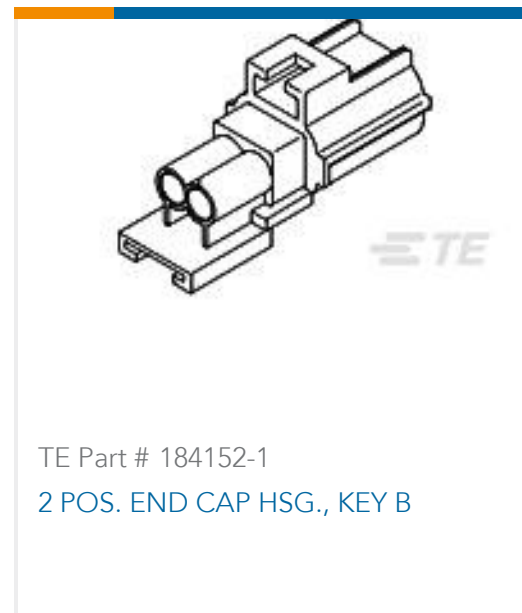
TE Part # 184139-1
WIRE SEAL, RUBBER, SENSOR, BLUE



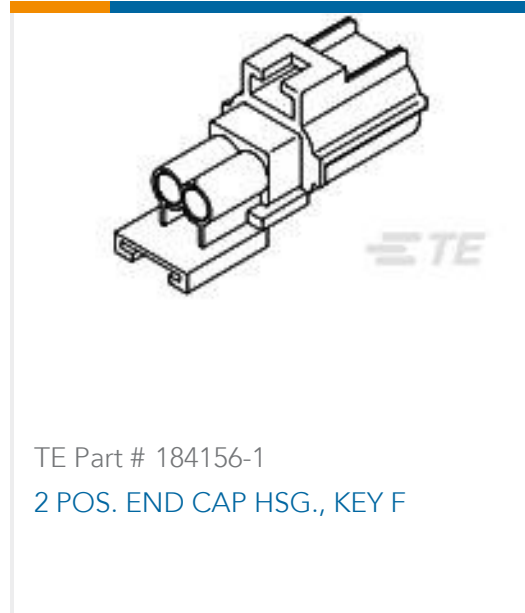
TE Part # 184154-1
2 POS. END CAP HSG., KEY D



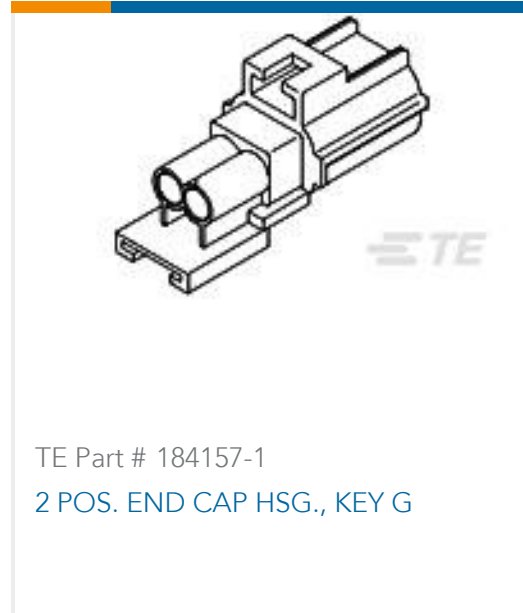
TE Part # 184373-2
CONTACT, RECEPTACLE, .070 TYPE



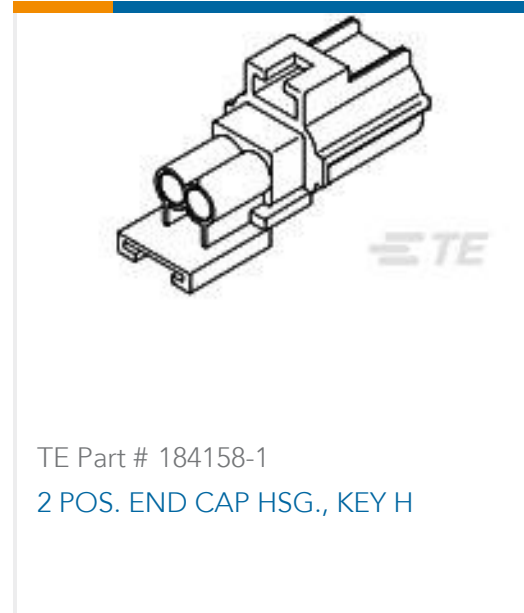
TE Part # 184152-1
2 POS. END CAP HSG., KEY B



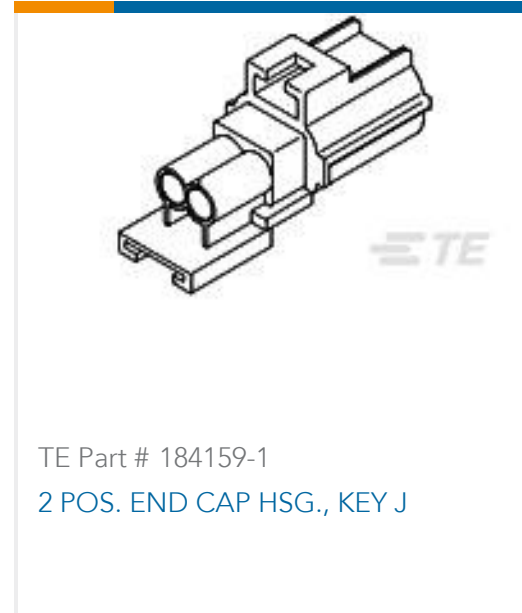
TE Part # 184156-1
2 POS. END CAP HSG., KEY F



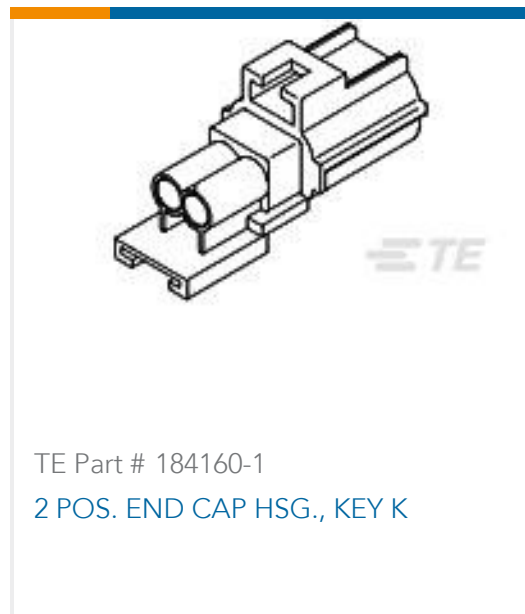
TE Part # 184157-1
2 POS. END CAP HSG., KEY G



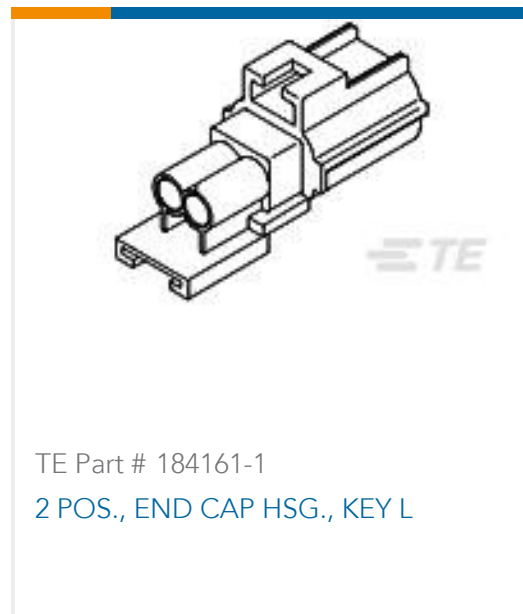
TE Part # 184158-1
2 POS. END CAP HSG., KEY H



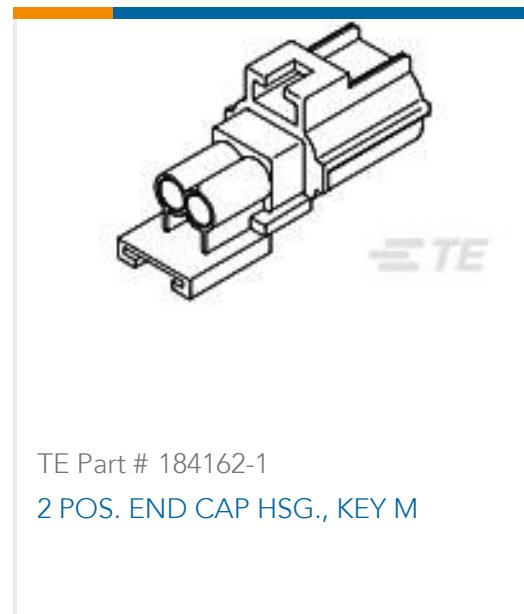
TE Part # 184159-1
2 POS. END CAP HSG., KEY J



TE Part # 184160-1
2 POS. END CAP HSG., KEY K



TE Part # 184161-1
2 POS., END CAP HSG., KEY L



TE Part # 184162-1
2 POS. END CAP HSG., KEY M

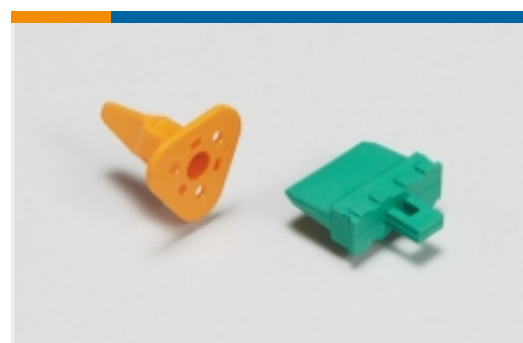


TE Part # 184169-1
2 POS. CAP HSG., KEY G

Also in the Series | Sealed Sensor Connector SSC System



Automotive Connector Caps & Covers (7)



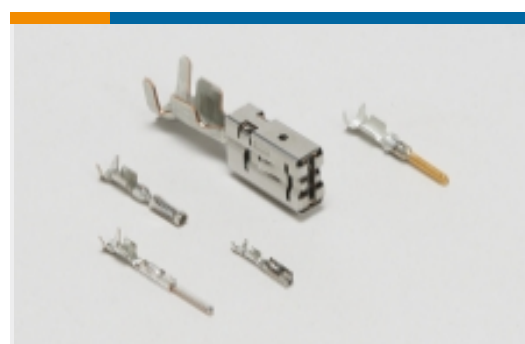
Automotive Connector Locks & Position Assurance (6)



Automotive Housings (178)



Automotive Seals & Cavity Plugs (3)



Automotive Terminals (8)

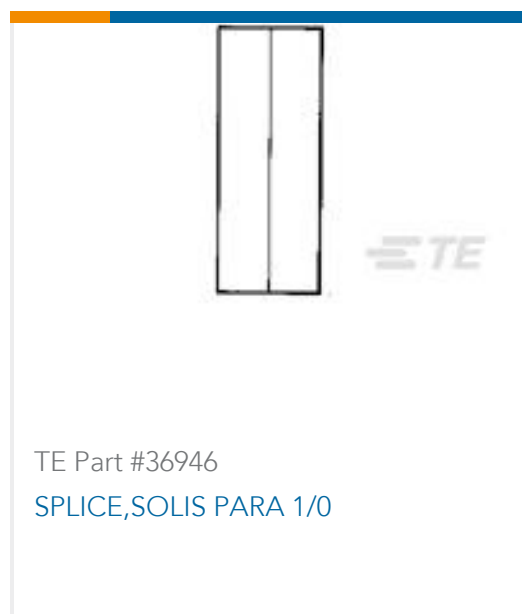


Insertion & Extraction Tools (1)



Other Automotive Connector Accessories (7)

Customers Also Bought



Documents

Product Drawings

2 POS. PLUG ASSY, KEY L, NAT

English

CAD Files

3D PDF

3D

Customer View Model

[ENG_CVM_CVM_184020-1_C.2d_dxf.zip](#)

English

Customer View Model

[ENG_CVM_CVM_184020-1_C.3d_igs.zip](#)

English

Customer View Model

[ENG_CVM_CVM_184020-1_C.3d_stp.zip](#)

English

By downloading the CAD file I accept and agree to the [Terms and Conditions](#) of use.

Product Specifications



Application Specification

English

Product Environmental Compliance

Product Compliance

English

Product Compliance

English

Instruction Sheets

Instruction Sheet (U.S.)

English

Positioning the Double Lock Plate

English