

180904 ✓ ACTIVE

FASTIN-FASTON | FASTIN-FASTON 250

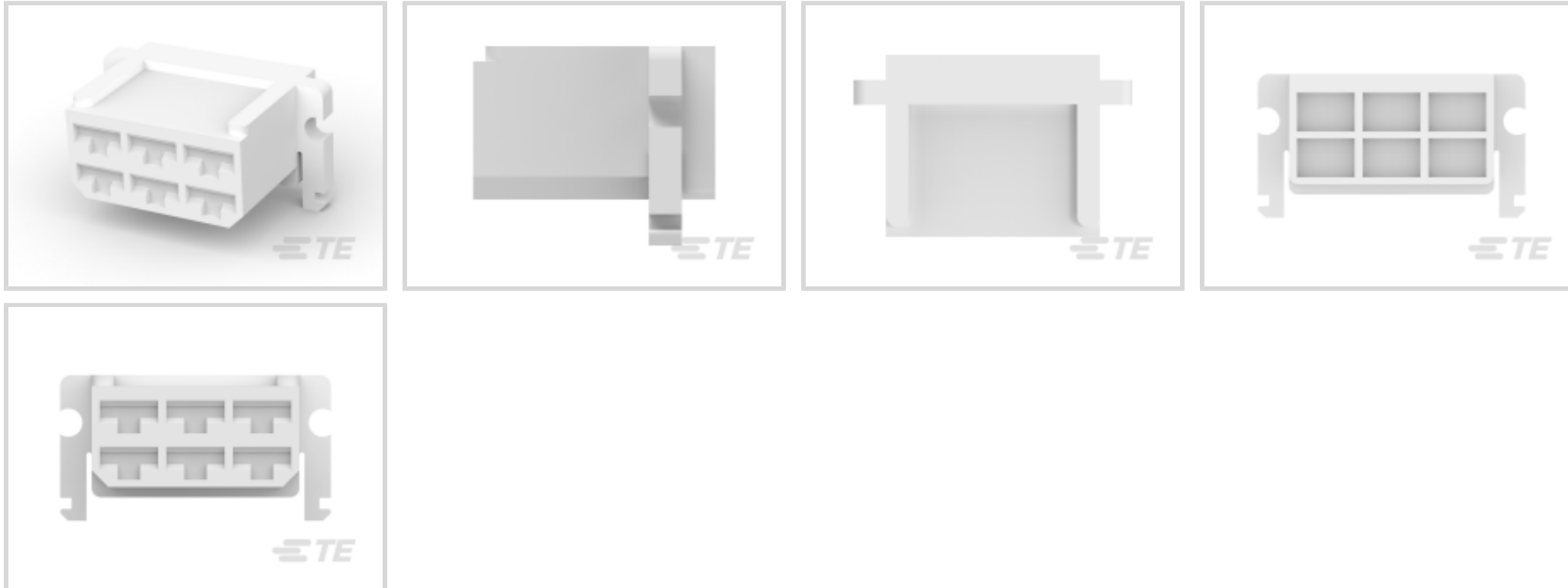
TE Internal #: 180904

Crimp Terminal Housings, Receptacle, Receptacle, 6 Position, Flag,
Natural, Polyamide, Mating Alignment, Panel Mount, FASTIN-
FASTON 250

[View on TE.com >](#)



Terminals & Splices > Terminal Housings, Insulation Sleeves & Blocks > Crimp Terminal Housings



Terminal Type: **Receptacle**

Housing Type: **Receptacle**

Number of Positions: **6**

Terminal Orientation: **Flag**

Primary Product Color: **Natural**

Features

Product Type Features

Terminates To	Wire & Cable
Product Type	Terminal Housing
Sealable	No
Housing Type	Receptacle
Insulated	No

Configuration Features

Number of Positions	6
---------------------	---

Body Features

Primary Product Color	Natural
-----------------------	---------

Contact Features

Terminal Type	Receptacle
Terminal Orientation	Flag
Contact Mating Retention	Without



Mechanical Attachment

Mating Alignment	With
Crimp Terminal Housing Mounting Style	Panel Mount

Housing Features

Housing Material	Polyamide
Centerline (Pitch)	9.1 mm[.358 in]

Dimensions

Length	24.2 mm[.953 in]
--------	------------------

Usage Conditions

Operating Temperature Range	-40 – 105 °C[-40 – 221 °F]
-----------------------------	----------------------------

Packaging Features

Packaging Quantity	700
--------------------	-----

Product Compliance

[For compliance documentation, visit the product page on TE.com>](#)

EU RoHS Directive 2011/65/EU	Compliant
EU ELV Directive 2000/53/EC	Compliant
China RoHS 2 Directive MIIT Order No 32, 2016	No Restricted Materials Above Threshold
EU REACH Regulation (EC) No. 1907/2006	Current ECHA Candidate List: JUNE 2022 (224) Candidate List Declared Against: JAN 2022 (223) SVHC > Threshold: Not Yet Reviewed
Halogen Content	Low Halogen - Br, Cl, F, I < 900 ppm per homogenous material. Also BFR/CFR/PVC Free
Solder Process Capability	Not applicable for solder process capability

Product Compliance Disclaimer

This information is provided based on reasonable inquiry of our suppliers and represents our current actual knowledge based on the information they provided. This information is subject to change. The part numbers that TE has identified as EU RoHS compliant have a maximum concentration of 0.1% by weight in homogenous materials for lead, hexavalent chromium, mercury, PBB, PBDE, DBP, BBP, DEHP, DIBP, and 0.01% for cadmium, or qualify for an exemption to these limits as defined in the Annexes of Directive 2011/65/EU (RoHS2). Finished electrical and electronic equipment products will be CE marked as required by Directive 2011/65/EU. Components may not be CE marked. Additionally, the part numbers that TE has identified as EU ELV compliant have a maximum concentration of 0.1% by weight in homogenous materials for lead, hexavalent chromium, and mercury, and 0.01% for cadmium, or qualify for an exemption to these limits as defined in the Annexes of Directive 2000/53/EC (ELV). Regarding the REACH Regulation, the information TE provides

on SVHC in articles for this part number is based on the latest European Chemicals Agency (ECHA) 'Guidance on requirements for substances in articles' posted at this URL: <https://echa.europa.eu/guidance-documents/guidance-on-reach>

Compatible Parts

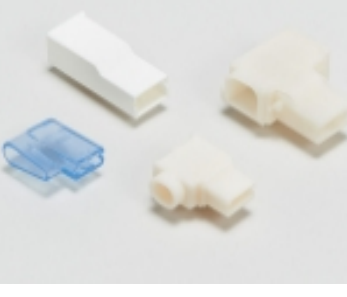


TE Part # 170258-2
FF 250 REC 14-12AWG TPBR
REREELING




TE Part # 170258-1
FF 250 REC 14-12AWG BR REREELING
REREELING


Also in the Series | FASTIN-FASTON 250




Crimp Terminal Housings(218)



Insertion & Extraction Tools(2)

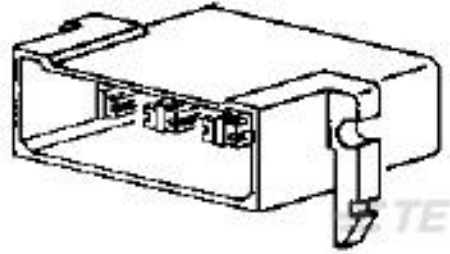


PCB Terminals(2)



Quick Disconnects(255)

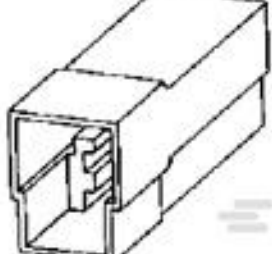
Customers Also Bought



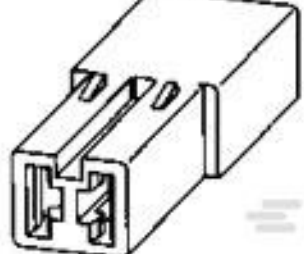
TE Part #163008
FF 250 TAB HSG 8P NYLON CLEAR



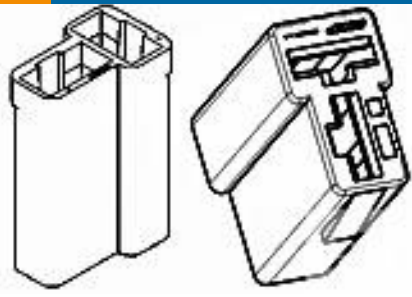
TE Part #1-480708-2
12P UMNL PLUG HSG RED



TE Part #180940
FF 250 TAB HSG 3P NYLON NAT



TE Part #180923
FF 250 REC HSG 2P NYLON NAT



TE Part #180907
FF 250 REC HSG 2P NYLON NAT



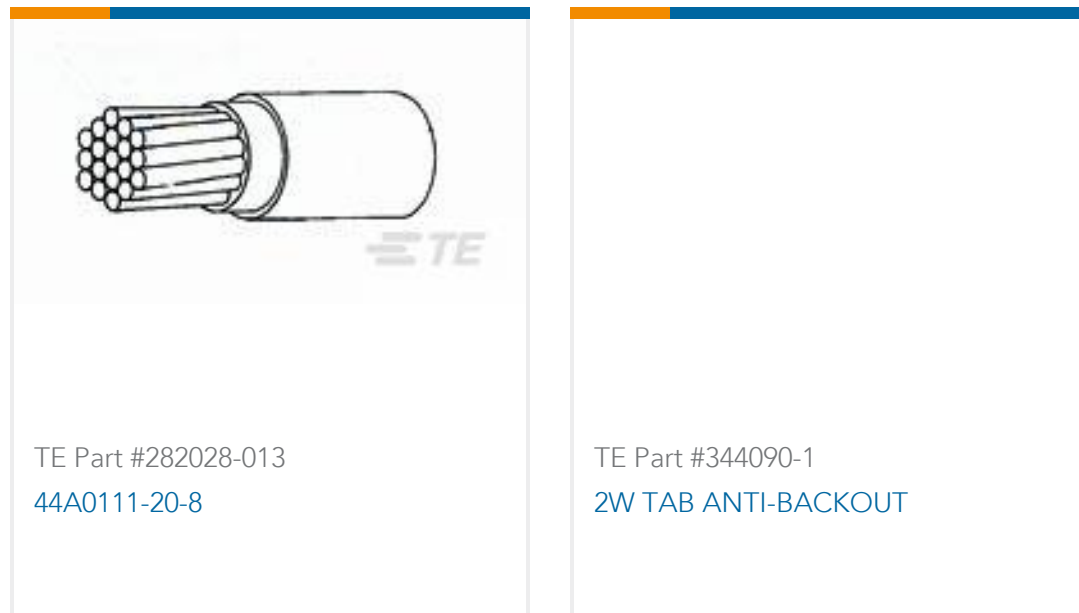
TE Part #2178473-3
3POS UMNL PLUG HSG GW



TE Part #2-1393813-8
V23054E 16B133



TE Part #1-1625873-3
ROX1S LAB-KIT



Documents

Product Drawings

[FF 250 REC HSG 6P NYLON NAT](#)

English

CAD Files

[3D PDF](#)

3D

Customer View Model

[ENG_CVM_CVM_180904_AN_c-180904-an.2d_dxf.zip](#)

English

Customer View Model

[ENG_CVM_CVM_180904_AN_c-180904-an.3d_igs.zip](#)

English

Customer View Model

[ENG_CVM_CVM_180904_AN_c-180904-an.3d_stp.zip](#)

English

By downloading the CAD file I accept and agree to the [Terms and Conditions](#) of use.

Datasheets & Catalog Pages

[White Paper: Nylon Discoloration](#)

English

Product Specifications

[Application Specification](#)

English

Product Environmental Compliance

[TE Material Declaration](#)

English