

1761465-3 ✓ ACTIVE

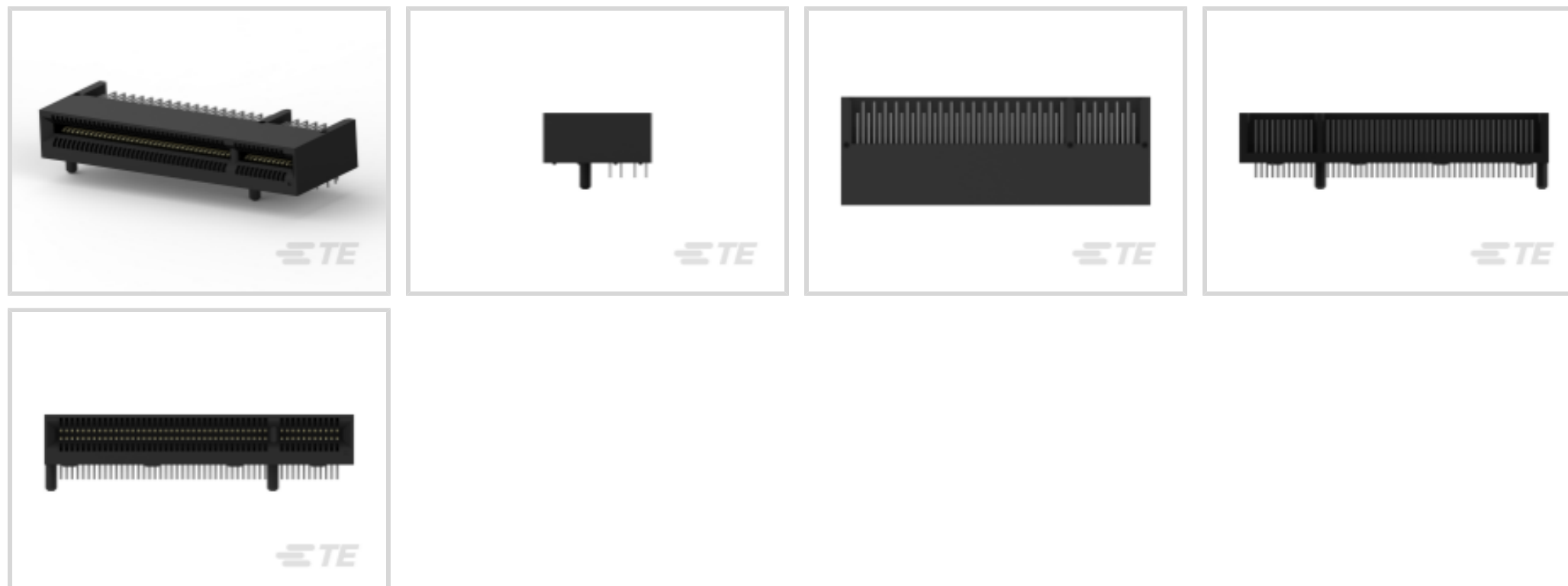
TE Internal #: 1761465-3

PCI & PCI Express Connectors, Board-to-Board, 98 Position, .039 in [1 mm] Centerline, Right Angle, Black, Height 9.4 mm [.37 in]

[View on TE.com >](#)



Connectors > PCB Connectors > Card Edge Connectors > PCI & PCI Express Connectors



Connector System: **Board-to-Board**

Number of Positions: **98**

Centerline (Pitch): **1 mm [ .039 in ]**

Termination Post & Tail Length: **2.3 mm [ .091 in ]**

Contact Mating Area Plating Material Thickness: **[ 30 µin ]**

## Features

### Product Type Features

Connector System	Board-to-Board
Sealable	No
Connector & Contact Terminates To	Printed Circuit Board

### Configuration Features

Number of PCB Mount Retention Features	2
Number of Positions	98
PCB Mount Orientation	Right Angle
Ejector	Without

### Electrical Characteristics

Operating Voltage	50 VAC
-------------------	--------

### Body Features

Product Weight	21.302 g
----------------	----------

### Contact Features

Contact Mating Area Plating Material	Gold
Contact Underplating Material	Nickel



PCB Contact Termination Area Plating Material	Tin
Contact Base Material	Phosphor Bronze
	30 µin
Contact Current Rating (Max)	1.1 A

### Termination Features

Termination Method to Printed Circuit Board	Through Hole - Solder
Termination Post & Tail Length	2.3 mm[.091 in]

### Mechanical Attachment

Connector Mounting Type	Board Mount
-------------------------	-------------

### Housing Features

Housing Material	High Temperature Nylon
Centerline (Pitch)	1 mm[.039 in]
Housing Color	Black

### Dimensions

PCB Thickness (Accepted)	1.57 mm[.062 in]
Connector Height	9.4 mm[.37 in]
Connector Width	19.6 mm[.772 in]

### Usage Conditions

Operating Temperature Range	-40 – 85 °C[-40 – 185 °F]
-----------------------------	---------------------------

### Operation/Application

Circuit Application	Signal
---------------------	--------

### Industry Standards

Bus Type	PCI Express
----------	-------------

### Packaging Features

Packaging Quantity	50
Packaging Method	Box & Tray, Tray

### Product Compliance

For compliance documentation, visit the product page on [TE.com](https://www.te.com)>

EU RoHS Directive 2011/65/EU	Compliant
EU ELV Directive 2000/53/EC	Compliant



China RoHS 2 Directive MIIT Order No 32, 2016	No Restricted Materials Above Threshold
EU REACH Regulation (EC) No. 1907/2006	Current ECHA Candidate List: JUNE 2022 (224) Candidate List Declared Against: JAN 2022 (223) SVHC > Threshold: Not Yet Reviewed
Halogen Content	Not Low Halogen - contains Br or Cl > 900 ppm.
Solder Process Capability	Wave solder capable to 265°C

Product Compliance Disclaimer

This information is provided based on reasonable inquiry of our suppliers and represents our current actual knowledge based on the information they provided. This information is subject to change. The part numbers that TE has identified as EU RoHS compliant have a maximum concentration of 0.1% by weight in homogenous materials for lead, hexavalent chromium, mercury, PBB, PBDE, DBP, BBP, DEHP, DIBP, and 0.01% for cadmium, or qualify for an exemption to these limits as defined in the Annexes of Directive 2011/65/EU (RoHS2). Finished electrical and electronic equipment products will be CE marked as required by Directive 2011/65/EU. Components may not be CE marked. Additionally, the part numbers that TE has identified as EU ELV compliant have a maximum concentration of 0.1% by weight in homogenous materials for lead, hexavalent chromium, and mercury, and 0.01% for cadmium, or qualify for an exemption to these limits as defined in the Annexes of Directive 2000/53/EC (ELV). Regarding the REACH Regulation, the information TE provides on SVHC in articles for this part number is based on the latest European Chemicals Agency (ECHA) 'Guidance on requirements for substances in articles' posted at this URL: <https://echa.europa.eu/guidance-documents/guidance-on-reach>

### Compatible Parts

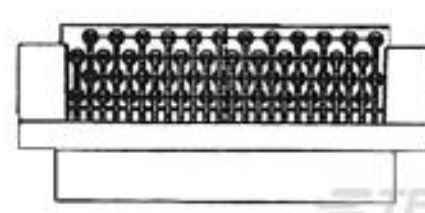


TE Part # 5-2337939-4  
PCIE GEN4 CON,SMT,164POS,30u", MYLAR,HT



TE Part # 1734774-1  
PCI EXP 3.1L 36 POS WHT G/F

### Customers Also Bought



TE Part #3-5174682-7  
AMPLIMITE.050 PLUG ASS'Y (H) 68P PB-FREE



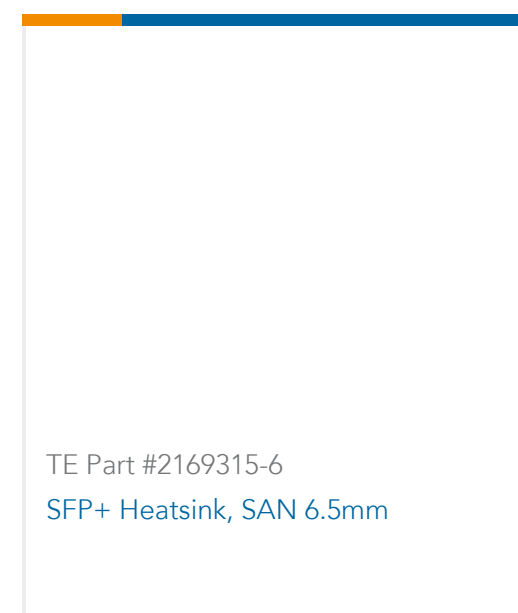
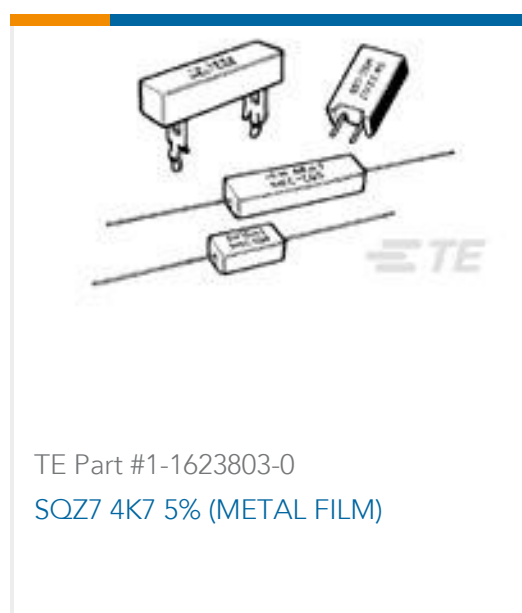
TE Part #5749854-1  
100 50SR BSHELL KIT,M JSCREW



TE Part #5-146280-6  
06 MODII HDR SRST B/A .100CL



TE Part #1735104-3  
SAS BACKPLANE RECEPT, VERTICAL



## Documents

### Product Drawings

PCI Express RA assy 5.8mm slot 2.3mm pc

English

### CAD Files

3D PDF

3D

Customer View Model

[ENG\\_CVM\\_CVM\\_1761465-3\\_C.2d\\_dxf.zip](#)

English

Customer View Model

[ENG\\_CVM\\_CVM\\_1761465-3\\_C.3d\\_igs.zip](#)

English

Customer View Model

[ENG\\_CVM\\_CVM\\_1761465-3\\_C.3d\\_stp.zip](#)

English

By downloading the CAD file I accept and agree to the [Terms and Conditions](#) of use.

### Datasheets & Catalog Pages

4-1773442-7 Card Edge Connector for PCI Express Applications

English

### Product Specifications

Product Specification

English

### Product Environmental Compliance

Product Compliance

English

Product Compliance

English