



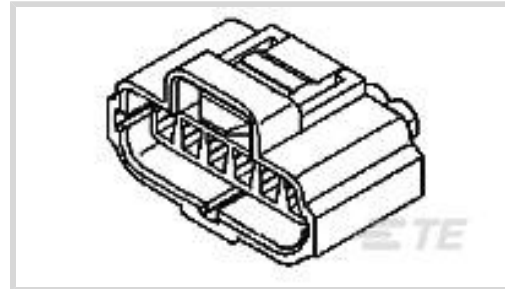
AMP | Sealed Sensor Connector SSC System

TE Internal #: 184026-1

Housing for Female Terminals, Wire-to-Device / Wire-to-Wire / Wire-to-Board, 6 Position, .197 in [5 mm] Centerline, Sealed Sensor Connector SSC System

[View on TE.com >](#)

Connectors > Automotive Connectors > Connector Housings



Connector & Housing Type: **Housing for Female Terminals**

Connector System: **Wire-to-Board, Wire-to-Device, Wire-to-Wire**

Number of Positions: **6**

Centerline (Pitch): **5 mm [ .197 in ]**

Sealable: **Yes**

**Features**

**Product Type Features**

Connector & Housing Shape	Rectangular
Connector & Housing Type	Housing for Female Terminals
Connector System	Wire-to-Board, Wire-to-Device, Wire-to-Wire
Sealable	Yes
Hybrid Connector	No
Primary Locking Feature	Integrated in Housing

**Configuration Features**

Blank Cavity Position	1, 6
Number of Positions	6
Number of Rows	1

**Electrical Characteristics**

Operating Voltage	125 VAC
Nominal Voltage Architecture	12 V, 24 V, 42 V, 48 V, 80 V, 90 V, 125 V

**Body Features**

Cable Exit Angle	180°
Body Material	PBT GF
Primary Product Color	Black



Connector Code	A
----------------	---

### Contact Features

Contact Size	1.8mm
--------------	-------

### Mechanical Attachment

Mounting Feature	Without
------------------	---------

Terminal Position Assurance	No
-----------------------------	----

Strain Relief	Without
---------------	---------

Mating Alignment Type	Keyed
-----------------------	-------

Mating Alignment	With
------------------	------

Connector Mounting Type	Cable Mount (Free-Hanging)
-------------------------	----------------------------

### Housing Features

Centerline (Pitch)	5 mm [.197 in]
--------------------	----------------

### Dimensions

Product Width	24.8 mm [.976 in]
---------------	-------------------

Product Length	43.2 mm [1.7 in]
----------------	------------------

Product Height	27.6 mm [1.09 in]
----------------	-------------------

### Usage Conditions

Operating Temperature (Max)	70 °C, 75 °C, 80 °C, 85 °C, 90 °C, 100 °C, 105 °C, 110 °C, 120 °C, 125 °C [158 °F][167 °F][176 °F][185 °F][194 °F][212 °F][221 °F][230 °F][248 °F][257 °F]
-----------------------------	--

Operating Temperature Range	-40 – 125 °C [-40 – 257 °F]
-----------------------------	-----------------------------

### Industry Standards

Agency/Standard	IEC 529 IP 65/67
-----------------	------------------

UL Flammability Rating	UL 94HB
------------------------	---------

### Packaging Features

Packaging Quantity	800
--------------------	-----

Packaging Method	Package
------------------	---------

### Other

Serviceable	Yes
-------------	-----

Connector Position Assurance Capable	No
--------------------------------------	----

### Product Compliance



[For compliance documentation, visit the product page on TE.com>](#)

EU RoHS Directive 2011/65/EU	Compliant
EU ELV Directive 2000/53/EC	Compliant
China RoHS 2 Directive MIIT Order No 32, 2016	No Restricted Materials Above Threshold
EU REACH Regulation (EC) No. 1907/2006	Current ECHA Candidate List: JUNE 2022 (224) Candidate List Declared Against: JUL 2017 (174) SVHC > Threshold: Not Yet Reviewed
Halogen Content	Low Halogen - Br, Cl, F, I < 900 ppm per homogenous material. Also BFR/CFR/PVC Free
Solder Process Capability	Not applicable for solder process capability

Product Compliance Disclaimer

This information is provided based on reasonable inquiry of our suppliers and represents our current actual knowledge based on the information they provided. This information is subject to change. The part numbers that TE has identified as EU RoHS compliant have a maximum concentration of 0.1% by weight in homogenous materials for lead, hexavalent chromium, mercury, PBB, PBDE, DBP, BBP, DEHP, DIBP, and 0.01% for cadmium, or qualify for an exemption to these limits as defined in the Annexes of Directive 2011/65/EU (RoHS2). Finished electrical and electronic equipment products will be CE marked as required by Directive 2011/65/EU. Components may not be CE marked. Additionally, the part numbers that TE has identified as EU ELV compliant have a maximum concentration of 0.1% by weight in homogenous materials for lead, hexavalent chromium, and mercury, and 0.01% for cadmium, or qualify for an exemption to these limits as defined in the Annexes of Directive 2000/53/EC (ELV). Regarding the REACH Regulation, the information TE provides on SVHC in articles for this part number is based on the latest European Chemicals Agency (ECHA) 'Guidance on requirements for substances in articles' posted at this URL: <https://echa.europa.eu/guidance-documents/guidance-on-reach>

## Compatible Parts



TE Part # CAT-EC7491-T273  
Econoseal Receptacles and Tabs



TE Part # 184141-1  
WIRE SEAL,RUBBER,SENSOR,PURPLE, LIM



TE Part # 184140-1  
WIRE SEAL,RUBBER,SENSOR, ORANGE



TE Part # 171631-2  
070 TAB CONT GOLD




TE Part # 184030-3  
RECPT, CONTACT 070, PTPPHBZ



TE Part # 184452-1  
6 POS SSC PLUG ASSY, BLKD CKTS



TE Part # 184030-1  
RECPT, CONTACT 070, AUPHBZ



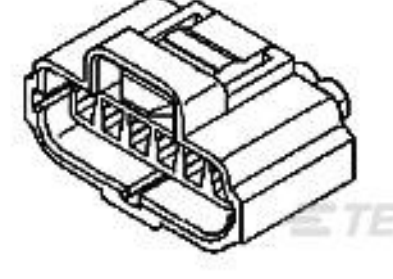
TE Part # 184095-2  
RECPT, CONTACT .070, PTPPHBZ



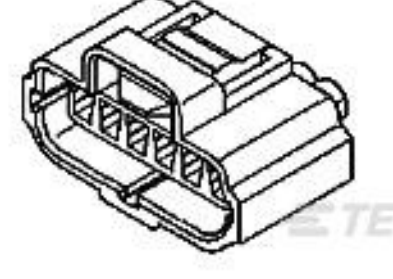
TE Part # 184139-1  
WIRE SEAL,RUBBER,SENSOR,BLUE



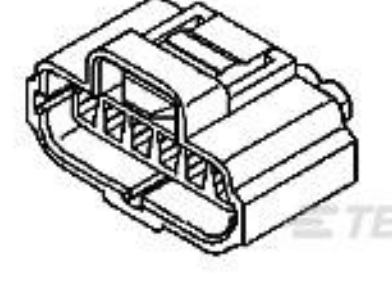
TE Part # 184373-2  
CONTACT, RECEPTACLE, .070 TYPE



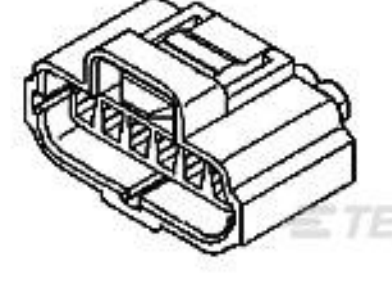
TE Part # 184126-1  
6 POS./6 CIRC. PLUG ASSY,KEY C



TE Part # 184128-1  
6 POS./6 CIRC. PLUG ASSY,KEY D



TE Part # 184134-1  
6 POS./4 CIRC PLUG ASSY, KEY C



TE Part # 184136-1  
6 POS./4 CIRC. PLUG ASSY,KEY D



TE Part # 184289-3  
RECPT, CONTACT 070, PTPPHBZ



TE Part # 184373-1  
CONTACT, RECEPTACLE, .070 TYPE




TE Part # 184341-1  
PLUG ASSY, SENSOR, 6 POS A-KEY



TE Part # 184289-1  
RECPT, CONTACT 070, AUPHBZ


Also in the Series | Sealed Sensor Connector SSC System




Automotive Connector Caps & Covers (7)



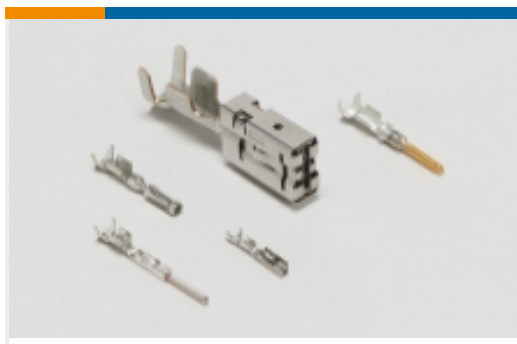
Automotive Connector Locks & Position Assurance(6)



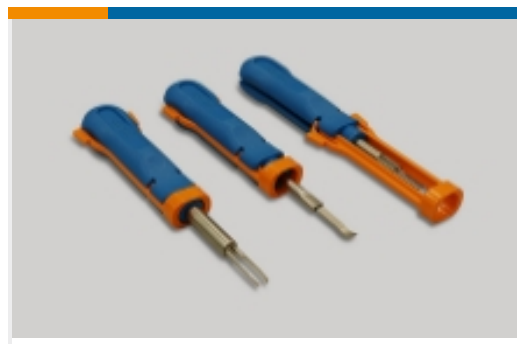
Automotive Housings(178)



Automotive Seals & Cavity Plugs(3)



Automotive Terminals(8)

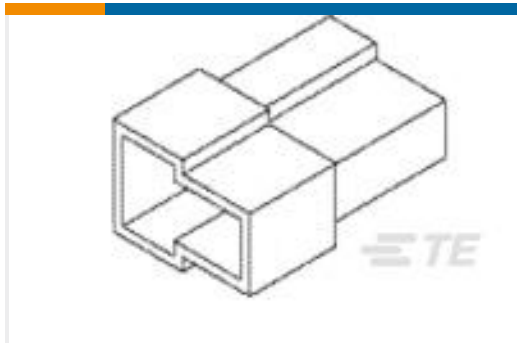
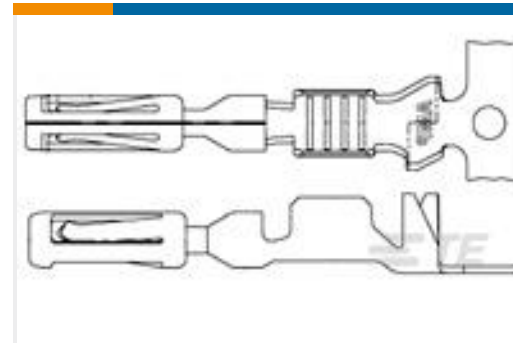


Insertion &amp; Extraction Tools(1)



Other Automotive Connector Accessories(7)

## Customers Also Bought

TE Part #180908  
FF 250 TAB HSG 2P NYLON NATTE Part #770680-2  
AMPSEAL Receptacle HousingsTE Part #770520-1  
AMPSEAL, TERMINAL, TIN PLATE, 16-20AWG WIRE

## Documents

### Product Drawings

#### 6 POS/4 CIRC. PLUG ASSY, KEY A

English

### CAD Files

#### 3D PDF

English

#### Customer View Model

[ENG\\_CVM\\_184026-1\\_G.2d\\_dxf.zip](#)

English

#### Customer View Model

[ENG\\_CVM\\_184026-1\\_G.3d\\_igs.zip](#)

English

#### Customer View Model

[ENG\\_CVM\\_184026-1\\_G.3d\\_stp.zip](#)

English

By downloading the CAD file I accept and agree to the [Terms and Conditions](#) of use.

### Product Specifications

#### Application Specification

English

### Instruction Sheets

#### Instruction Sheet (U.S.)

English

#### Positioning the Double Lock Plate



English